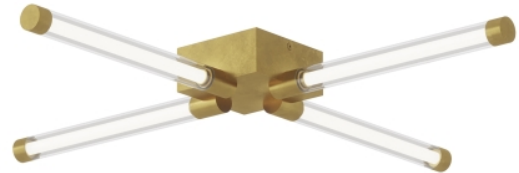


PHOBOS WIDE FLUSH MOUNT

PRODUCT FEATURES

- Laser etched tubing to diffuse light surrounded by clear borosilicate glass
- Fully dimmable integrated LED lamp
- Protected by a 5-year warranty. Please visit the "About Us" Page on techlighting.com for more for warranty details



LAMPING

Includes 120 or 277 volt 23.5 watts, 1000 delivered lumens, 90 CRI 2700K LED module. 120V dimmable with most LED compatible ELV and TRIAC dimmers. 277V dimmable with 0-10V dimmers. Ceiling mount only.

Natural Brass (Lit)



Natural Brass (Lit)

ORDERING INFORMATION

700FMPHB	LENGTH (A)	FINISH	LAMP
	28.28"	NB NATURAL BRASS	-LED927 INTEGRATED LED 90 CRI 2700K 120V -LED927-277 INTEGRATED LED 90 CRI 2700K 277V

700FMPHB

JOB NAME

NOTES

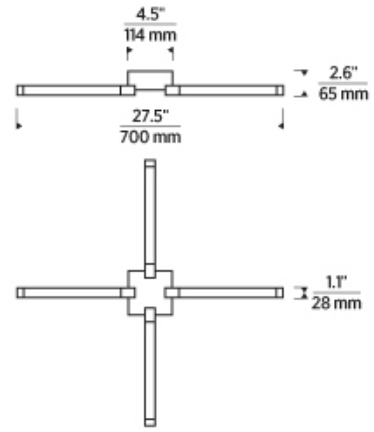


PHOBOS WIDE FLUSH MOUNT



SPECIFICATIONS

HARDWARE MATERIAL	Metal
SHADE MATERIAL	Glass
NET WEIGHT	5 lbs
HEIGHT	2.6in
WIDTH	27.5in
LENGTH	27.5in
UP LIGHT / DOWN LIGHT / BOTH?	
WET LISTED	
DAMP LISTED	Yes
DRY LISTED	
WALL / CEILING MOUNT	
GENERAL LISTING	ETL Listed
INCLUDES	



LAMPING SPECIFICATIONS

	LED LAMP	INTEGRATED LED	NON LED	NO LAMP
DELIVERED LUMENS		1000		
WATTS		23.5		
MAX WATTAGE PER BULB		23.5W		
INPUT VOLTAGE		120V 277V		
DIMMING TYPE*		ELV, TRIAC 0-10V		
CCT		2700K		
CRI		90 CRI		
LED LIFETIME		>50000		
L70				
AVERAGE BULB HOURS				
FIELD SERVICEABLE LED				
LAMP BASE		Integrated LED		
LAMP SHAPE		Integrated LED		
LAMP INCLUDED?		True		
WARRANTY**		5 Years		

* Dimming information available at www.techlighting.com/Downloads#dimming

** Visit techlighting.com for specific warranty limitations and details.

T20 / T24 / JA8 INFORMATION

	Integrated LED	Replacement LED Lamp	No Lamp *
This product can be used to comply with California Building Energy Efficiency Standards 2016 Title 24 Part 6 / JA8 .	Yes		
This product can be used to comply with California Appliance Efficiency Standards 2016 Title 20 and may be shipped to and sold in California.	N/A		

* If a light fixture or component does not include a lamp or light source, it is the responsibility of the customer to select a lamp that meets the T24 and T20 requirements.

