

# Orbet Chandelier

700ORB30, 700ORB36, 700ORB42 | 1.0

# TECH LIGHTING®

CHANDELIER

### GENERAL PRODUCT INFORMATION:

These fixtures are intended to be installed utilizing NEC compliant junction boxes.



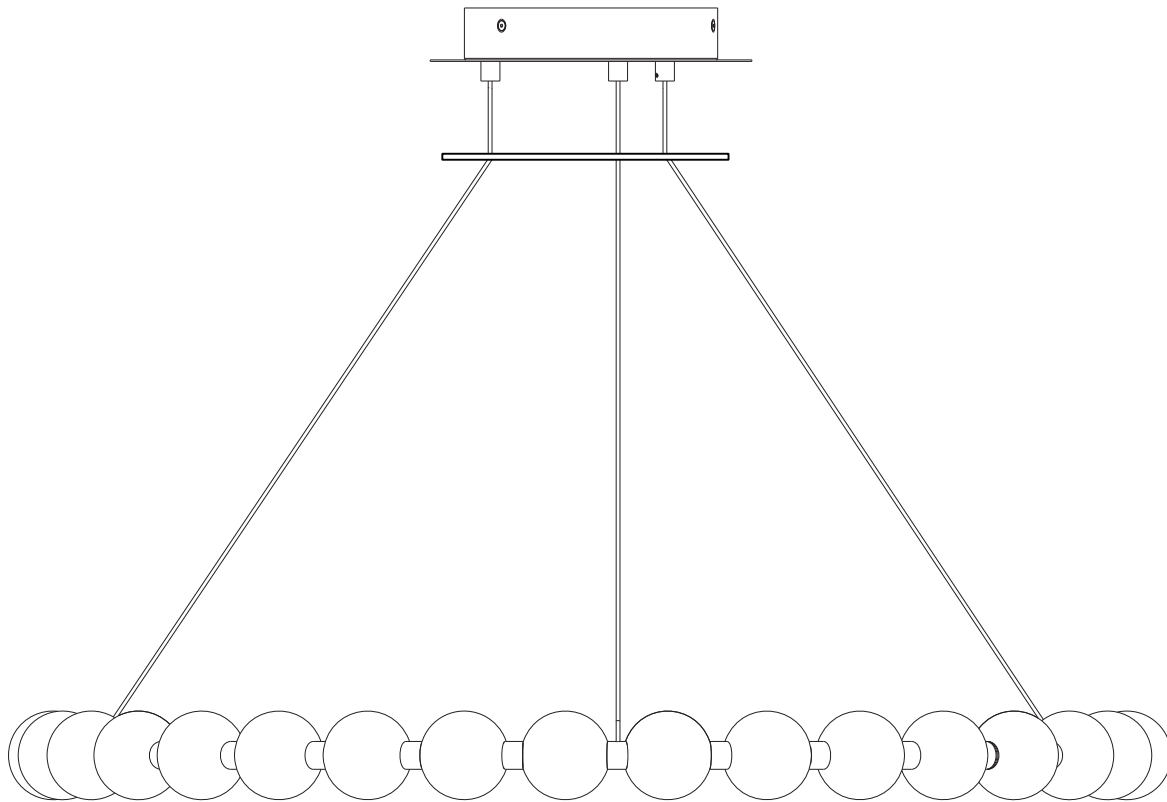
This product is suitable for damp locations.

This product can be dimmed with most ELV, TRIAC, or 0-10V dimmers.

This instruction shows a typical installation.

**CAUTION - RISK OF FIRE**  
This product must be installed in accordance with the applicable installation code by a person familiar with the construction and operation of the product and the hazards involved.  
**Use minimum 90°C supply conductors.**

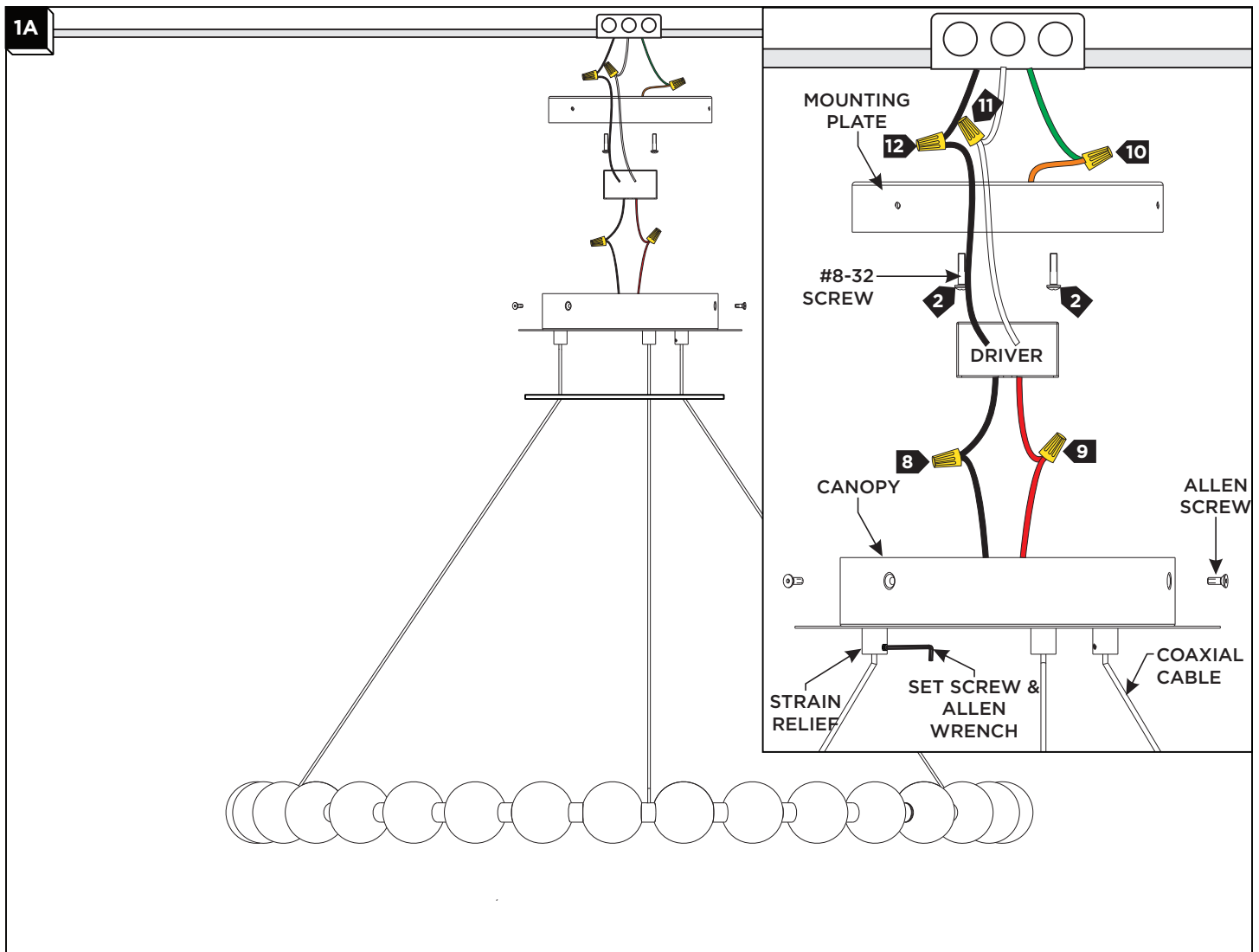
**SAVE THESE INSTRUCTIONS!**



TECH LIGHTING

7400 Linder Ave., Skokie, IL 60077  
T 847.410.4400 | F 847.410.4500  
www.techlighting.com

## Install the Fixture



- 1** Separate the mounting plate from the canopy by unscrewing/removing the Allen screws using the provided Allen wrench.
- 2** Secure the mounting plate to the electrical box with the two #8-32 screws provided.
- 3** Place the fixture on a level surface.
- 4** With the provided Allen wrench, loosen (do not remove) the set screws on the strain reliefs.
- 5** Evenly pull the coaxial cables up through the strain reliefs to raise the fixture to the desired height.  
NOTE: Take caution to not remove the inner bushing from inside the strain relief while pulling the coaxial cord through.
- 6** Ensure that the canopy is level and re-tighten the set screws on the strain reliefs.
- 7 SHORTENING THE COAXIAL CORDS:**
  - A** If shortening of the coaxial cords is necessary, take note of the wire connections from the coaxial cables to the driver and remove the wire nuts.
  - B** Leave 6" behind for wire connections, cut off the excess cord.
  - C** From the end of the cord, strip the insulation 4" using a sharp knife. Make sure not to nick the inner wires.
  - D** Strip the ends of the wires and reconnect the wires to their original connections using the wire nuts.
- 8** Connect the black/blue driver wire to the black/blue fixture wire with a wire nut.
- 9** Connect the red driver wire to the red fixture wire with a wire nut.
- 10** Connect the fixture to a suitable ground in accordance with local electrical codes.
- 11** Connect the white driver wire to the neutral power line wire with a wire nut.
- 12** Connect the black driver wire to the hot power line wire with a wire nut.
- 13** Place the canopy onto the mounting plate and secure it in place by screwing the reinstalling Allen screws using the provided Allen wrench.