



GENERAL PRODUCT INFORMATION:

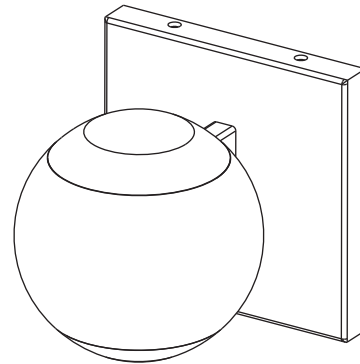
These fixtures are intended to be installed utilizing NEC compliant junction boxes.



This product is suitable for damp locations.

This product may be dimmed with a low-voltage electronic dimmer.

This instruction shows a typical installation.

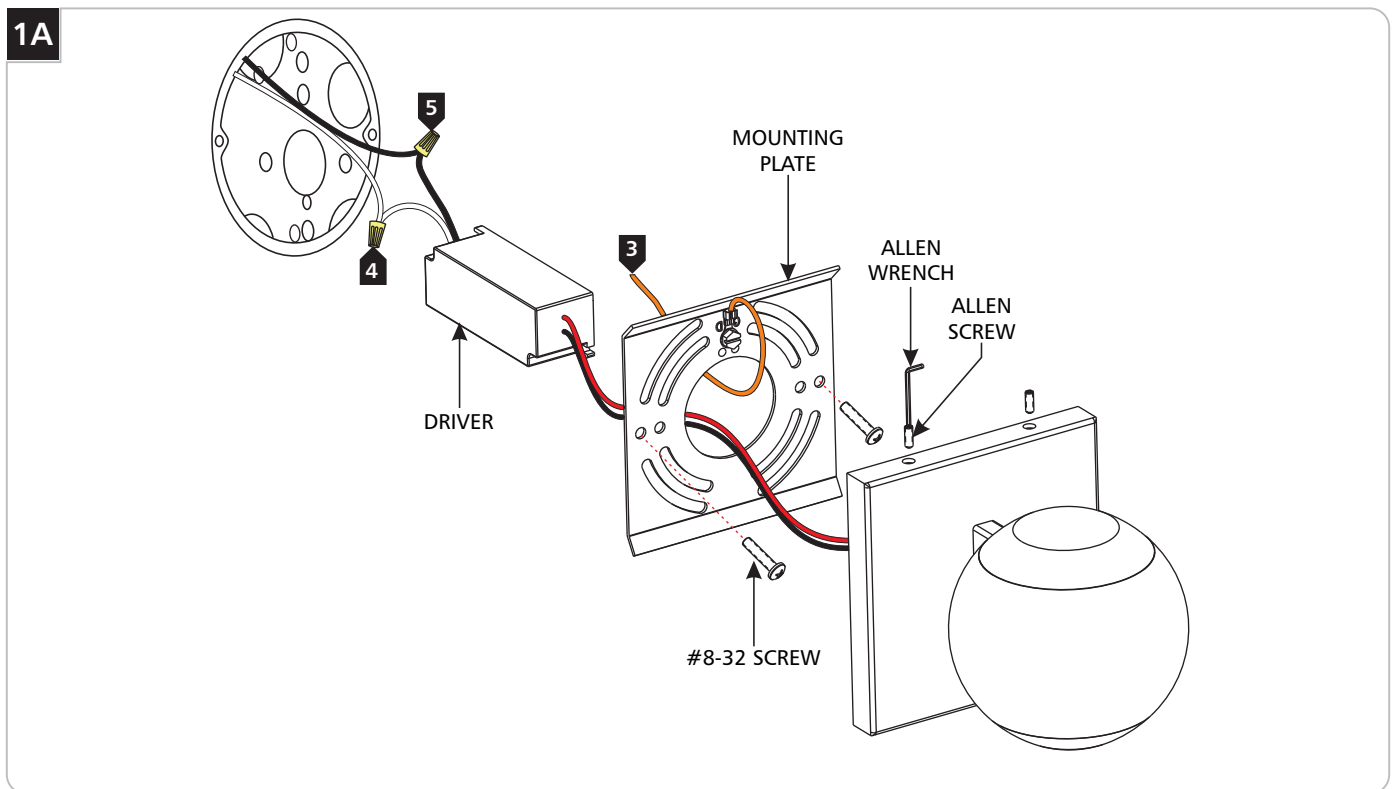


CAUTION - RISK OF FIRE

This product must be installed in accordance with the applicable installation code by a person familiar with the construction and operation of the product and the hazards involved.

Use minimum 90°C supply conductors.

Install the Fixture



- 1** With the provided Allen wrench, loosen (**do not remove**) the set screws on top of the fixture base.
- 2** Remove the mounting plate from the back of the fixture.
- 3** Connect the fixture to a suitable ground in accordance with local electrical codes.
- 4** Connect the white driver wire to the neutral power line.
- 5** Connect the black driver wire to the hot power line.
- 6** Properly place the driver, all wires, and wire nut connections into the electrical box, and attach the mounting plate to the electrical box using the two provided #8-32 screws.
- 7** Mount the fixture back onto the mounting plate and reinstall set screws (reversal of step 1A).

SAVE THESE INSTRUCTIONS!



TECH LIGHTING®

7400 Linder Ave, Skokie, IL 60077
847.410.4400

www.techlighting.com

© 2018 Tech Lighting, L.L.C. All rights reserved. The "Tech Lighting" graphic is a registered trademark of Tech Lighting, L.L.C. Tech Lighting reserves the right to change specifications for product improvements without notification.

A Generation Brands Company