

OKO 3-LIGHT BATH

PRODUCT FEATURES

- Charming contemporary yet whimsical design style
- White acrylic lenses allowing for abundant amounts of light wash
- Complementary wall sconce, 3-Light and 4-Light bath vanity
- Fully dimmable integrated LED lamp
- Available in two on-trend finishes, Satin Nickel and Aged Brass
- 5 year warranty with LED lamping option, visit techlighting.com for more warranty details



LAMPING

Includes 120 volt 35 watt, 2571 delivered lumens, 3000K LED module.
Dimmable with a low-voltage electronic dimmer.

Aged Brass



Aged Brass

Satin Nickel

ORDERING INFORMATION

| 700BCOKO | SHAPE OR SIZE | FINISH | LAMP |
|----------|---------------|--------------------------------|--|
| | 3 3 LIGHT | R AGED BRASS S SATIN NICKEL | -LED930 LED 90 CRI 3000K 120V -LED930-277 LED 90 CRI 3000K 277V |

700BCOKO _____

JOB NAME _____

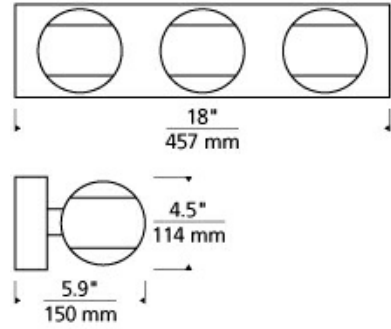
NOTES _____



OKO 3-LIGHT BATH

SPECIFICATIONS

| | |
|-------------------|------------|
| HARDWARE MATERIAL | Metal |
| SHADE MATERIAL | Steel |
| NET WEIGHT | 4.5 lbs |
| HEIGHT | 4.6in |
| WIDTH | 5.9in |
| LENGTH | 18in |
| WET LISTED | |
| DAMP LISTED | Yes |
| DRY LISTED | |
| GENERAL LISTING | ETL Listed |
| INCLUDES | |



LAMPING SPECIFICATIONS

| | LED LAMP | INTEGRATED LED | NON LED | NO LAMP |
|-----------------------|----------|---------------------|---------|---------|
| DELIVERED LUMENS | | 857 | | |
| WATTS | | 31 | | |
| MAX WATTAGE PER BULB | | 31W | | |
| INPUT VOLTAGE | | 120V 277V | | |
| DIMMING TYPE* | | ELV, TRIAC 0-10V | | |
| CCT | | 3000K | | |
| CRI | | 90 CRI | | |
| LED LIFETIME | | | | |
| L70 | | >50000 | | |
| AVERAGE BULB HOURS | | | | |
| FIELD SERVICEABLE LED | | | | |
| LAMP BASE | | Integrated LED | | |
| LAMP SHAPE | | Integrated LED | | |
| LAMP INCLUDED? | | Y | | |
| WARRANTY** | | 5 Years | | |

* Dimming information available at www.techlighting.com/Downloads#dimming

** Visit techlighting.com for specific warranty limitations and details.

T20 / T24 INFORMATION

| | Integrated LED | Replacement LED Lamp | No Lamp * |
|--|----------------|----------------------|-----------|
| This product can be used to comply with California Building Energy Efficiency Standards 2016 Title 24 Part 6. | Yes | | |
| This product can be used to comply with California Appliance Efficiency Standards 2016 Title 20 and may be shipped to and sold in California. | N/A | | |

* If a light fixture or component does not include a lamp or light source, it is the responsibility of the customer to select a lamp that meets the T24 and T20 requirements.

