

Nyra 28, 30, and 42 Chandelier

700NYR28, 700NYR30, 700NYR42 | 1.2

TECH LIGHTING® CHANDELIERS

GENERAL PRODUCT INFORMATION:

This product is suitable for damp locations.

These fixtures are intended to be installed utilizing NEC compliant junction boxes.

This product can be dimmed with most ELV dimmers.

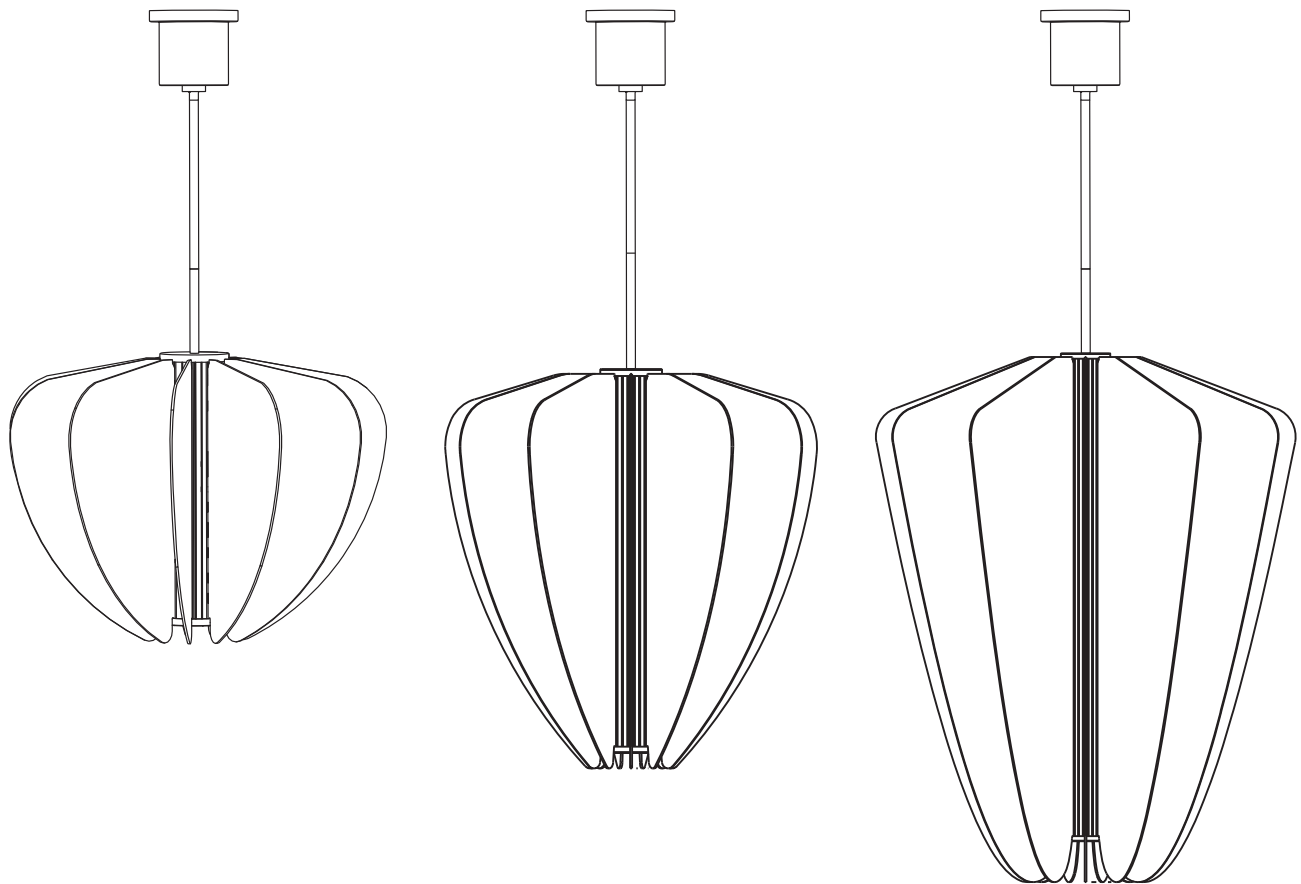
This instruction shows a typical installation.



CAUTION - RISK OF FIRE
This product must be installed in accordance with the applicable installation code by a person familiar with the construction and operation of the product and the hazards involved.
Use minimum 90°C supply conductors.

SAVE THESE INSTRUCTIONS!

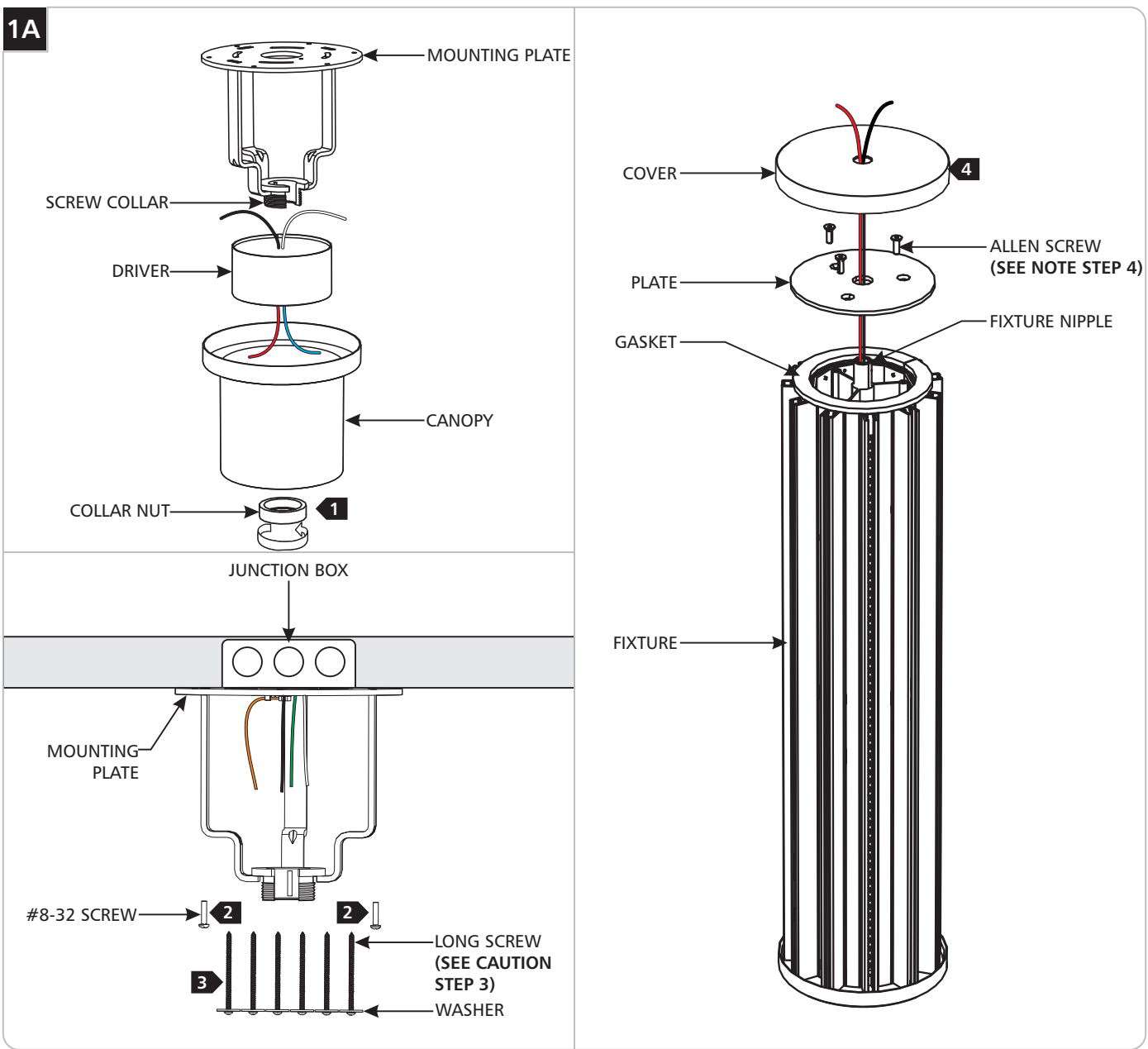
TWO PERSON INSTALLATION RECOMMENDED



TECH LIGHTING®
7400 Linder Ave., Skokie, IL 60077
T 847.410.4400 | F 847.410.4500
www.techlighting.com

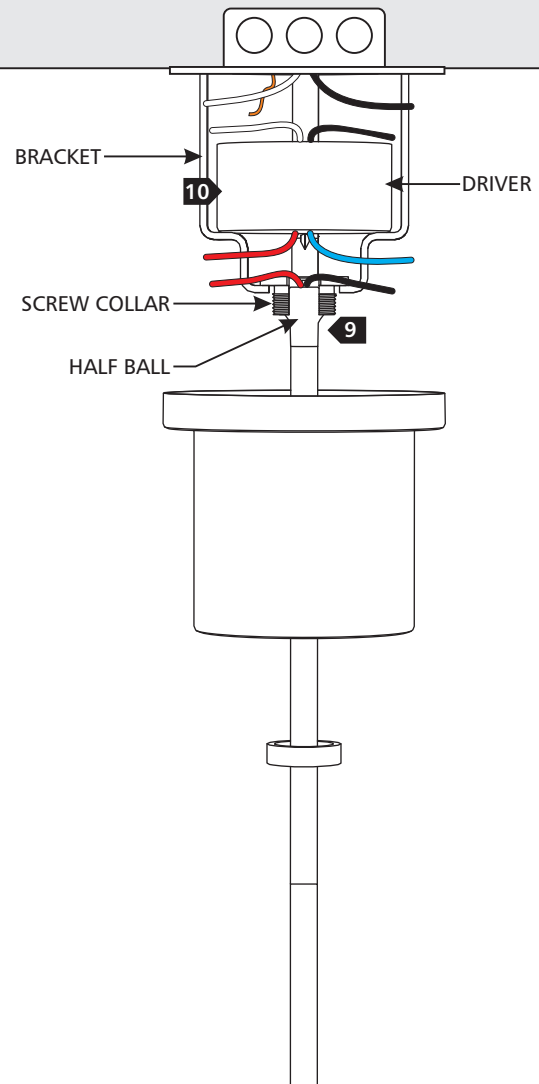
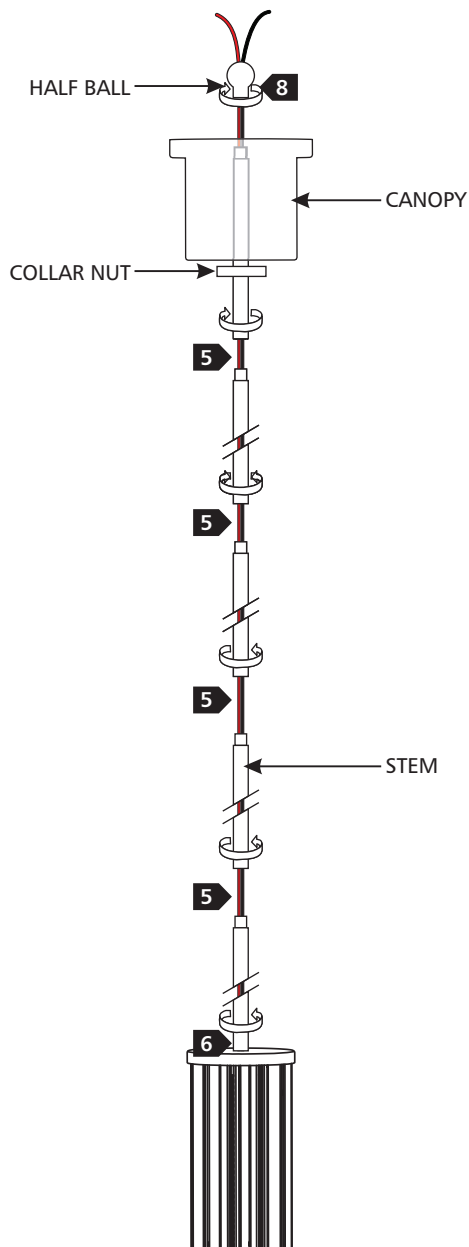
Install the Fixture

1A

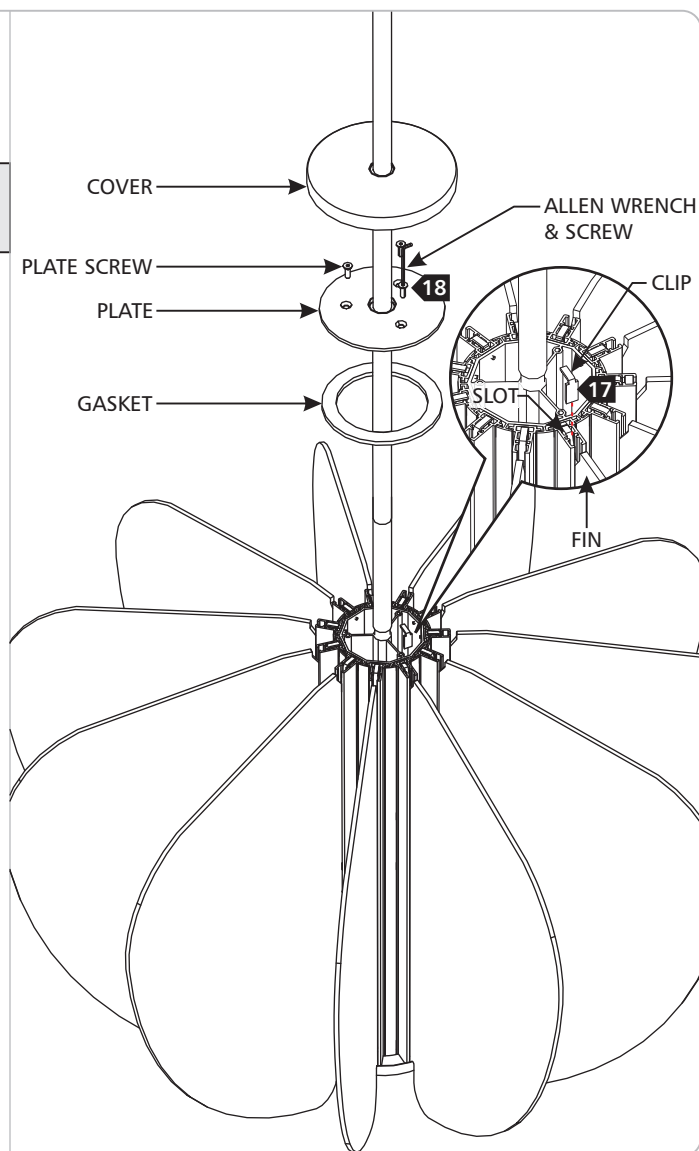
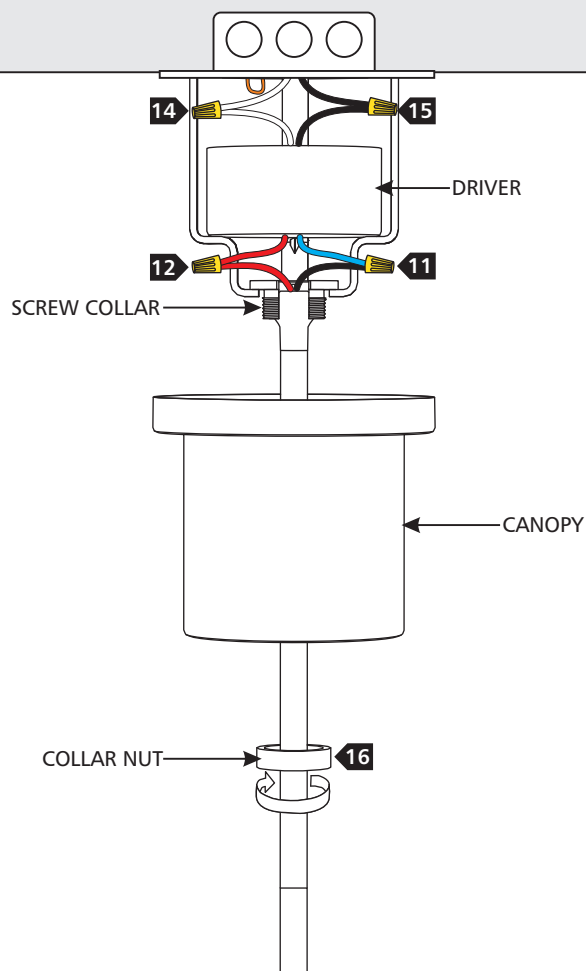


- 1 Unscrew the collar nut from the screw collar on the mounting plate. Remove the mounting plate and driver from the canopy.
- 2 Install the mounting plate to the electrical box with the #8-32 screws provided.
- 3 Secure the mounting plate with the long screws and washers. **CAUTION: Long screws must be screwed into a solid structure capable of supporting 100 lbs.**
- 4 Feed the fixture wires through the gasket, plate and cover, then place them on the fixture nipple. **NOTE: Do not secure plate with Allen screws at this time.**

1B



- 5** Determine the desired height of the fixture using the provided stems and assemble them by screwing them together.
- 6** Feed the fixture wires through the stem assembly, then screw the stem assembly onto the stem.
- 7** Feed the fixture wires through the collar nut and canopy, then slide them onto the stem assembly.
- 8** Feed the fixture wires through half ball and screw it onto the top of the stem assembly.
- 9** Slide the half ball into the screw collar on the mounting plate ensuring that it properly drops to the bottom of the collar.
- 10** Place the driver in the mounting plate brackets.

1C

- 11** Connect the black/blue driver wire to the black/blue fixture wire with a wire nut.
- 12** Connect the red driver wire to the red fixture wire with a wire nut.
- 13** Connect the fixture to a suitable ground in accordance with local electrical codes.
- 14** Connect the white driver wire to the neutral power line with a wire nut.
- 15** Connect the black driver wire to the hot power line with a wire nut.
- 16** Neatly place the all wires and wire nut connections inside the canopy, place the canopy onto the mounting plate, and secure in place by screwing the collar nut onto the screw collar.
- 17** Carefully slide the top cover, plate, and gasket up to access center of fixture, then install the fins by inserting them into the fixture slots and securing in place using the clips.
- 18** Carefully slide the plate and gasket down, then secure the plate to the top of the fixture using the three Allen screws using the provided Allen wrench. Slide the cover back down.