

NYRA 30 CHANDELIER

PRODUCT FEATURES

- The Nyra Collection is a modern and artful collection featuring geometrically shaped acrylic LED panels.
- Offered in two finishes, Plated Brass and Nightshade Black and available in three sizes, 28", 30" and 42". Nyra Collection also includes 60" and 70" Linear Suspensions
- Smooth panels of light guide technology produce an ample amount of general illumination
- Dimmable with most LED compatible ELV, Triac and 0-10V dimmers
- Includes (4) 12" and (2) 6" rigid stems in coordinating finish
- Protected by a 5-year warranty. please visit the "About Us" Page on techlighting.com for more for warranty details



Plated Brass



Plated Brass

Nightshade Black

Brass

Black

LAMPING

Includes 61.8 watts, 4632 total delivered lumens, 3000K LED modules. Dimmable with most LED compatible ELV and Triac dimmers. Ships with (4) 12" and (2) 6" rigid stems in coordinating finish. Can be installed on a sloped ceiling up to 35°. 120V-277V.

ORDERING INFORMATION

| 700NYR | SHAPE OR SIZE | FINISH | LAMP |
|--------|-----------------|---------------------------------------|---|
| | 30 30" DIAMETER | B NIGHTSHADE BLACK BR PLATED BRASS | -LED930 INTEGRATED LED 90 CRI 3000K 120V-277V UNV |

700NYR _____

JOB NAME _____

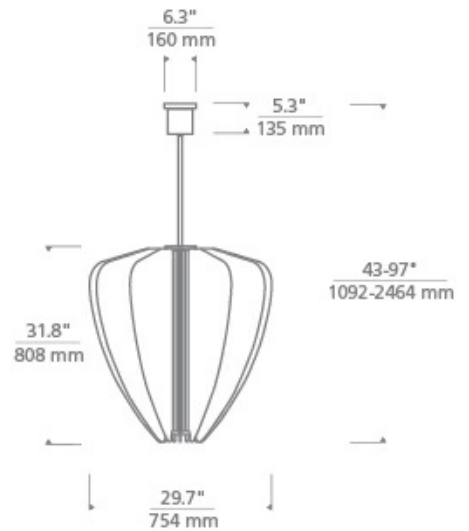
NOTES _____



NYRA 30 CHANDELIER

SPECIFICATIONS

| | |
|-------------------------------|-------------|
| HARDWARE MATERIAL | Metal |
| SHADE MATERIAL | Acrylic |
| NET WEIGHT | 45 lbs |
| HEIGHT | 31.8in |
| WIDTH | 29.9in |
| LENGTH | 29.9in |
| UP LIGHT / DOWN LIGHT / BOTH? | |
| WET LISTED | |
| DAMP LISTED | Yes |
| DRY LISTED | |
| MIN. HANGING HEIGHT | 43in |
| MAX HANGING HEIGHT | 97in |
| TOTAL CORD LENGTH | |
| TOTAL STEM LENGTH | Up to 60in |
| STEM QTY | 6 |
| SLOPED CEILING ADAPTABLE? | Yes 35° Max |
| GENERAL LISTING | ETL Listed |
| INCLUDES | |



LAMPING SPECIFICATIONS

| | LED LAMP | INTEGRATED LED | NON LED | NO LAMP |
|-----------------------|----------|---------------------|---------|---------|
| DELIVERED LUMENS | | 4632 | | |
| WATTS | | 61.8 | | |
| MAX WATTAGE PER BULB | | 61.8W | | |
| INPUT VOLTAGE | | Universal 120V-277V | | |
| DIMMING TYPE* | | ELV, TRIAC | | |
| CCT | | 3000K | | |
| CRI | | 90 CRI | | |
| LED LIFETIME | | | | |
| L70 | | >50000 | | |
| AVERAGE BULB HOURS | | | | |
| FIELD SERVICEABLE LED | | | | |
| LAMP BASE | | Integrated LED | | |
| LAMP SHAPE | | Integrated LED | | |
| LAMP INCLUDED? | | True | | |
| WARRANTY** | | 5 Years | | |

*Dimming information available at www.techlighting.com/Downloads#dimming
 ** Visit techlighting.com for specific warranty limitations and details.

T20 / T24 INFORMATION

| | Integrated LED | Replacement LED Lamp | No Lamp * |
|--|----------------|----------------------|-----------|
| This product can be used to comply with California Building Energy Efficiency Standards 2016 Title 24 Part 6. | Yes | | |
| This product can be used to comply with California Appliance Efficiency Standards 2016 Title 20 and may be shipped to and sold in California. | N/A | | |

* If a light fixture or component does not include a lamp or light source, it is the responsibility of the customer to select a lamp that meets the T24 and T20 requirements.

