

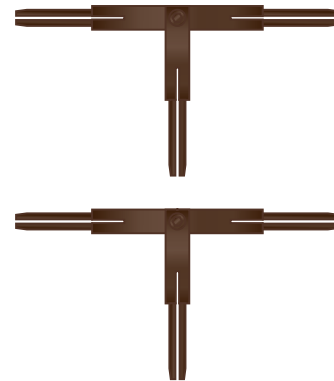
# T Conductive Connectors



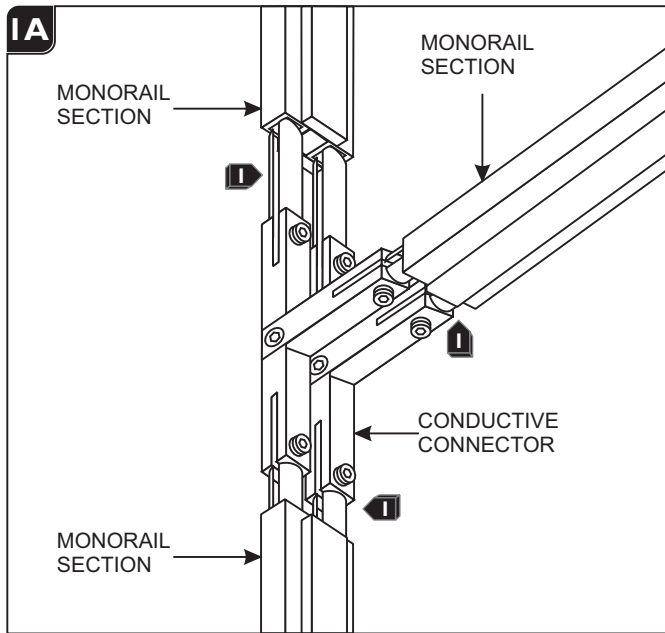
## MONORAIL

### GENERAL PRODUCT INFORMATION:

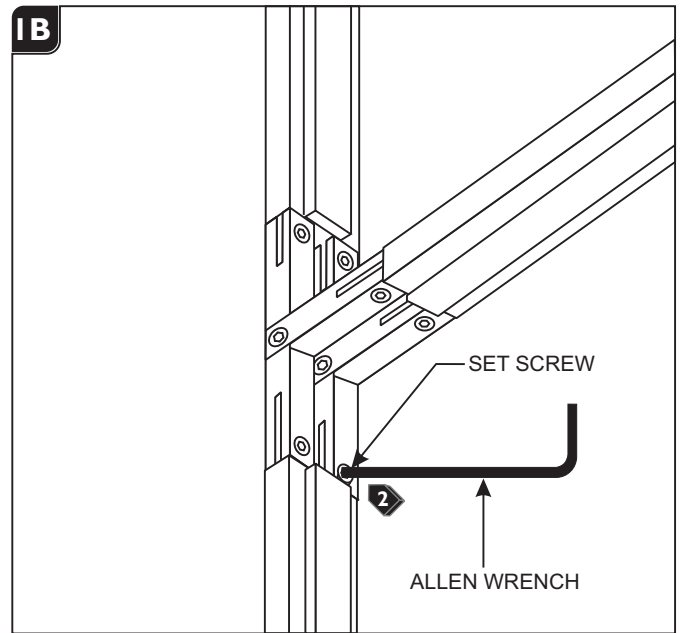
This product is suitable for dry locations only.



## Install the Conductive Connectors



**1** Push the three Monorail sections completely onto the two T conductive connectors



**2** Tighten all the set screws with the Allen wrench provided. Make sure all set screw connections are tight for a proper power connection and to prevent heat build up.

**SAVE THESE INSTRUCTIONS!**



7400 Linder Ave, Skokie, IL 60077  
847.410.4400

[www.techlighting.com](http://www.techlighting.com)

© 2020 Tech Lighting, L.L.C. All rights reserved.  
Visual Comfort & Co.