

Single Feed Surface Magnetic Transformer

700MOSRT75D_-LED 1.1



SURFACE TRANSFORMERS

GENERAL PRODUCT INFORMATION:



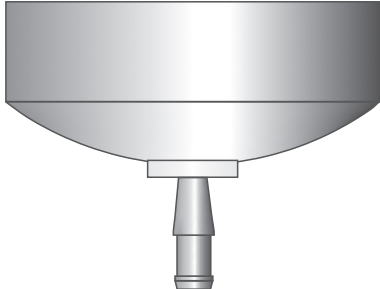
This product is ETL listed and suitable only for indoor dry locations and approved for use at any height above the finished floor.

A typical installation is shown. Specific installation must be in accordance with local electrical codes.

This product is dimmable with a low-voltage magnetic dimmer.

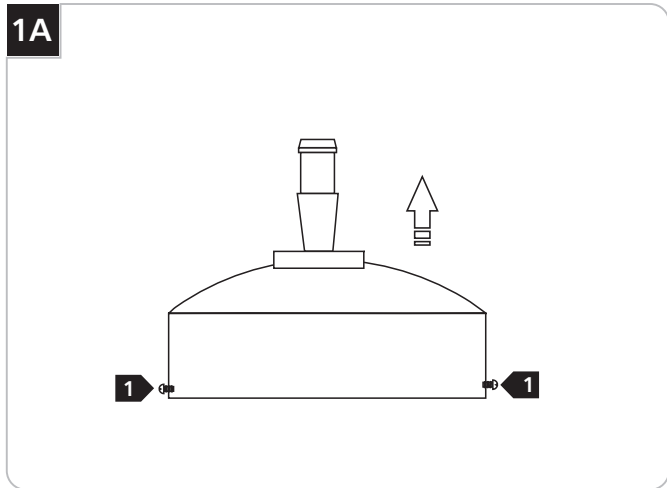
This product is intended for use with Tech Lighting low voltage lighting systems only.

Read all instructions thoroughly. Read "Important Safety Information" on page 3 before proceeding with the installation.

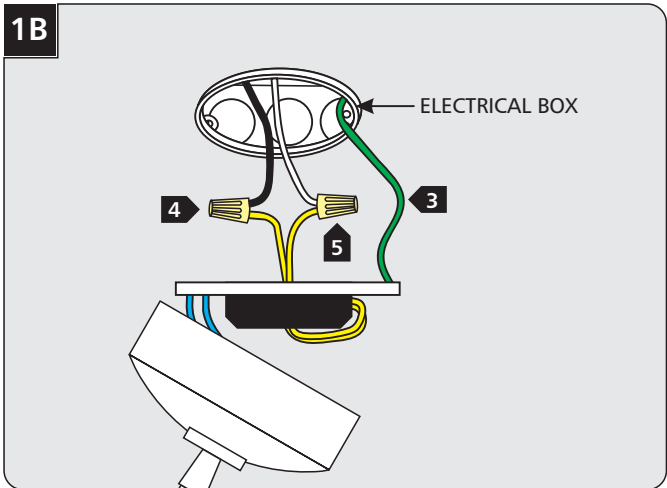


CAUTION — RISK OF FIRE
 This product requires installation by a qualified electrician. Before installing be sure to read all instructions and **DISCONNECT POWER TO THE ELECTRICAL BOX.**

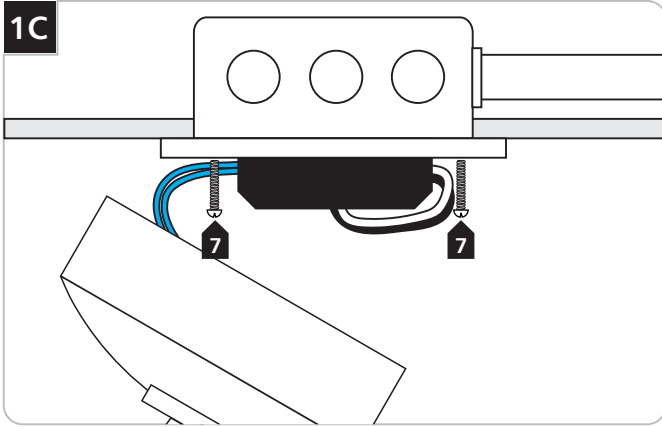
Install the Transformer



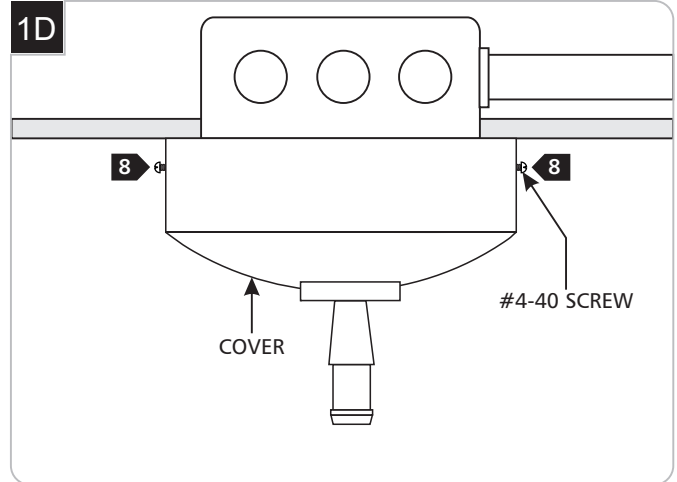
- 1** On the side of the transformer dome cover, remove the #4-40 screws with a Phillips head screwdriver.
- 2** Lift the dome cover off of the transformer housing.



- 3** Connect the ground wire to a suitable ground in accordance with local electrical codes. **Do not pass the ground wire through the center of the transformer!**
- 4** Connect one of the yellow transformer wires to the hot power line wire with a wire nut.
- 5** Connect the other yellow transformer wire to the neutral power line wire with a wire nut.

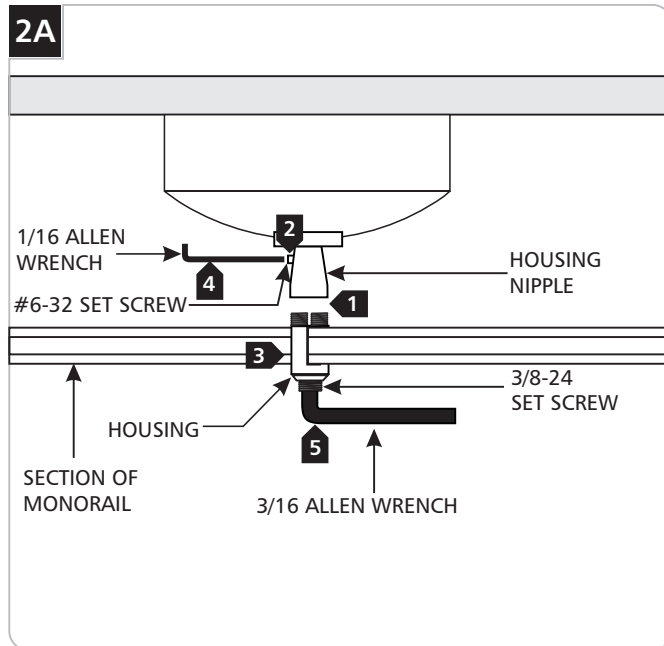


- 6** Place all power line wires and wire nut connections properly into the electrical box.
- 7** Mount backplate to the electrical box with the provided two #8-32 round head screws.



- 8** Line up the cover holes with the backplate holes. Replace and tighten the two #4-40 screws.

Connect the Transformer to the MonoRail



- 1 Unscrew the housing from the housing nipple.
- 2 Loosen the #6-32 set screw on the housing nipple with the 1/16 Allen wrench.
- 3 Place the MonoRail into the housing. Screw the housing nipple to the housing tight by twisting the housing nipple clockwise.
- 4 Tighten the #6-32 set screw on the housing nipple with the 1/16 Allen wrench.
- 5 Tighten the 3/8-24 set screw on the bottom of the housing with the 3/16 Allen wrench.

Important Safety Information

Do not conceal or extend bus bar conductors through a building wall.

To reduce the risk of fire and burns, do not install this lighting system where the uninsulated open bus bar conductors can be shorted or contact any conductive materials.

To reduce the risk of the system overheating and possibly causing a fire, make sure all the connections are tight.

Do not install fixture assemblies closer than six inches to curtains or similarly combustible materials.

Turn the electrical power off before modifying the lighting system in any way.

The fixtures used with the system must be identified to be used with the corresponding system.

Minimum volume of the electrical box must be 6 cubic inches (98 cubic centimeter).

Load the circuit of the remote transformers to no more than the maximum rated capacity as specified.

SAVE THESE INSTRUCTIONS!



TECH LIGHTING®

7400 Linder Ave, Skokie, IL 60077

847.410.4400

www.techlighting.com

© 2008 Tech Lighting, L.L.C. All rights reserved. The "Tech Lighting" graphic is a registered trademark of Tech Lighting, L.L.C. Tech Lighting reserves the right to change specifications for product improvements without notification.

A Generation Brands Company