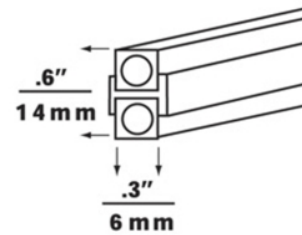
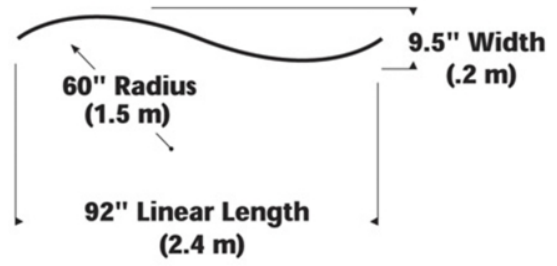


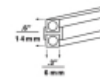
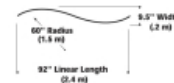
PRODUCT FEATURES



LAMPING

Consult the drawing for approximate dimensions. For a factory bend not shown, please call for a custom quotation.

Satin



Satin

ORDERING INFORMATION

700MOBHSC60 SHAPE OR SIZE	LENGTH (A)	COLOR	FINISH
PRE-BENT S-CURVE	92"	BR BROWN CLEAR	Z ANTIQUE BRONZE S SATIN NICKEL

700MOBHSC60 _____

JOB NAME _____

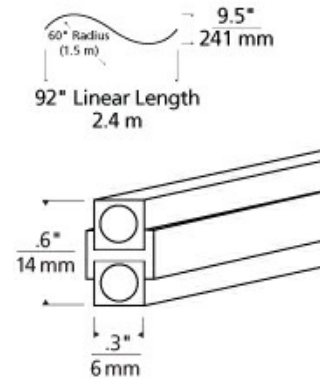
NOTES _____



PRE-BENT S CURVE MONORAIL

SPECIFICATIONS

HARDWARE MATERIAL	
SHADE MATERIAL	
NET WEIGHT	1.1 lbs
HEIGHT	0.6in
WIDTH	0.3in
LENGTH	0in
WET LISTED	
DAMP LISTED	
DRY LISTED	
GENERAL LISTING	ETL Listed
INCLUDES	



LAMPING SPECIFICATIONS

	LED LAMP	INTEGRATED LED	NON LED	NO LAMP
DELIVERED LUMENS				
WATTS				
MAX WATTAGE PER BULB				
INPUT VOLTAGE			0V	
DIMMING TYPE*				
CCT				
CRI				
LED LIFETIME				
L70				
AVERAGE BULB HOURS				
FIELD SERVICEABLE LED				
LAMP BASE				
LAMP SHAPE				
LAMP INCLUDED?			Y	
WARRANTY**			1 Year	

*Dimming information available at www.techlighting.com/Downloads#dimming
 ** Visit techlighting.com for specific warranty limitations and details.

T20 / T24 INFORMATION

	Integrated LED	Replacement LED Lamp	No Lamp *
This product can be used to comply with California Building Energy Efficiency Standards 2016 Title 24 Part 6.			N/A
This product can be used to comply with California Appliance Efficiency Standards 2016 Title 20 and may be shipped to and sold in California.			N/A

* If a light fixture or component does not include a lamp or light source, it is the responsibility of the customer to select a lamp that meets the T24 and T20 requirements.

