

# Milo Suspension

700TDMILO\_

1.0



## PENDANTS

### GENERAL PRODUCT INFORMATION:



This product is suitable for damp locations.

This product can be dimmed with a standard incandescent dimmer.

This instruction shows a typical installation.

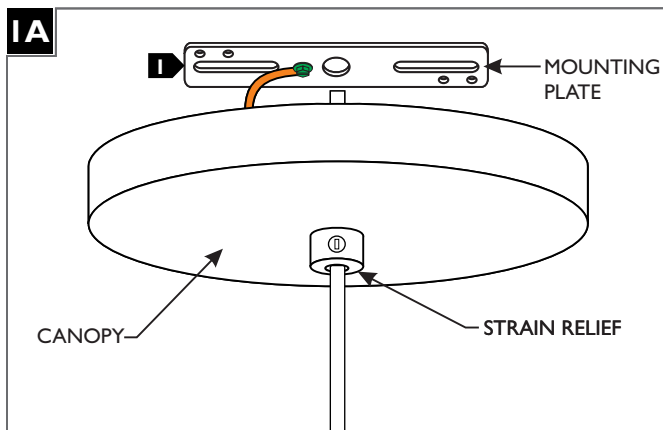
#### CAUTION - RISK OF FIRE

This product must be installed in accordance with the applicable installation code by a person familiar with the construction and operation of the product and the hazards involved.

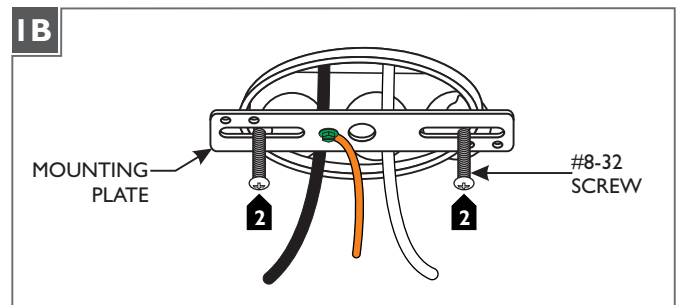
Use minimum 90°c supply conductors.



## Install the Mounting Plate

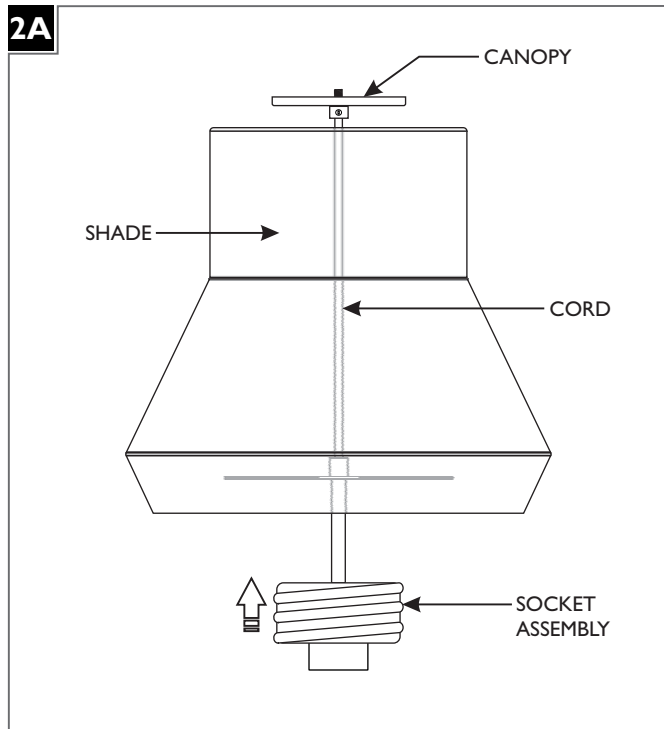


- 1** Remove the mounting plate from the canopy by completely unscrewing the mounting plate from the strain relief.

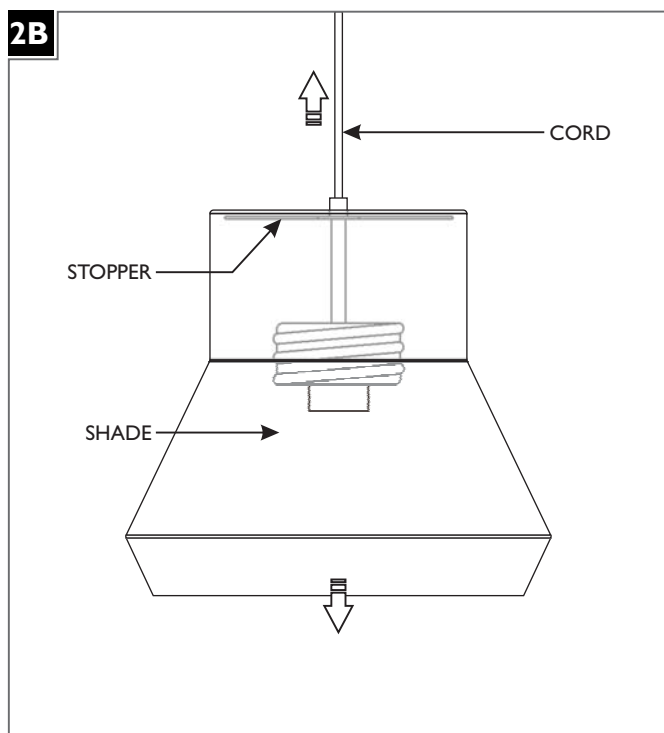


- 2** Mount the mounting plate assembly to the electrical box with the two provided #8-32 screws.

## Assemble the Fixture

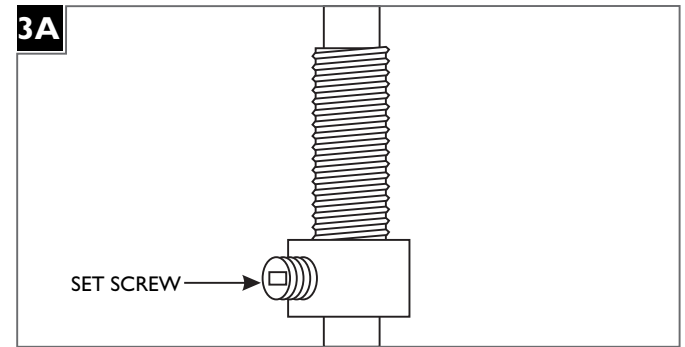


- 1 Feed the canopy, cord, and socket assembly through the shade.

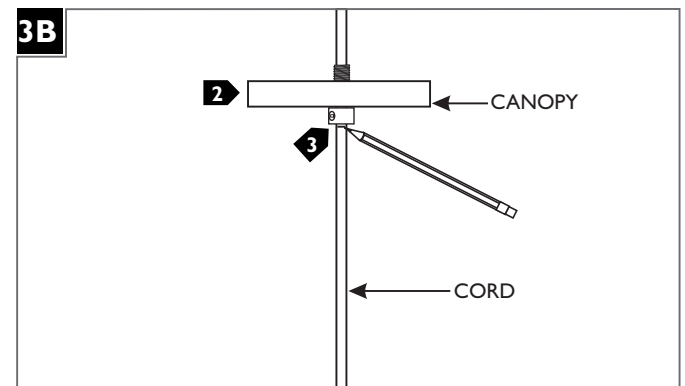


- 2 Simultaneously pull the cord upward while carefully lowering the shade onto the stopper.

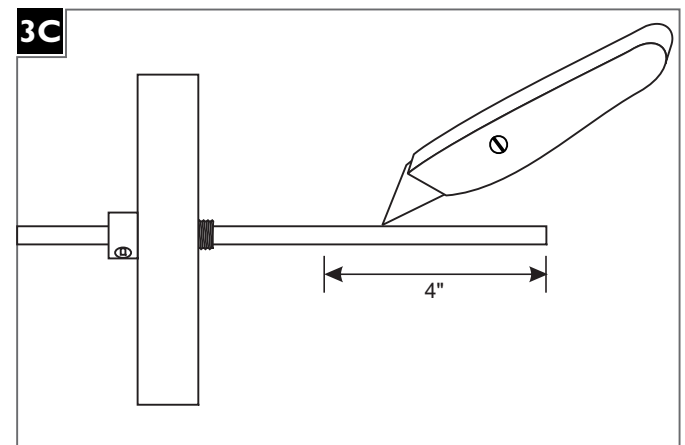
## Install the Fixture



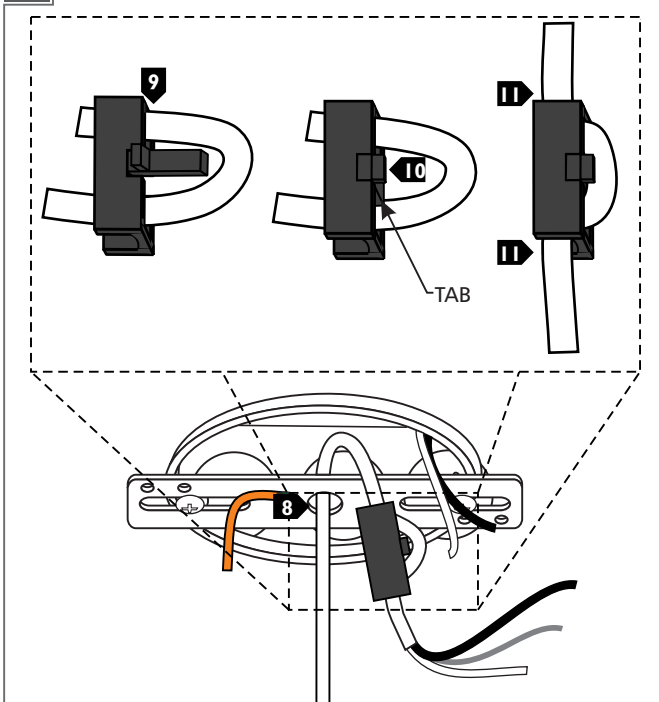
- 1 Loosen (**Do Not Remove**) the set screw on the strain relief.



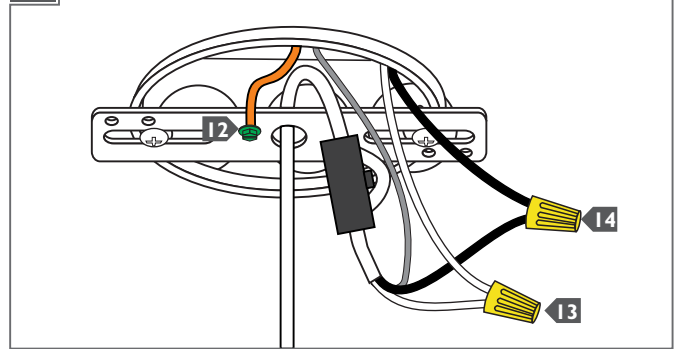
- 2 Adjust the fixture height (from bottom of the fixture shade to top of the canopy) by moving the canopy and strain relief up or down.
- 3 When the desired height is achieved, tighten the set screw on the strain relief.
- 4 Mark the cord underneath the strain relief.



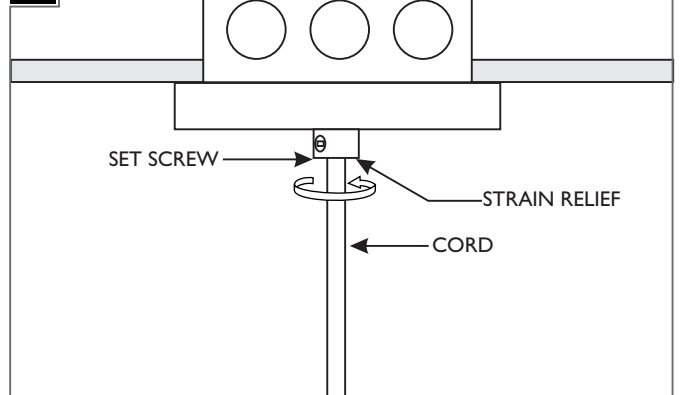
- 5 Leave 6" of the cord behind the canopy for power connections. Cut the excess cord.
- 6 From the end of the cord, strip the insulation 4" using a sharp knife. **Make sure not to nick the inner wires.**
- 7 Strip the end of the wires.

**3D**

- 8** Feed the fixture wires through the mounting plate center hole and then pull them out of the electrical box. **Note:** If the cord has a cloth cover, peel back or remove the cloth where the secondary strain relief is installed.
- 9** Install the secondary strain relief by first feeding the power cord through it.
- 10** Snap the strain relief tab into place.
- 11** Pull the cord to take up the slack and fit the rest of the cord in the strain relief's openings.

**3E**

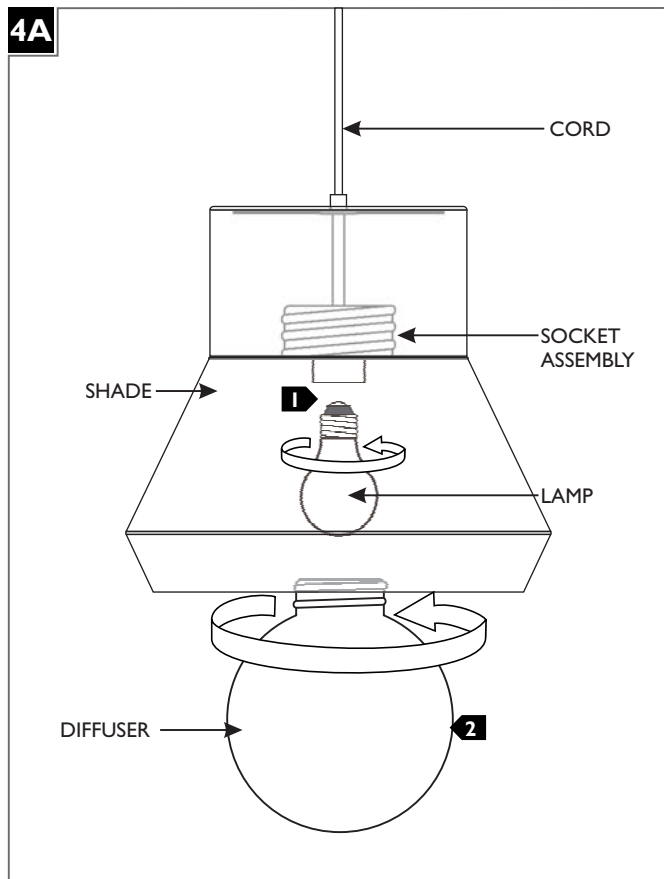
- 12** Connect the mounting plate and the fixture ground wire to a suitable ground in accordance with local electrical codes.
- 13** Connect the insulated wire with the white tracer to the neutral power line wire with a wire nut.
- 14** Connect the other insulated wire to the hot power line wire with a wire nut.

**3F**

**NOTE:** It is recommended that one person hold the fixture while the electrician finishes the installation.

- 15** Place all wires, wire nut connections, and the secondary strain relief properly inside the electrical box.
- 16** Loosen the set screw on the primary strain relief.
- 17** Align the canopy center hole with the mounting plate center hole.
- 18** Slide the canopy up against the ceiling and secure it in place by tightening the primary strain relief into the crossbar. **Do not turn the cord.**
- 19** Push the cord into the canopy and line up the marked point on the cord with bottom of the primary strain relief.
- 20** Tighten the plastic set screw to secure the cord.

## Install the Lamp and Diffuser



**CAUTION:** To reduce the risk of a burn or electric shock during relamping, disconnect the power to the fixture.

Use **MAX** 120 volt **100 Watt**  
Type A19 Medium Base Lamp.



- 1** Reach inside the shade and screw the lamp into the socket.
- 2** Install the diffuser to the socket assembly by screwing it in.
- 3** To re-lamp, reverse this section.

**SAVE THESE INSTRUCTIONS!**



**TECH LIGHTING®**

7400 Linder Ave, Skokie, IL 60077

847.410.4400

[www.techlighting.com](http://www.techlighting.com)

© 2018 Tech Lighting, L.L.C. All rights reserved. The "Tech Lighting" graphic is a registered trademark of Tech Lighting, L.L.C. Tech Lighting reserves the right to change specifications for product improvements without notification.

A Generation Brands Company