

# Manette Pendant

700\_MAN\_ 1.0



**GENERAL PRODUCT INFORMATION:**

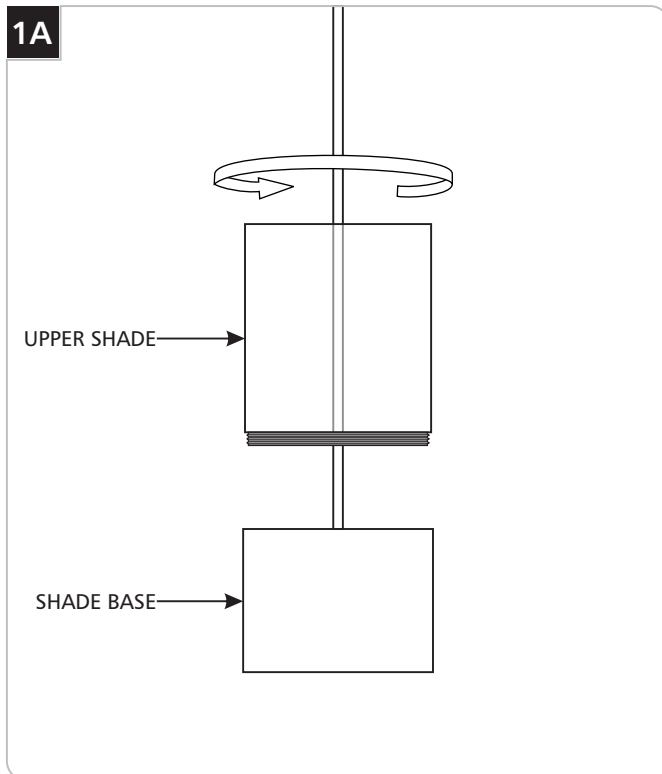


This product is ETL listed and suitable only for indoor dry locations and approved for use at any height above the finished floor.

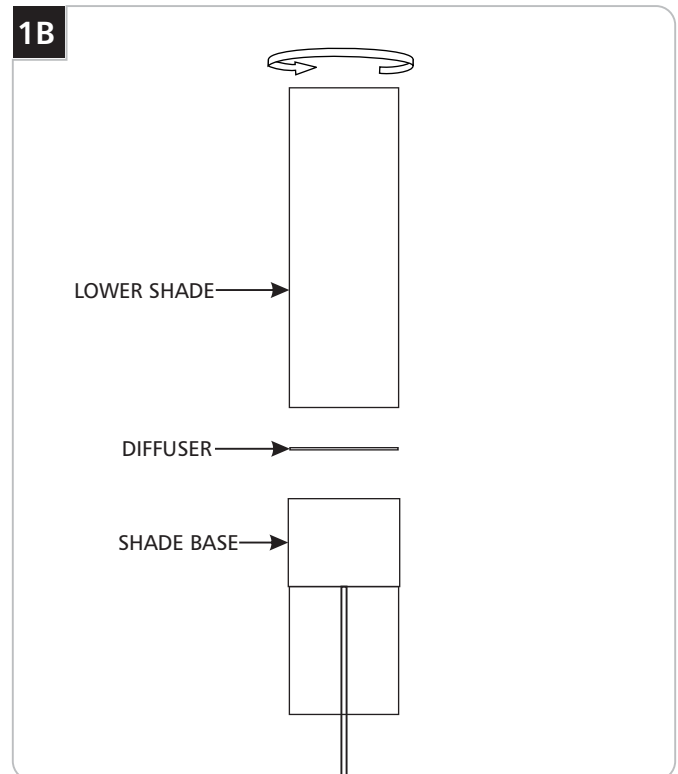
This product is patented (U.S. PAT. 6,183,297).



## Assemble the Fixture

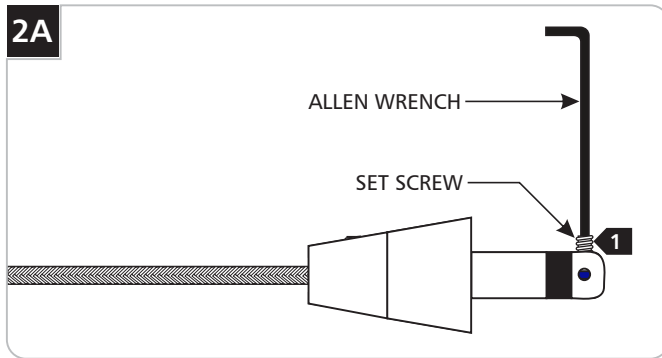


**1** Screw the (shorter) upper shade firmly into the shade base.

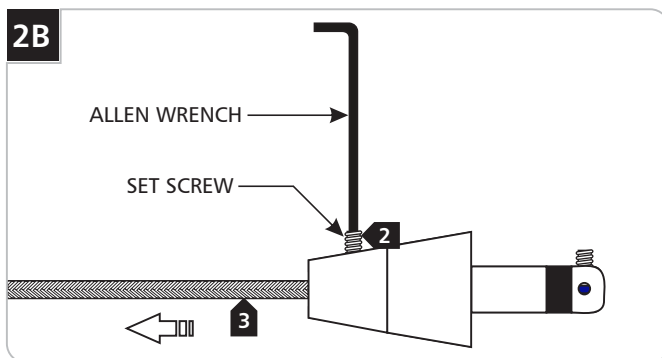


**2** Rotate the fixture upside down, place the diffuser into the shade base, and completely screw the (longer) lower shade into the base.

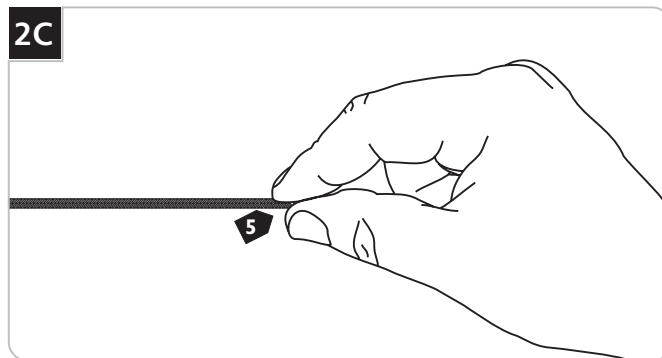
## Adjust The Fixture Height



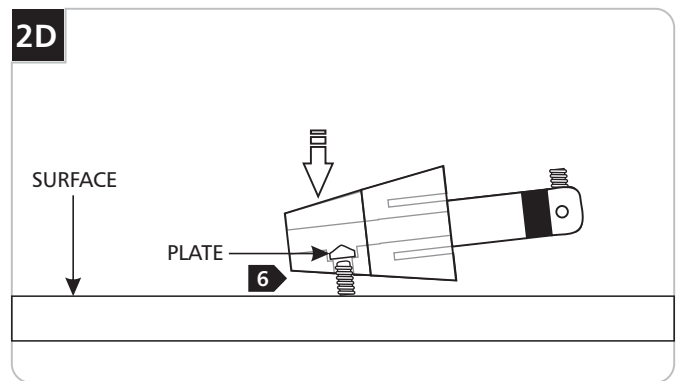
- 1 Back out (do not remove) the set screw on tip of the connector with the provided Allen wrench.



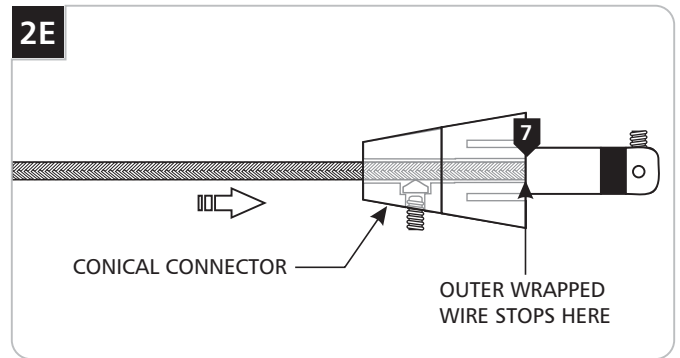
- 2 Back out (do not remove) the set screw on the conical connector with the provided Allen wrench.
- 3 Pull the coaxial cable out.



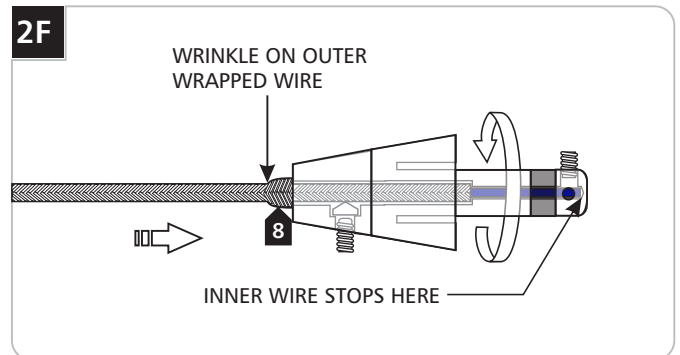
- 4 Cut the coaxial cable to the desired length.
- 5 Gently twist the end of the coaxial cable between thumb and forefinger.



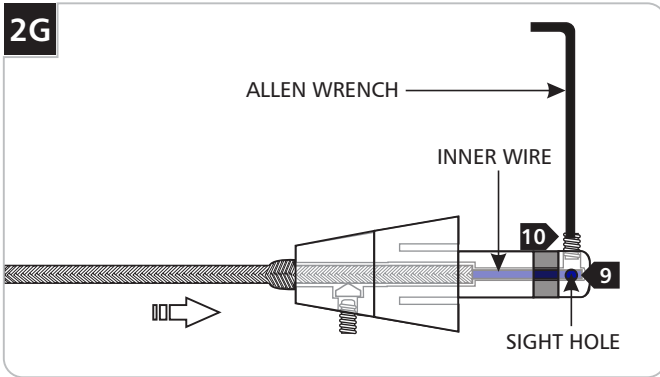
- 6 Tap the conical connector on a hard surface with the set screw facing down, so the plate inside drops into place.



- 7 Feed and push the coaxial cable into the conical connector. The coaxial cable will come to a stop point after being inserted 3/4" into the conical connector.

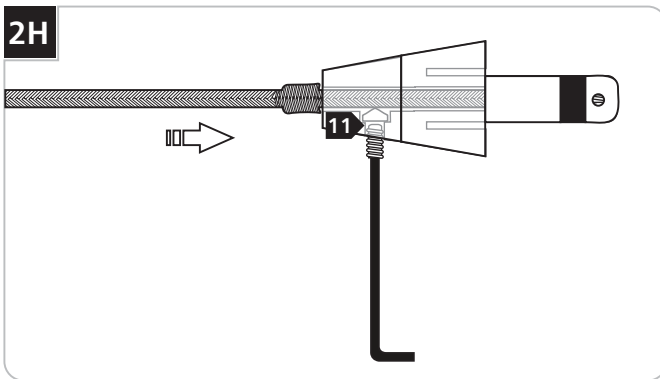


- 8 Keep pushing the coaxial cable into the connector while rotating the connector to ease feeding the inner wire into the tip of the connector. The outer wrapped wire will start wrinkling while being inserted another 1/2" into the connector.

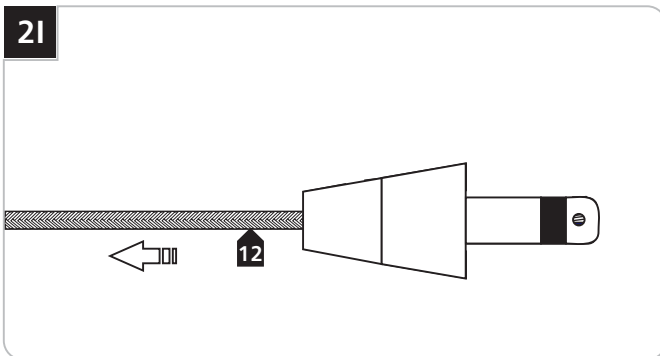


**9** Look into the sight hole on the top of the connector to make sure that the inner wire is contacting the end of the connector.

**10** Hold the coaxial cable in place and tighten the set screw on tip of the connector with the provided Allen wrench.  
***Make sure this set screw connection is tight.***



**11** Firmly tighten the set screw on the conical connector.



**12** Pull the coaxial cable toward the fixture to smooth the wrinkles.

**SAVE THESE INSTRUCTIONS!**



7400 Linder Ave, Skokie, IL 60077

847.410.4400

[www.techlighting.com](http://www.techlighting.com)

© 2014 Tech Lighting, L.L.C. All rights reserved. The "Tech Lighting" graphic is a registered trademark of Tech Lighting, L.L.C. Tech Lighting reserves the right to change specifications for product improvements without notification.

A Generation Brands Company

# MonoRail FreeJack Connector

700MOCHED\_

1.6



## GENERAL PRODUCT INFORMATION:

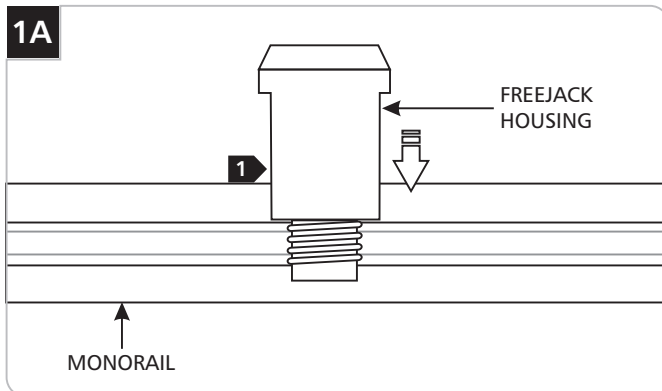


This product is suitable for indoor dry locations only.

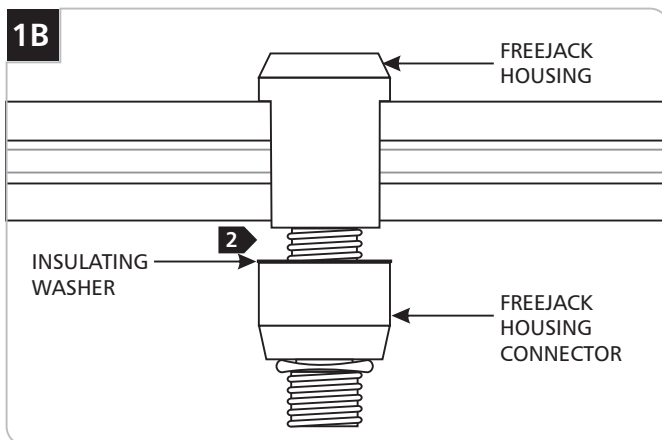
This product should be used with Tech Lighting MonoRail system only.



## Install the FreeJack Connector onto the MonoRail

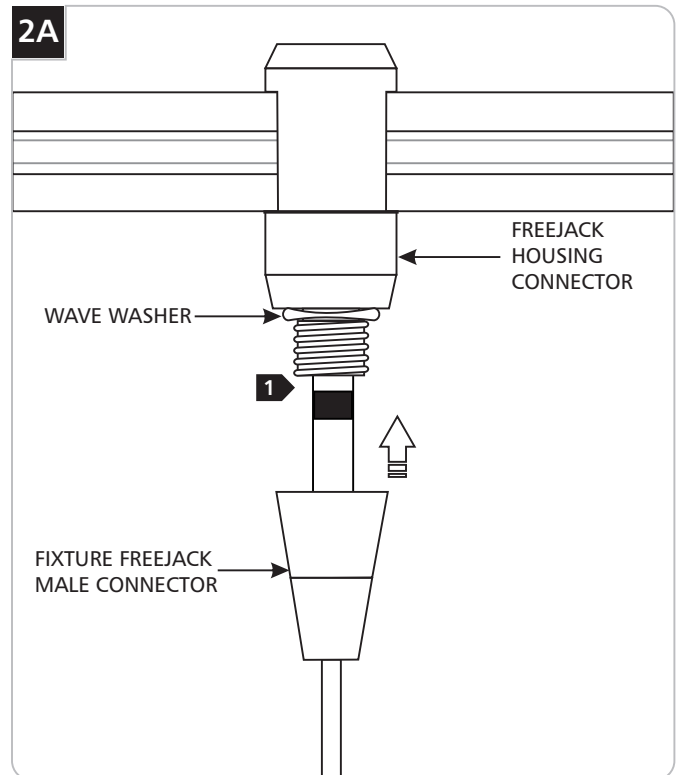


**1** From top of the MonoRail place the FreeJack housing onto the MonoRail.



**2** From bottom of the MonoRail tighten the FreeJack housing connector to the FreeJack housing.

## Connect the FreeJack Fixture to the MonoRail FreeJack Connector



**1** Push and screw the fixture FreeJack male connector all the way into the FreeJack housing connector.

**SAVE THESE INSTRUCTIONS!**



7400 Linder Ave, Skokie, IL 60077  
847.410.4400

[www.techlighting.com](http://www.techlighting.com)

© 2008 Tech Lighting, L.L.C. All rights reserved. The "Tech Lighting" graphic is a registered trademark of Tech Lighting, L.L.C. Tech Lighting reserves the right to change specifications for product improvements without notification.  
A Generation Brands Company

# Two-Circuit MonoRail FreeJack Connector

700MO2CHED\_

1.6



## GENERAL PRODUCT INFORMATION:

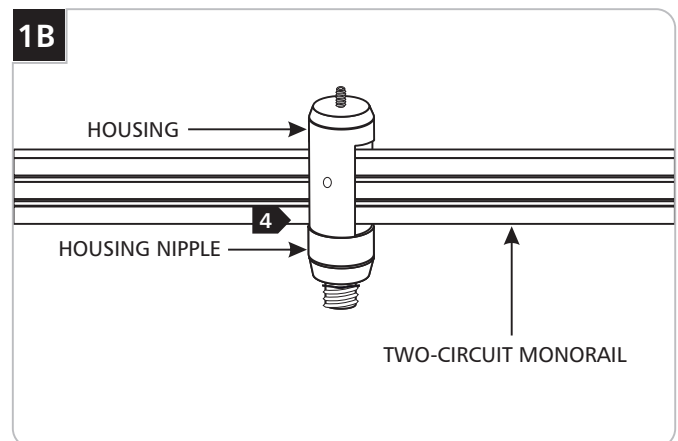
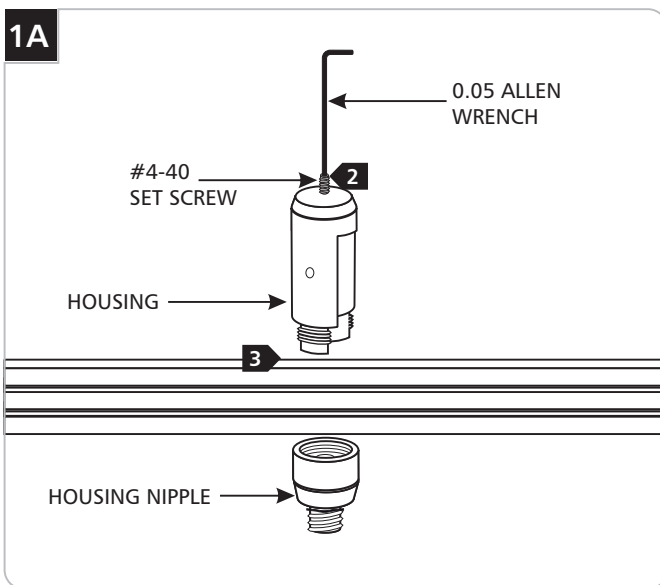


This product is suitable for indoor dry locations only.

This product should be used with Tech Lighting Two-Circuit MonoRail system only.

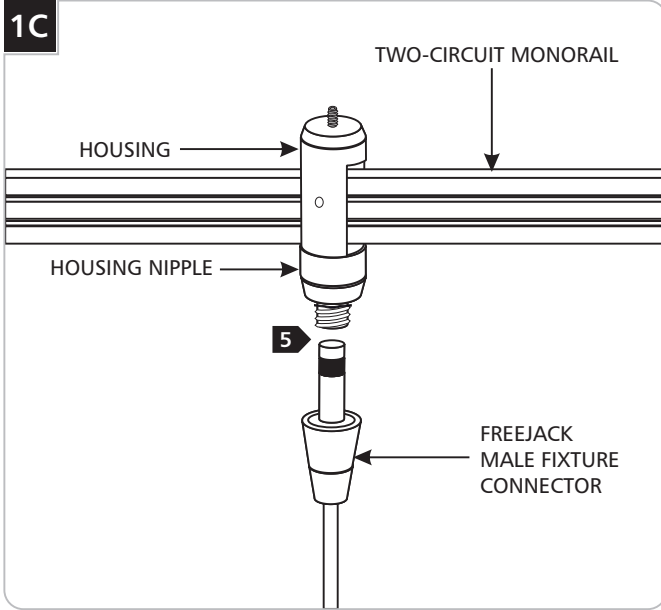


## Install the FreeJack Connector onto the Two-Circuit MonoRail

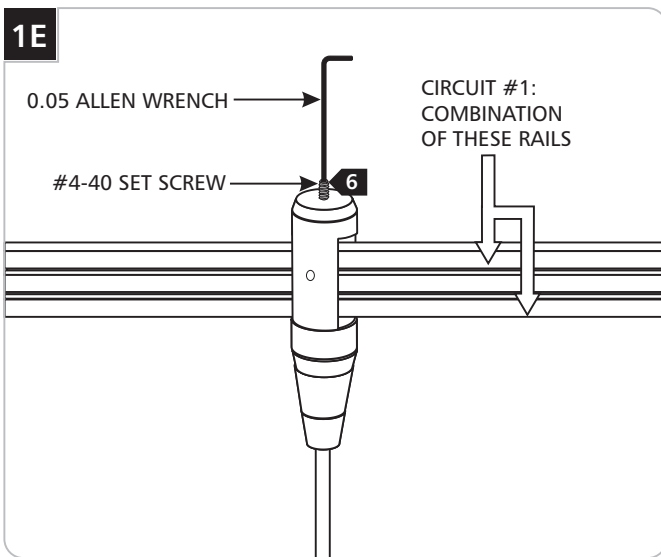


- 1** Turn the power to the Two-Circuit MonoRail off.
- 2** Back out the #4-40 set screw on top of the Two-Circuit MonoRail with the 0.05 Allen wrench.
- 3** Place the housing onto the Two-Circuit MonoRail.

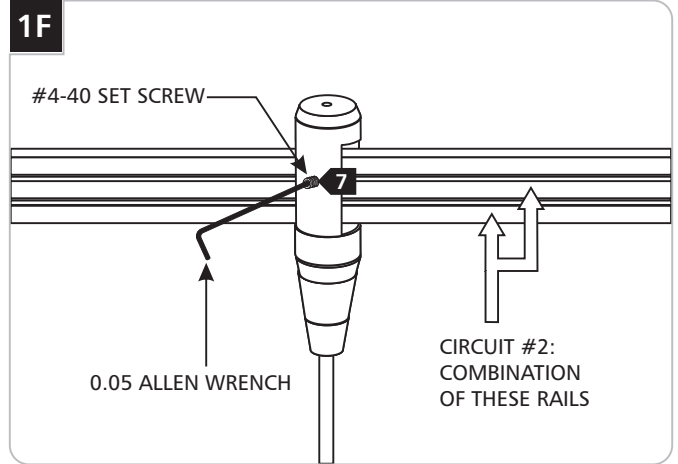
- 4** Screw the housing nipple to the housing tight. Make sure not to cross thread the housing nipple to the housing.



**5** Screw the FreeJack male fixture connector onto the housing nipple.



**6** Select circuit #1 by fastening the #4-40 set screw on top of the housing very tight with the 0.05 Allen wrench.



**7** When using circuit #2, remove the #4-40 set screw from top of the housing and screw it into the side with the 0.05 Allen wrench very tight.

**NOTE:** Never use more than one set screw to select a circuit on the Two-Circuit MonoRail connector.

**NOTE:** Do not load either circuit over the maximum system rating.

**SAVE THESE INSTRUCTIONS!**



7400 Linder Ave, Skokie, IL 60077  
847.410.4400

[www.techlighting.com](http://www.techlighting.com)

© 2008 Tech Lighting, L.L.C. All rights reserved. The "Tech Lighting" graphic is a registered trademark of Tech Lighting, L.L.C. Tech Lighting reserves the right to change specifications for product improvements without notification.  
A Generation Brands Company