

# Lynk Bath (LED)

700BCLYK\_

1.0



## GENERAL PRODUCT INFORMATION:

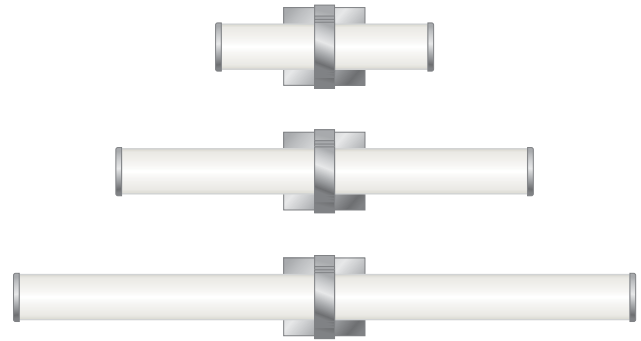
These fixtures are intended to be installed utilizing NEC compliant junction boxes.



This product is suitable for damp locations.

This product may be dimmed with a low-voltage electronic dimmer.

This product may be mounted horizontally or vertically.

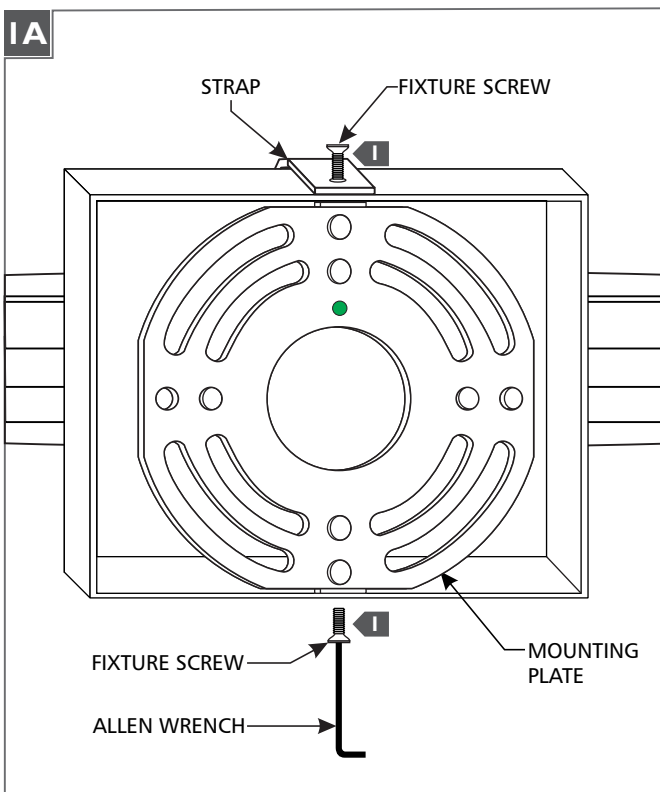


### CAUTION - RISK OF FIRE

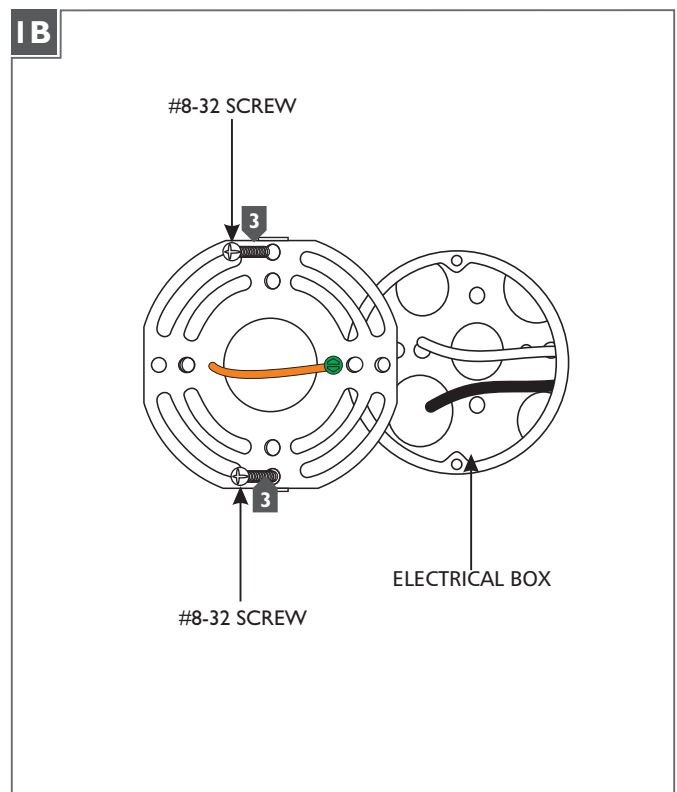
This product must be installed in accordance with the applicable installation code by a person familiar with the construction and operation of the product and the hazards involved.

Use minimum 90°C supply conductors.

## Install the Mounting Plate

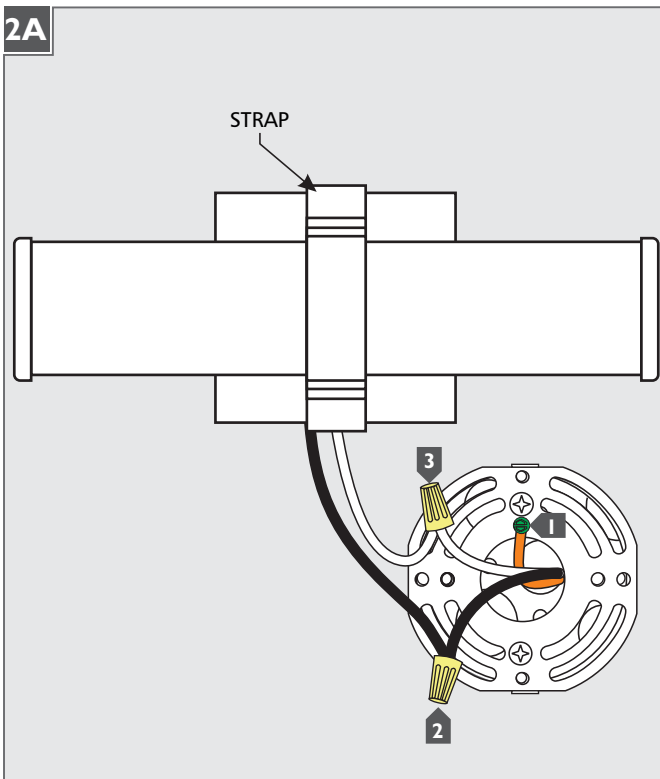


- 1** Remove the fixture screws located on the top and bottom of the fixture base with the provided Allen wrench.
- 2** Remove the mounting plate and strap from the fixture base.



- 3** Install the mounting plate onto the electrical box with the two #8-32 screws provided.

## Install the Fixture



- 1** Connect the mounting plate ground wire to a suitable ground according to local electrical codes.
- 2** Connect the black driver wire to the hot power line wire with a wire nut.
- 3** Connect the white driver wire to the neutral power line wire with a wire nut.
- 4** Properly place the driver, all wires, and wire nut connections into the fixture base.
- 5** Mount the fixture by sliding it back onto the mounting plate, then reinstalling the strap and fixture screws (reversal of figure 1A).

**SAVE THESE INSTRUCTIONS!**



**TECH LIGHTING®**

7400 Linder Ave, Skokie, IL 60077  
847.410.4400

[www.techlighting.com](http://www.techlighting.com)

© 2018 Tech Lighting, L.L.C. All rights reserved. The "Tech Lighting" graphic is a registered trademark of Tech Lighting, L.L.C. Tech Lighting reserves the right to change specifications for product improvements without notification.

A Generation Brands Company