

# LINGER 48 LINEAR SUSPENSION

VISUAL COMFORT & CO.

## PRODUCT FEATURES

- Designed with symmetrically placed LED lights shaped by ten glass and acrylic cylinders providing generous illumination in any space
- Available in modern finishes
- Generously sized at 49" long
- This item is made of natural brass. It is a living finish that will patina and warm with age which adds richness. If it gets an uneven patina or spots, a brass cleaner can restore the finish
- Includes (4) 6" and (10) 12" rigid stems in coordinating finish
- Protected by a 5-year warranty, please visit the "About Us" Page on [techlighting.com](http://techlighting.com) for more for warranty details



## LAMPING

Includes 46 watts, 3775 total delivered lumens, 3000K LED modules. 120 volt dimmable with most LED compatible ELV and TRIAC dimmers. 277 volt compatible with 0-10V dimmers. Ships with (10) 12" and (4) 6" rigid stems in coordinating finish. Can be installed on a sloped ceiling up to 45°.

Polished Nickel



Polished Nickel

Polished Nickel 3/4

Natural Brass

Natural Brass 3/4

## ORDERING INFORMATION

700LSLNG	LENGTH (A)	FINISH	LAMP
	48 48"	NB NATURAL BRASS	-LED930 INTEGRATED LED 90 CRI 3000K 120V
		N POLISHED NICKEL	-LED930-277 INTEGRATED LED 90 CRI 3000K 277V

700LSLNG \_\_\_\_\_

JOB NAME \_\_\_\_\_

NOTES \_\_\_\_\_

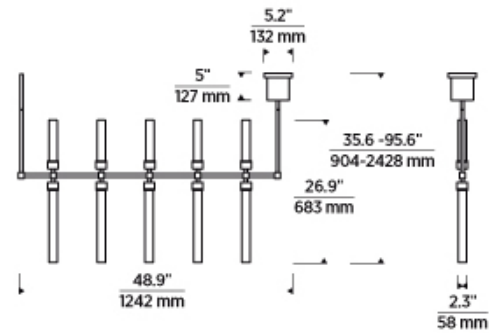


# LINGER 48 LINEAR SUSPENSION

VISUAL COMFORT & Co.

## SPECIFICATIONS

PRIMARY MATERIAL	Aluminum
SHADE MATERIAL	Glass
NET WEIGHT	24 lbs
HEIGHT	26.9in
WIDTH	2.3in
LENGTH	48.9in
UP LIGHT / DOWN LIGHT / BOTH?	
WET LISTED	
DAMP LISTED	
DRY LISTED	
MIN. HANGING HEIGHT	35.6in
MAX HANGING HEIGHT	95.6in
TOTAL CORD LENGTH	
TOTAL STEM LENGTH	Up to 144in
STEM QTY	14
SLOPED CEILING ADAPTABLE?	Yes 45° Max
GENERAL LISTING	ETL Listed
INCLUDES	



## LAMPING SPECIFICATIONS

	LED LAMP	INTEGRATED LED	NON LED	NO LAMP
DELIVERED LUMENS		3775		
WATTS		46		
MAX WATTAGE PER BULB		46W		
		120V ELV, TRIAC		
		277V ELV, TRIAC		
CCT		3000K		
CRI		90 CRI		
LED LIFETIME				
L70		>50000		
AVERAGE BULB HOURS				
FIELD SERVICEABLE LED				
LAMP BASE		Integrated LED		
LAMP SHAPE		Integrated LED		
LAMP INCLUDED?		True		
WARRANTY**		5 Years		

\* Dimming information available at [www.techlighting.com/Downloads#dimming](http://www.techlighting.com/Downloads#dimming)

\*\* Visit [techlighting.com](http://techlighting.com) for specific warranty limitations and details.

## T20 / T24 / JA8 INFORMATION

	Integrated LED	Replacement LED Lamp	No Lamp *
This product can be used to comply with California Building Energy Efficiency Standards 2016 Title 24 Part 6 / JA8.	Yes		
This product can be used to comply with California Appliance Efficiency Standards 2016 Title 20 and may be shipped to and sold in California.	N/A		

\* If a light fixture or component does not include a lamp or light source, it is the responsibility of the customer to select a lamp that meets the T24 and T20 requirements.

