

Linger 48" Linear Suspension

700LSLNG48

1.0



GENERAL PRODUCT INFORMATION:

This product is suitable for damp locations.

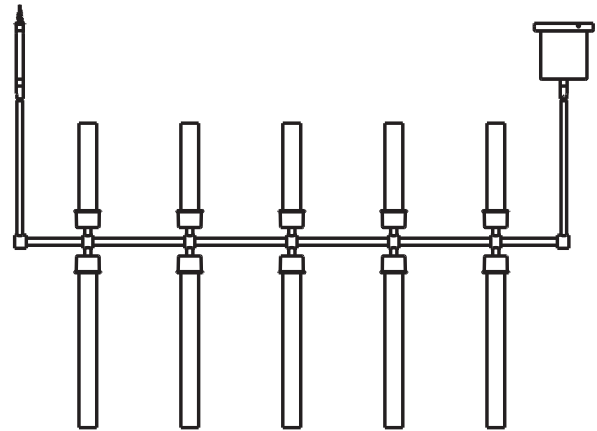
These fixtures are intended to be installed utilizing NEC compliant junction boxes.



This product can be dimmed with most ELV or TRIAC dimmers.

The fixture can be mounted to a ceiling with a 45 degree slope maximum.

This instruction shows a typical installation.



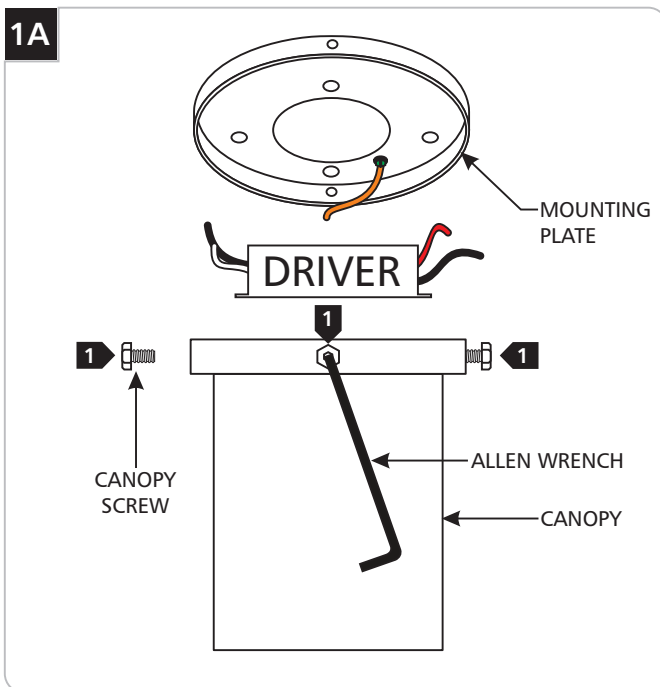
CAUTION - RISK OF FIRE

This product must be installed in accordance with the applicable installation code by a person familiar with the construction and operation of the product and the hazards involved.

Use minimum 90°C supply conductors.

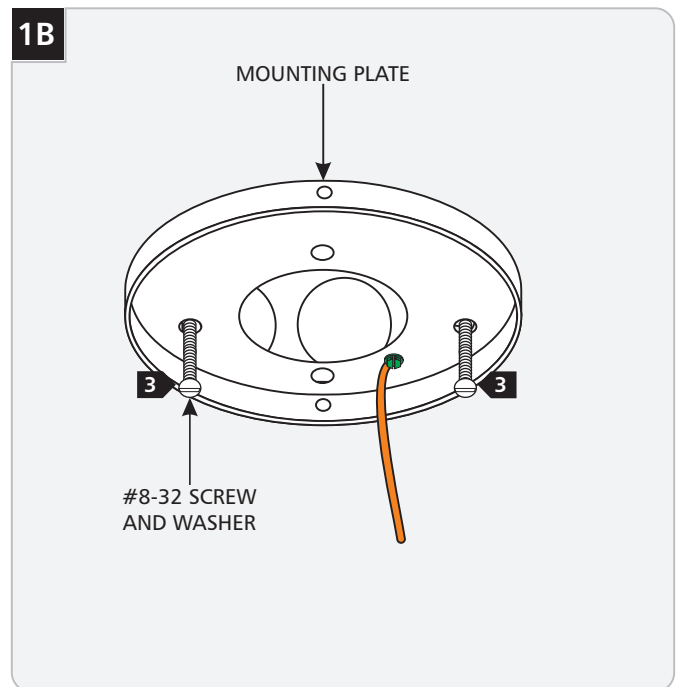
Two Person Installation Recommended

Install the Mounting Plate



1 Remove all the canopy screws using the provided Allen Wrench.

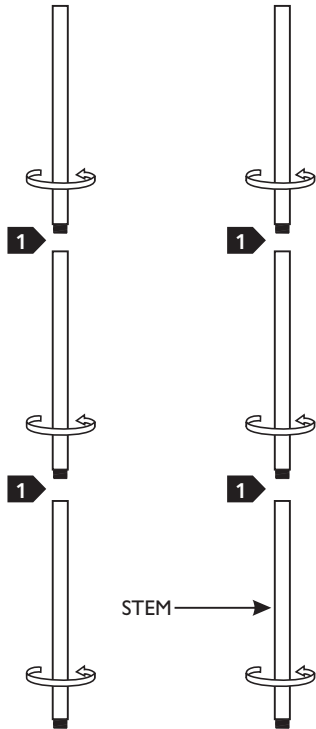
2 Remove the mounting plate and driver from the canopy.



3 Secure the mounting plate to the electrical box with the #8-32 screws provided.

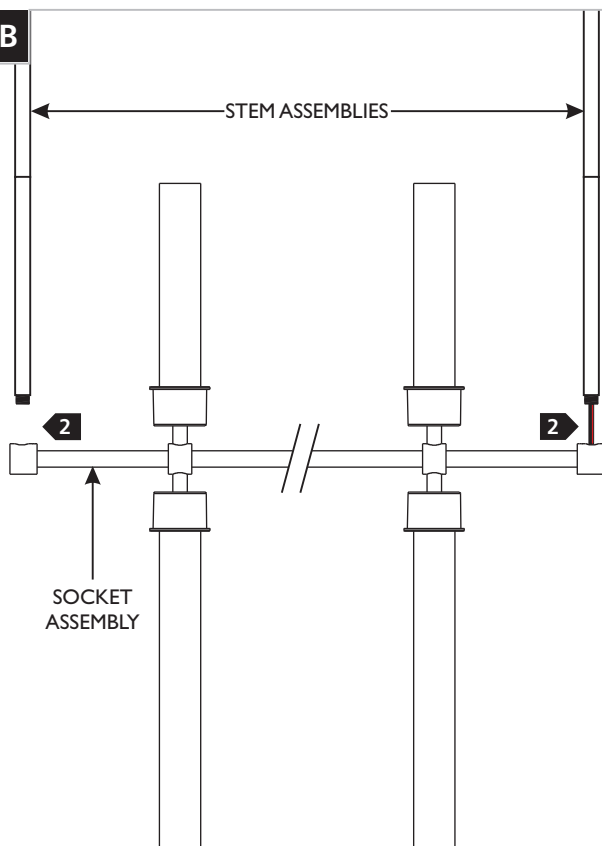
Assemble the Fixture

2A



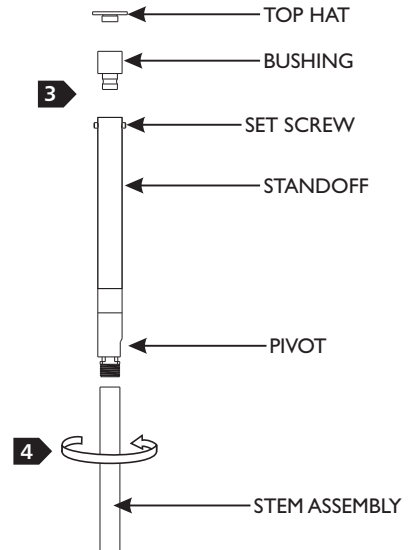
- 1 Determine the desired height of the fixture using the provided stems and assemble them by screwing them together.

2B



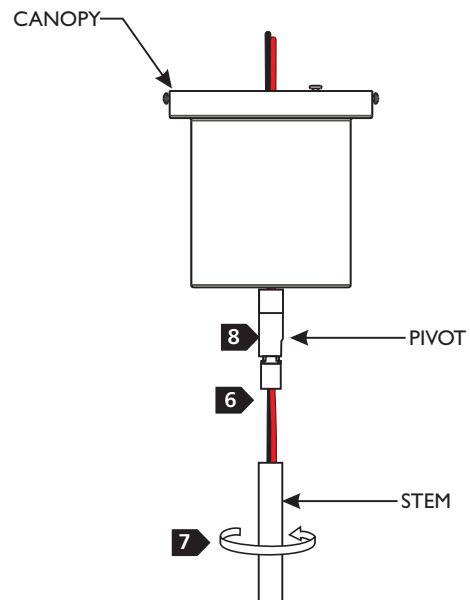
- 2 Feed the fixture wires through the stem assembly, then screw both stem assemblies onto the socket assembly.

2C



- 3 Remove and save the bushing and top hat from the standoff and pivot by loosening (not removing) the set screws.
- 4 Screw the stem assembly to the pivot.
- 5 Adjust the pivot so it bends in the correct direction to the slope if mounting on a vaulted ceiling.

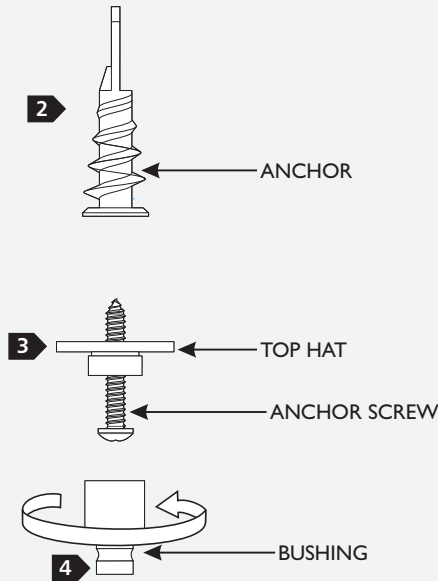
2D



- 6 Feed the wires into the canopy.
- 7 Screw the stem assembly to the pivot.
- 8 Adjust the pivot so it bends in the correct direction to the slope if mounting on a vaulted ceiling.

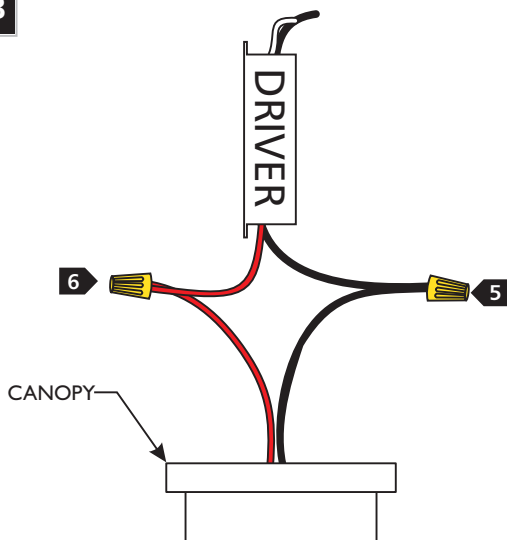
Install the Fixture

3A



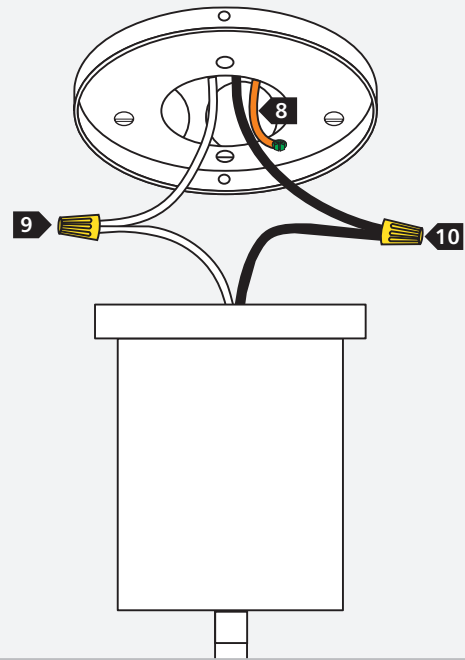
- 1** Measure the exact distance between the stems (tolerances in the modules may cause slight variations.)
- 2** Install the anchor at the measured distance from the center of the junction box.
- 3** Use the anchor screw to secure the top hat in place.
- 4** Thread the bushing onto the top hat.

3B



- 5** Connect the blue/black(-) driver wire to the blue/black(-) fixture wires with a wire nut.
- 6** Connect the red(+) driver wire to the red(+) fixture wires with a wire nut.
- 7** Neatly place the driver and wires inside the canopy.

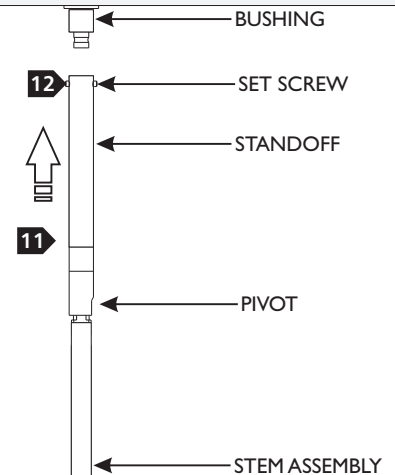
3C



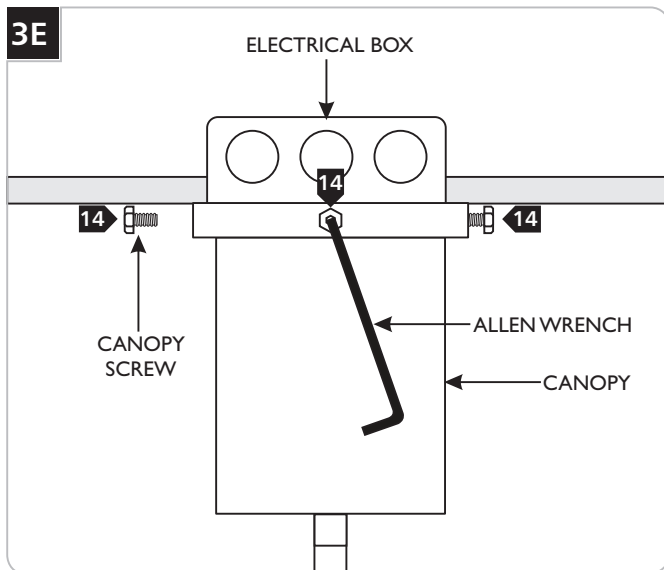
It is recommended to have another person hold the fixture up through out this series of steps.

- 8** While another person holds the fixture, connect the fixture to a suitable ground in accordance with local electrical codes.
- 9** Connect the white driver wire to the neutral power line wire with a wire nut.
- 10** Connect the black driver wire to the hot power line wire with a wire nut.

3D

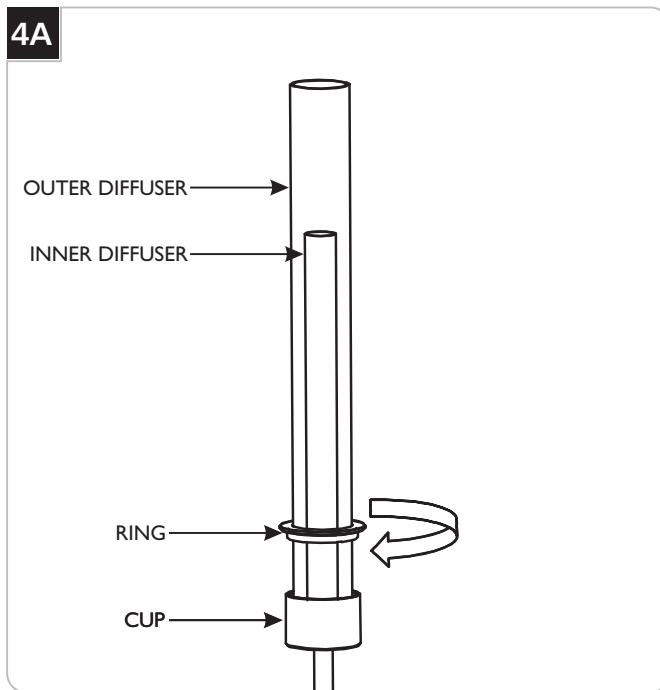


- 11** Lift the stem assembly up to the bushing
- 12** Screw the two set screw into place.



- 13 Neatly place all wires and wire nut connections inside the canopy.
- 14 Align the canopy holes with the mounting plate holes. Secure the canopy in place by tightening the canopy screws using the provided Allen Wrench.

Install the Shades



- 1 Insert the inner diffuser into the cup followed by the outer diffuser, then slide the ring over the outer diffuser and screw it into the cup to secure in place. Repeat for remaining diffusers.

SAVE THESE INSTRUCTIONS!

 **TECH LIGHTING®**
 7400 Linder Ave, Skokie, IL 60077
 847.410.4400
www.techlighting.com

© 2020 Tech Lighting, L.L.C. All rights reserved.
 Visual Comfort Group