

KULMA SMALL PENDANT

PRODUCT FEATURES

- Clear glass panels with concealed LED light
- Light cascades down and is captured in the edge of the glass
- Suited for indoor or outdoor spaces
- ADA Compliant
- Fully dimmable integrated LED lamp
- Protected by a 5-year warranty. Please visit the "About Us" Page on techlighting.com for more for warranty details



LAMPING

Natural Brass (Lit)



Natural Brass (Lit)



Black (Lit)



Natural Copper (Lit)

ORDERING INFORMATION

7000PKLM	CRI	COLOR TEMP	LENGTH (A)	FINISH	VOLTAGE
	9 90 CRI	27 2700K	15 15"	B BLACK P COPPER NB NATURAL BRASS	UNV 120-277V

7000PKLM _____

JOB NAME _____

NOTES _____

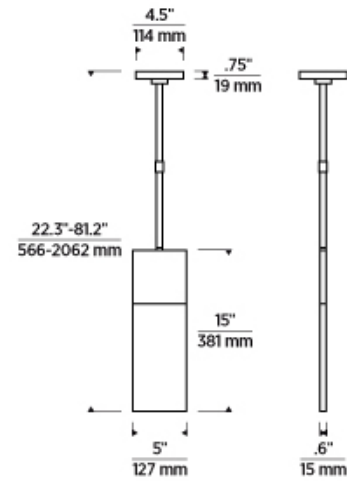


KULMA SMALL PENDANT



SPECIFICATIONS

HARDWARE MATERIAL	Metal
SHADE MATERIAL	Crystal
NET WEIGHT	8 lbs
HEIGHT	15in
WIDTH	0.6in
LENGTH	5in
WET LISTED	Yes
DAMP LISTED	
DRY LISTED	
GENERAL LISTING	ETL Listed
INCLUDES	



LAMPING SPECIFICATIONS

	LED LAMP	INTEGRATED LED	NON LED	NO LAMP
DELIVERED LUMENS		119		
WATTS		8.3		
MAX WATTAGE PER BULB				
INPUT VOLTAGE		Universal 120V-277V		
DIMMING TYPE*		0-10, ELV, TRIAC		
CCT		2700K		
CRI		90 CRI		
LED LIFETIME				
L70		>60000		
AVERAGE BULB HOURS				
FIELD SERVICEABLE LED				
LAMP BASE		Integrated LED		
LAMP SHAPE		Integrated LED		
LAMP INCLUDED?		True		
WARRANTY**		5 Years		

*Dimming information available at www.techlighting.com/Downloads#dimming
 ** Visit techlighting.com for specific warranty limitations and details.

T20 / T24 / JA8 INFORMATION

	Integrated LED	Replacement LED Lamp	No Lamp *
This product can be used to comply with California Building Energy Efficiency Standards 2016 Title 24 Part 6 / JA8.	Yes		
This product can be used to comply with California Appliance Efficiency Standards 2016 Title 20 and may be shipped to and sold in California.	N/A		

* If a light fixture or component does not include a lamp or light source, it is the responsibility of the customer to select a lamp that meets the T24 and T20 requirements.

