

Kadia Table Lamp

700PRTKDA | 1.0



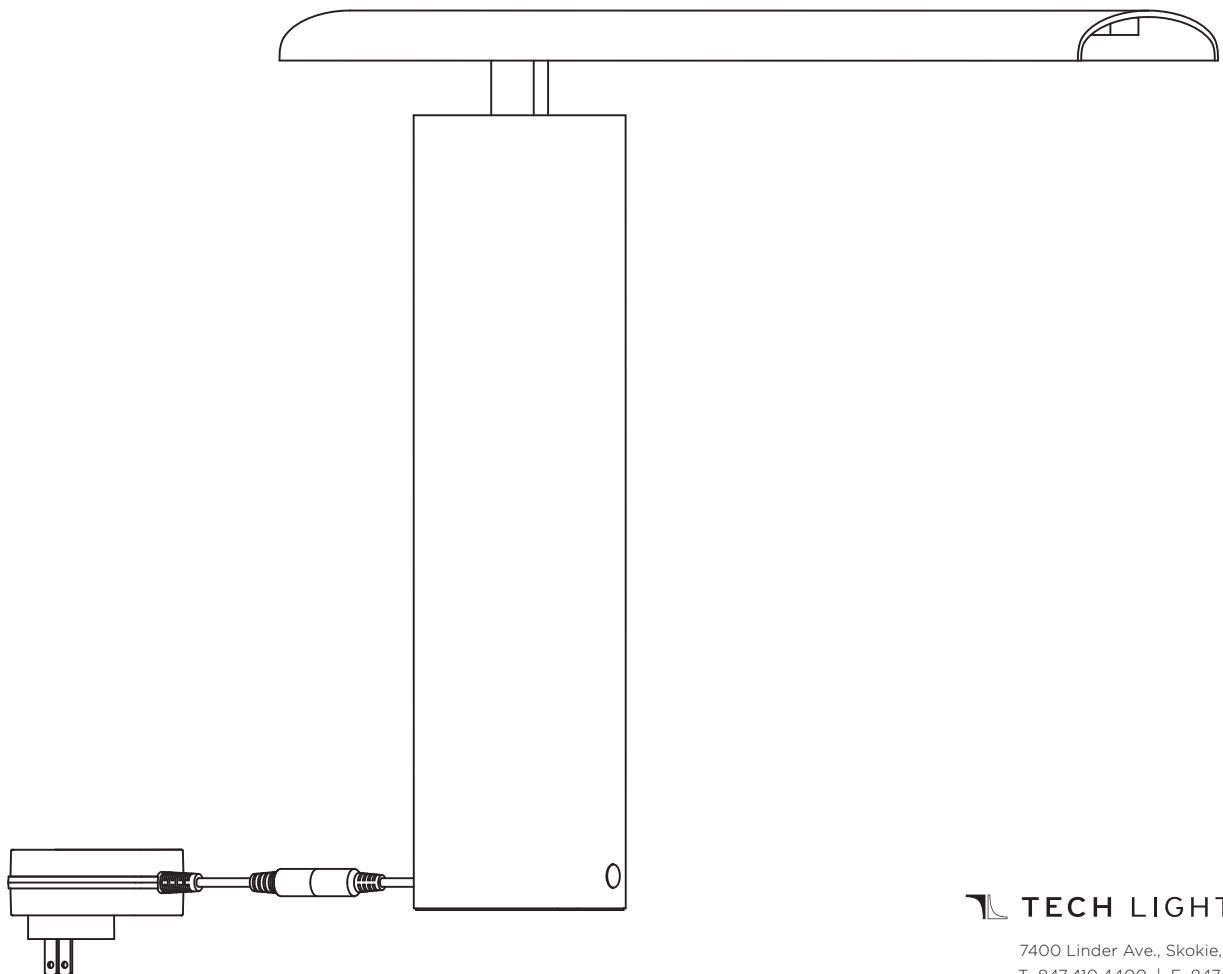
GENERAL PRODUCT INFORMATION:

This product is suitable for dry locations only.

This instruction shows a typical installation.



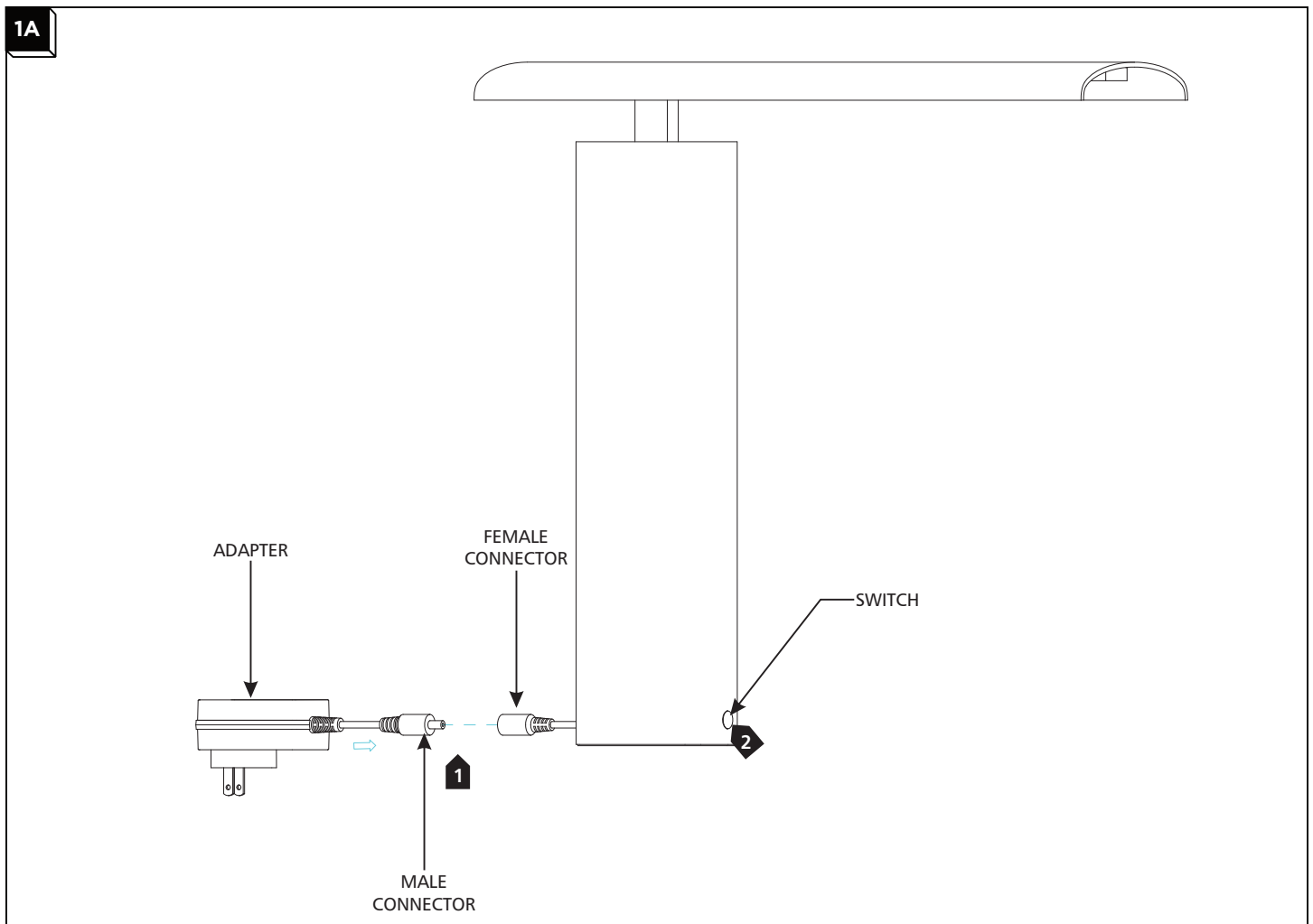
SAVE THESE INSTRUCTIONS!



TECH LIGHTING
7400 Linder Ave., Skokie, IL 60077
T 847.410.4400 | F 847.410.4500
www.techlighting.com

Install the Fixture

1A



- 1 Connect the male connector from the adapter to the female adapter on the fixture.
- 2 Use the switch to turn the fixture on/off and to change dimming levels by tapping on the touch sensitive switch.