

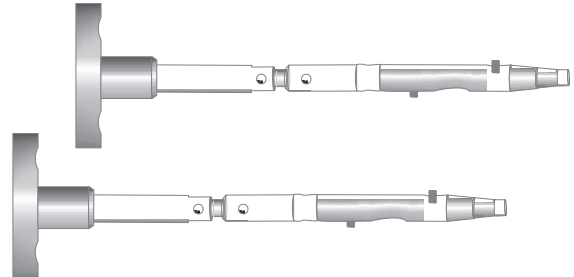


GENERAL PRODUCT INFORMATION:

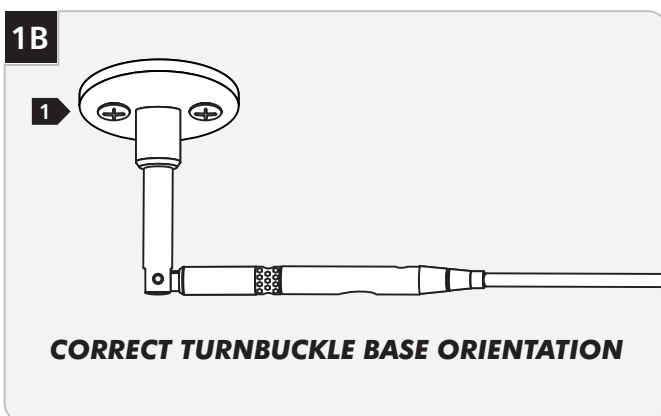
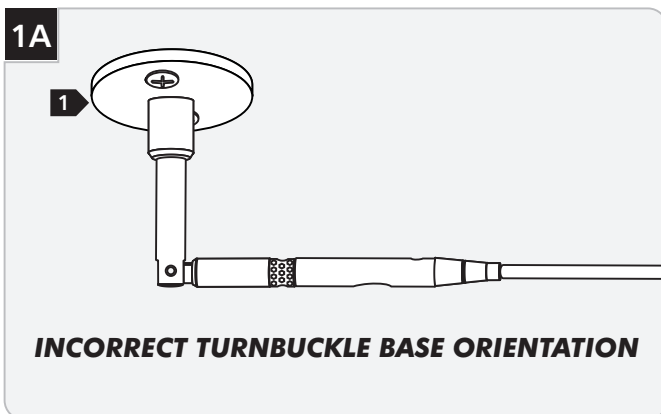


This product is suitable for indoor dry locations only.

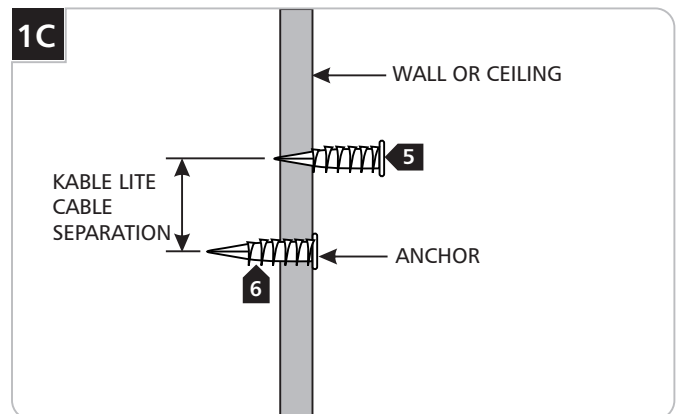
This product should be used with Tech Lighting Kable Lite system only.



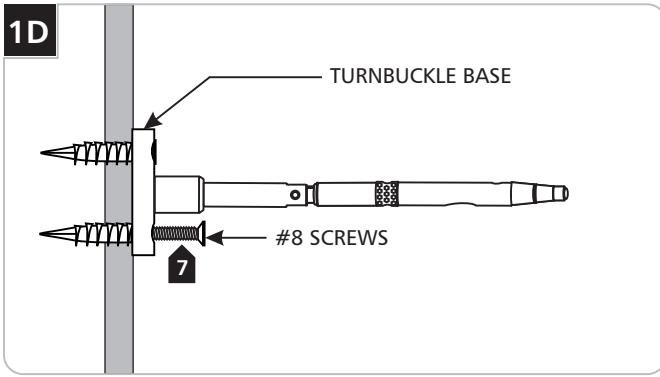
Install the Universal Turnbuckles



- 1** When mounting the universal turnbuckle onto the ceiling or at an angle, make sure that the turnbuckle base is in correct orientation (screw holes being inline with the Kable Lite cable).

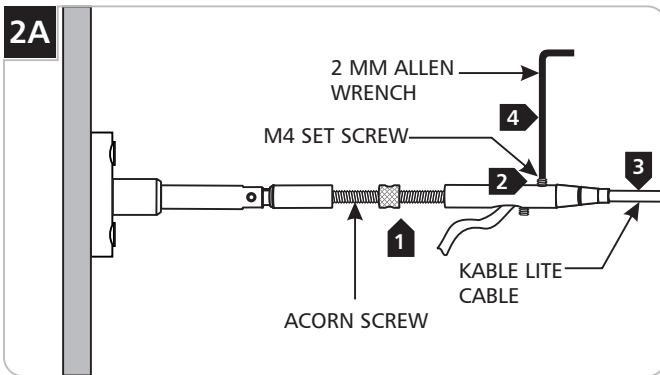


- 2** Select the right location for the anchors to be mounted.
- 3** Decide the Kable Lite cable separation. 2" is the minimum separation allowed with universal turnbuckles.
- 4** Mark the location of the anchors on the wall or ceiling. The distance between the center points of the anchors should be the desired Kable Lite cable separation.
- 5** Tap the anchors at the marked point up to the threaded portion with a hammer.
- 6** Screw the anchors in the rest of the way with a Phillips screwdriver.



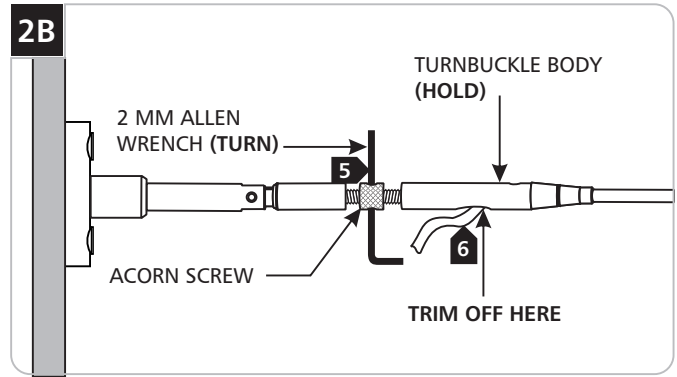
- 7 Mount the turnbuckles to the anchors through the turnbuckle base holes with the #8 screws.

Install the Kable Lite Cables



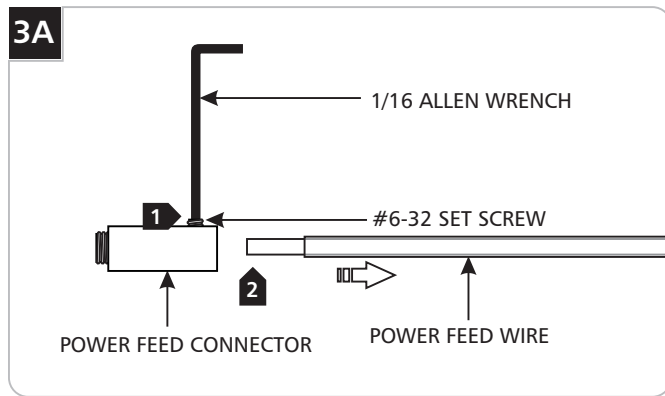
NOTE: When power feed wires are going to be connected to the turnbuckle bodies (Fig 3A on page 3) and insulated Kable Lite cables are used in the system, strip the end portion of the Kable Lite cables (that are going to be attached to the turnbuckle bodies) so that the power is conducted through the turnbuckle bodies to the Kable Lite cables.

- 1 Unscrew the acorn screw on the turnbuckle body to its full extension.
- 2 Unscrew the M4 set screws on the end of the turnbuckle body with the 2 MM Allen wrench.
- 3 Insert the Kable Lite cables into the turnbuckle body and tighten the M4 set screws on the turnbuckle body with the 2 MM Allen wrench.
- 4 Insert the Kable Lite cables into the turnbuckle body at the other end of the cable. Pull the Kable Lite cable taut between the two turnbuckles and tighten the M4 set screws on the opposite turnbuckle with 2 MM Allen wrench.

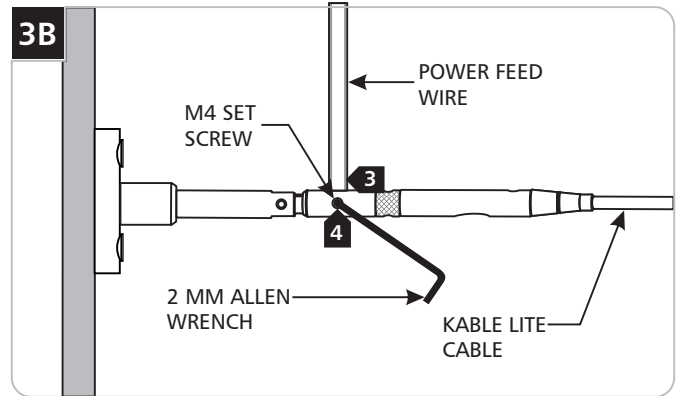


- 5 Finish tightening the Kable Lite cables by inserting an Allen wrench into the acorn screw hole and rotating it counter clockwise with one hand while holding the turnbuckle body with the other hand.
- 6 Trim off the excess Kable Lite cables coming out of the turnbuckles.

Connecting the Power Line Wires Directly to the Universal Turnbuckles



- 1 Loosen the #6-32 set screw on the power feed connectors with the 1/16 Allen wrench.
- 2 Remove the power feed connectors.



- 3 Feed the striped portion of the power feed wire (one for each turnbuckle) into the turnbuckle hole.
- 4 Tighten the M4 set screw with the 2 mm Allen wrench.

SAVE THESE INSTRUCTIONS!



TECH LIGHTING®

7400 Linder Ave, Skokie, IL 60077

847.410.4400

www.techlighting.com

© 2008 Tech Lighting, L.L.C. All rights reserved. The "Tech Lighting" graphic is a registered trademark of Tech Lighting, L.L.C. Tech Lighting reserves the right to change specifications for product improvements without notification.

A Generation Brands Company