

Rigid T Standoff

700KTSO_

1.7

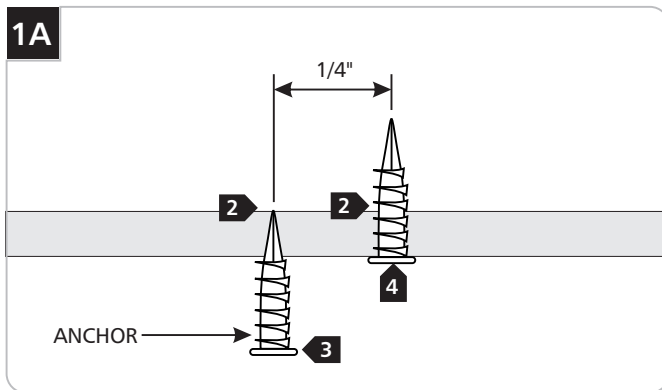
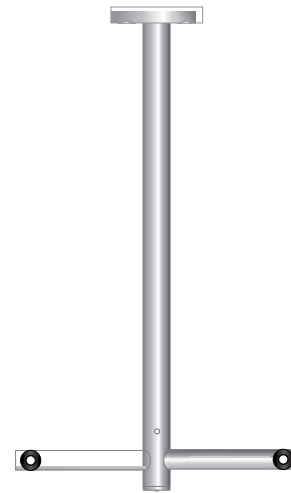


GENERAL PRODUCT INFORMATION:

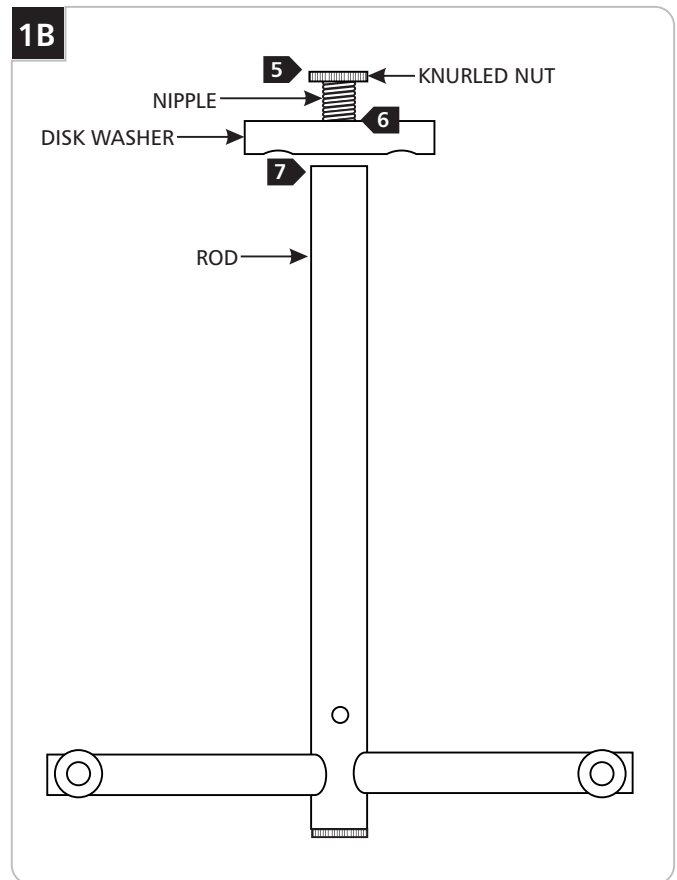


This product is suitable for indoor dry locations only.

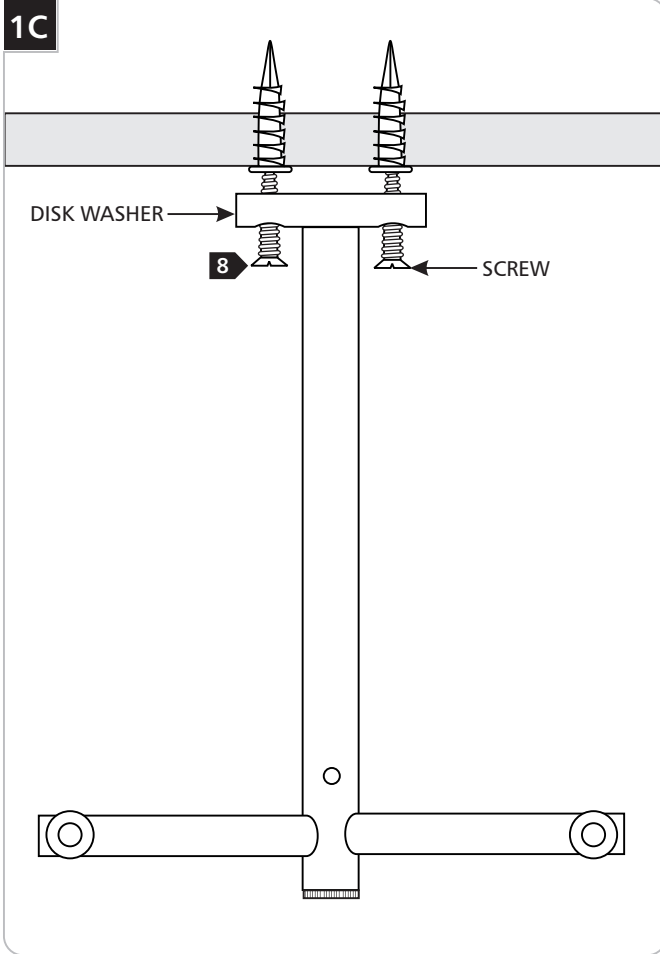
This product is for ceiling mount only and must be mounted in the center, between the Kable Lite cables.



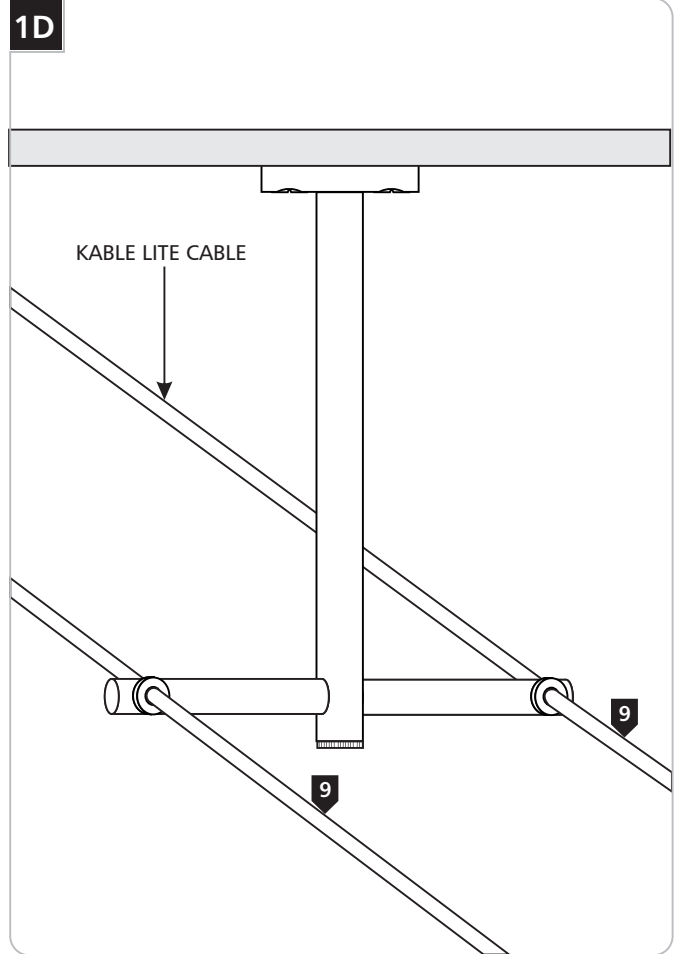
- 1** Select the location on the ceiling where the standoff is to be mounted.
- 2** Mark the two point on the ceiling 1-1/4" apart for the anchors.
- 3** Tap the anchors at the marked points into the ceiling.
- 4** Screw the anchors in the rest of the way with a Phillips screwdriver.



- 5** Screw the knurled nut to the 1/8" threaded nipple. Make sure that the end of the nipple is flush with the top edge of the knurled nut.
- 6** Place the 1/8" nipple through the center countersunk hole of the disk washer.
- 7** Tighten the rod completely onto the nipple.



8 Secure the standoff by screwing the disk washer to the anchor with the provided two #8 screws.



9 Run the Kable Lite cables coming from the turnbuckles through the bushings on the separation bar for all standoffs used in the run.

SAVE THESE INSTRUCTIONS!



7400 Linder Ave, Skokie, IL 60077
847.410.4400

www.techlighting.com

© 2008 Tech Lighting, L.L.C. All rights reserved. The "Tech Lighting" graphic is a registered trademark of Tech Lighting, L.L.C. Tech Lighting reserves the right to change specifications for product improvements without notification.
A Generation Brands Company