

Outside Rigger

700KWSO1202_

1.7



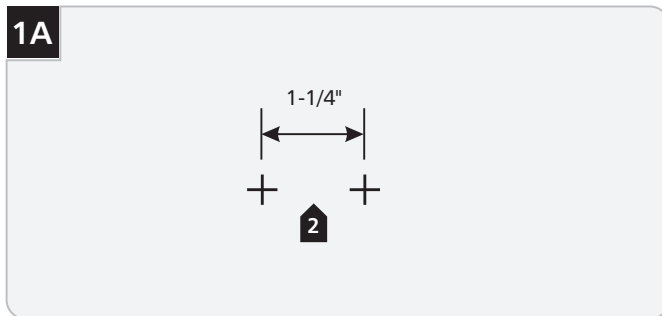
WALL SUPPORTS

GENERAL PRODUCT INFORMATION:

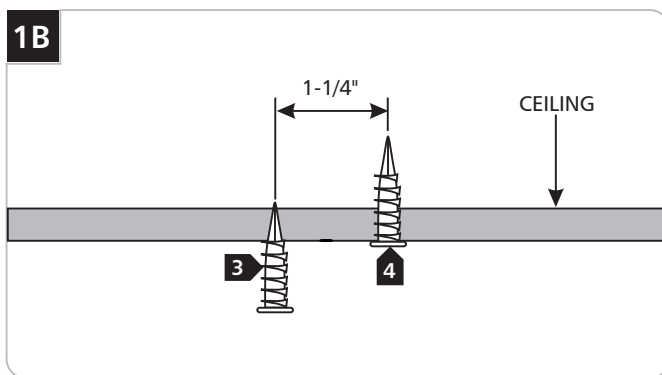
This product is suitable for dry locations only.



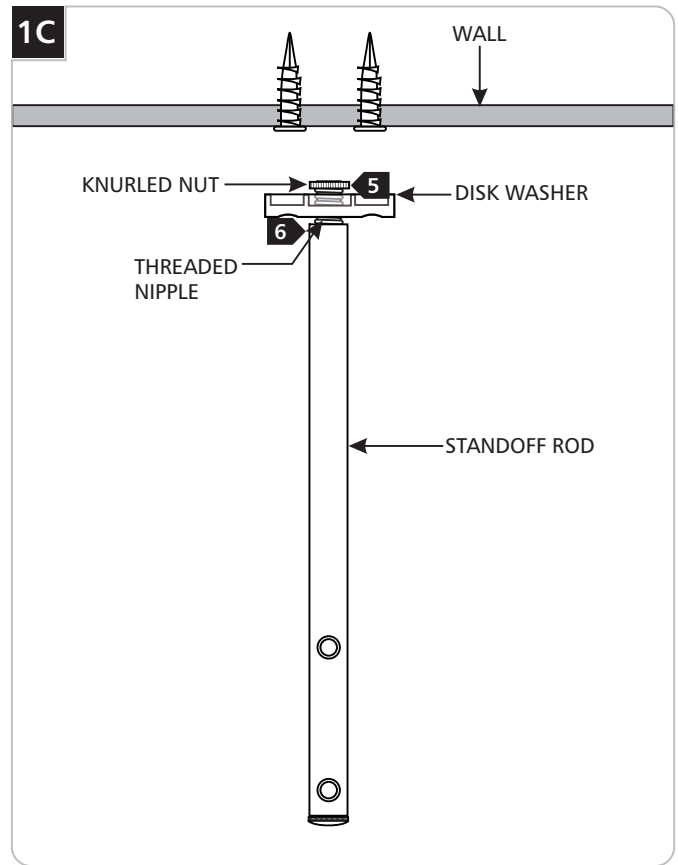
This product should be used with Tech Lighting Kable Lite system only.



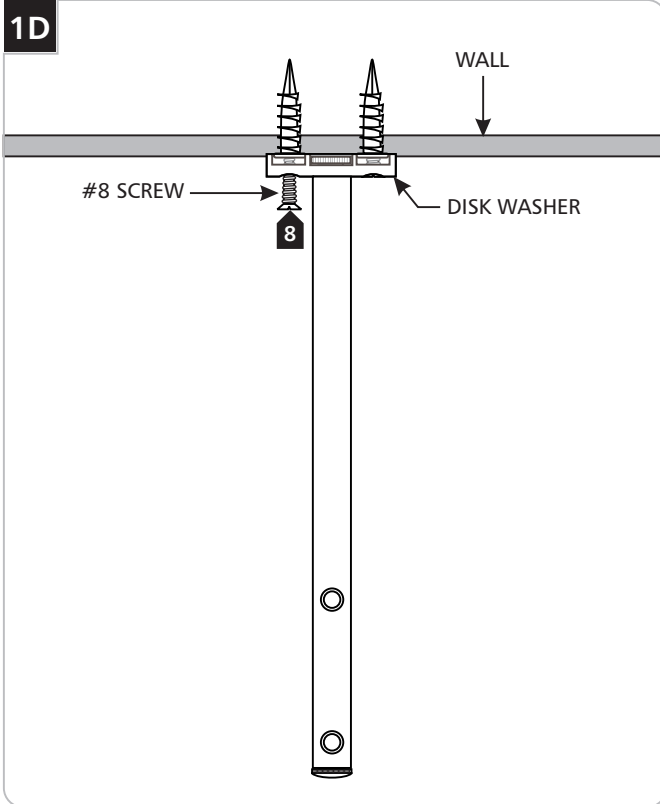
- 1 Determine the location for the standoff.
- 2 Mark two points on the wall 1-1/4" apart.



- 3 With a hammer tap the two anchors at the marked points into the wall up to the threaded portion.
- 4 Screw the anchors in the rest of the way with a Phillips screwdriver.

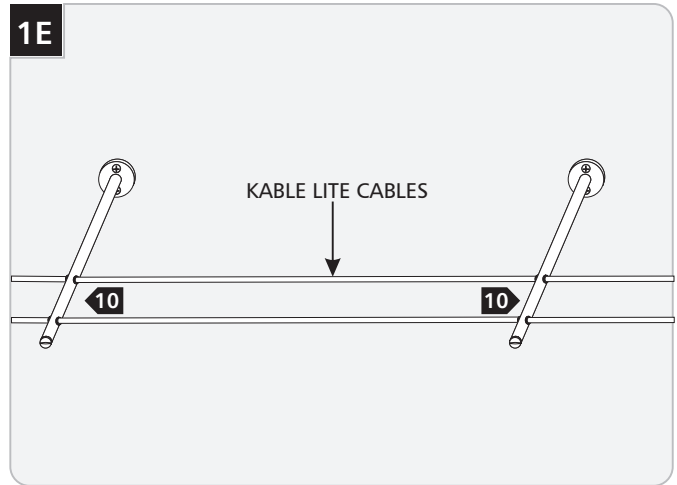


- 5 Screw the knurled nut to the threaded nipple. Make sure that the end of the nipple is flush with the top edge of the knurled nut.
- 6 Screw the standoff rod all the way onto the threaded nipple.



8 Attach the standoff to the anchors through the disk washer holes with the #8 screws.

9 Repeat steps 1 through 8 for the other post.



10 Feed the Kable Lite cables coming from the turnbuckles through the standoff holes.

SAVE THESE INSTRUCTIONS!



TECH LIGHTING®

7400 Linder Ave, Skokie, IL 60077

847.410.4400

www.techlighting.com

© 2008 Tech Lighting, L.L.C. All rights reserved. The "Tech Lighting" graphic is a registered trademark of Tech Lighting, L.L.C. Tech Lighting reserves the right to change specifications for product improvements without notification.

A Generation Brands Company