

Hardwire Feeds

700HWD_

1.7



GENERAL PRODUCT INFORMATION:

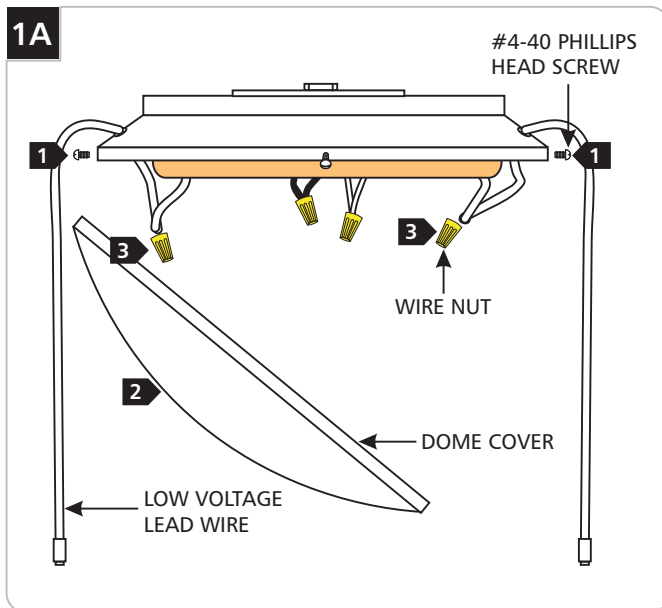


This product is suitable for indoor dry locations only.

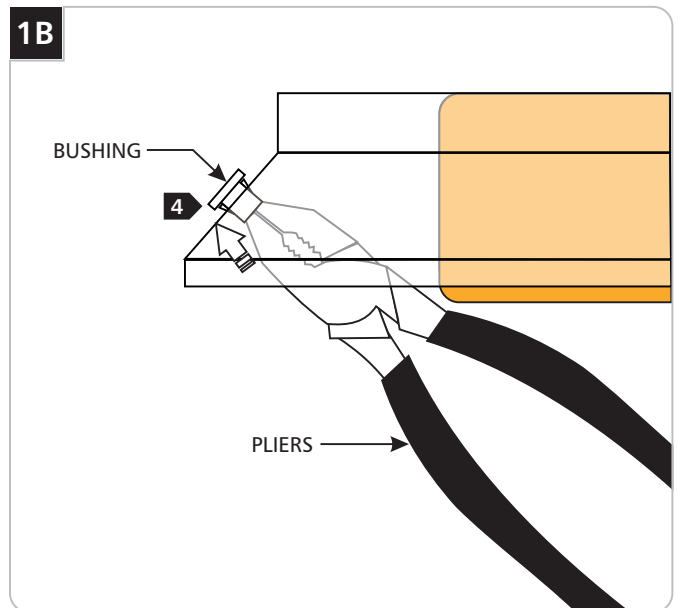
This product must be used with Tech Lighting Kable Lite surface transformers.



Connecting Hardwire Feeds to Kable Lite Surface Transformer

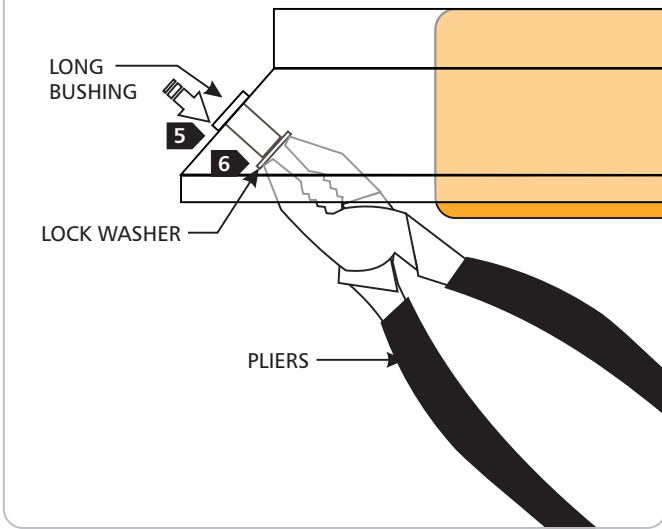


- 1** On side of the transformer canopy dome cover, remove the #4-40 Phillips head screws.
- 2** Lift the dome cover off of the transformer housing.
- 3** Disconnect the Kable Lite low voltage lead wires by removing the wire nuts.



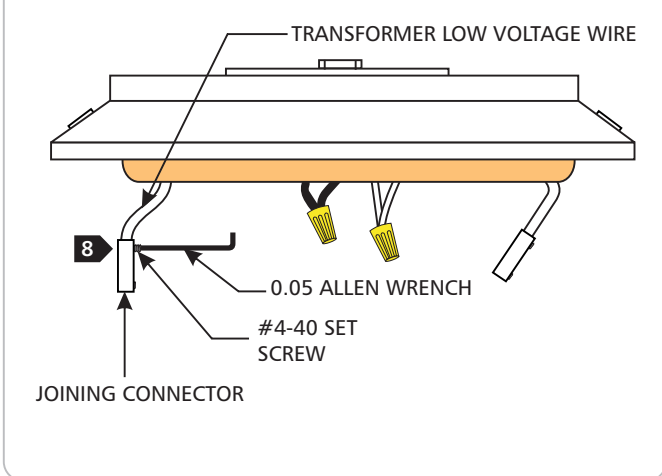
- 4** From inside of the transformer housing press the bushings out with pliers.

1C



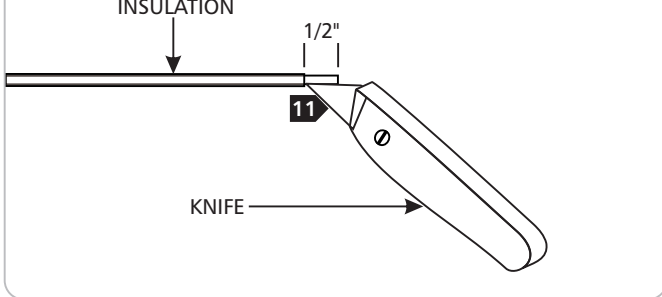
- 5** From outside of the transformer housing, insert the new long bushings into the transformer housing holes.
- 6** Hold the long bushings with the thumb and press the lock washer from inside the transformer housing onto the long bushing with the pliers.

1D



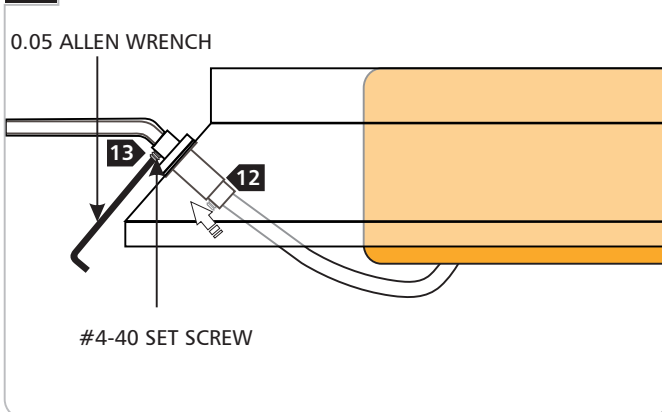
- 7** Strip 1/2" off of the transformer low voltage wires.
- 8** Feed each transformer low voltage wire into the joining connector and tighten the #4-40 set screws with the 0.05 Allen wrench.

1E



- 9** Bend the hard wires to the desired shape by hands.
- 10** Cut the excess hard wires with a sharp cutter.
- 11** For power connection strip 1/2" off of the insulated tube with a sharp knife.

1F



- 12** From inside of the transformer housing push the joining connectors into the long bushing. Back out the exposed #4-40 set screw with the 0.05 Allen wrench to lock the connector in the long bushing.
- 13** Insert the stripped portion of the hardwire feed into the connector and tighten the #4-40 set screw with 0.05 Allen wrench.
- 14** Refer to the Kable Lite surface transformer to finish the installation.

SAVE THESE INSTRUCTIONS!

TECH LIGHTING®
 7400 Linder Ave, Skokie, IL 60077
 847.410.4400
www.techlighting.com

© 2008 Tech Lighting, L.L.C. All rights reserved. The "Tech Lighting" graphic is a registered trademark of Tech Lighting, L.L.C. Tech Lighting reserves the right to change specifications for product improvements without notification.
 A Generation Brands Company