

Dual Power Feed Canopies

700KP_

1.7

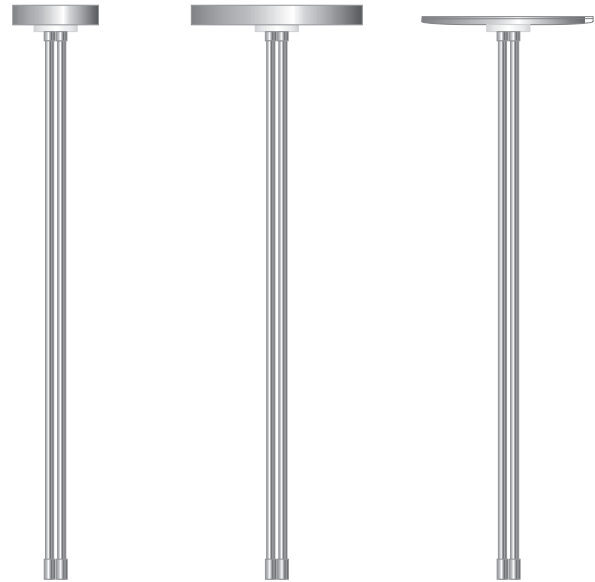


GENERAL PRODUCT INFORMATION:



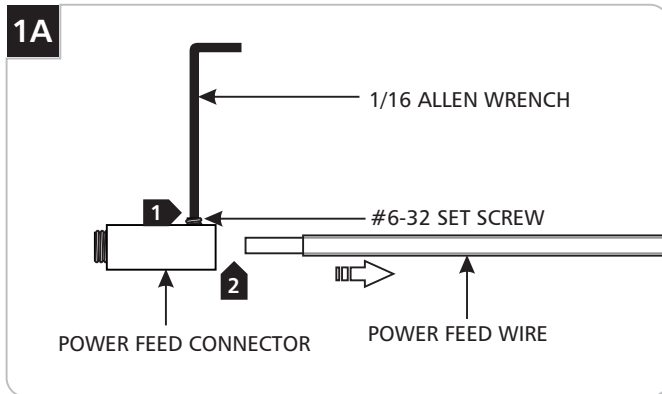
This product is suitable for indoor dry locations only.

Minimum volume of the electrical box must be 6 cubic inches (98 cubic centimeter).



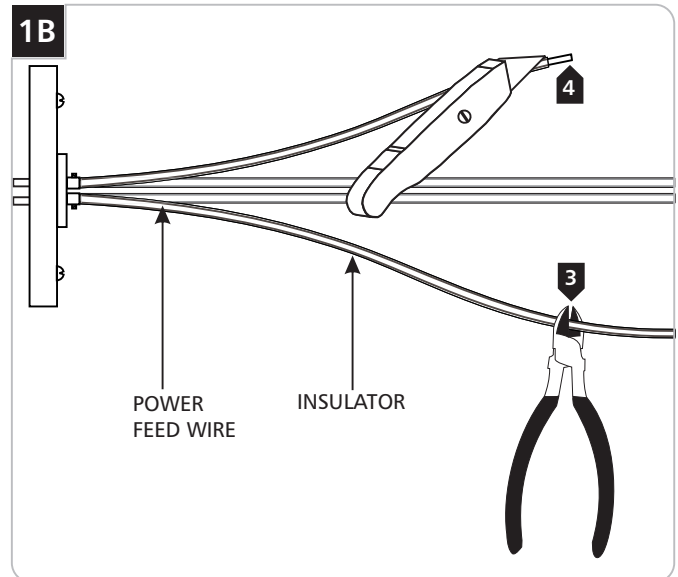
NOTE: The remote transformer(s) should be installed prior to these steps. Refer to the instruction provided with the remote transformer(s).

Resizing the Power Feed Wires



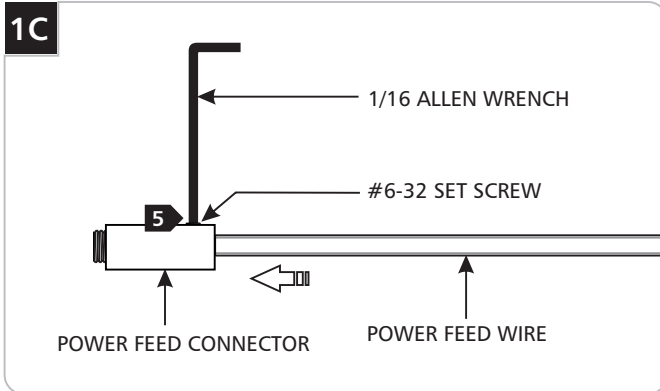
- 1 Loosen (Do Not Remove) the #6-32 set screw on the power feed connectors with the 1/16 Allen wrench.
- 2 Remove the power feed connectors.

NOTE: To avoid electrical shorts, do not remove the clear insulator.



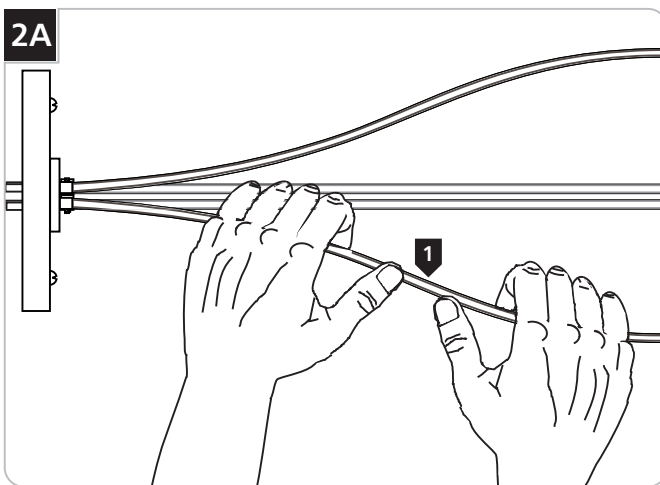
- 3 Cut the power feed wires and the clear insulators to the desired length with a sharp cutter.
- 4 Strip 1/4" end of the clear insulators for power connection with a sharp knife.

Install the 2" Square Power Feed Canopy

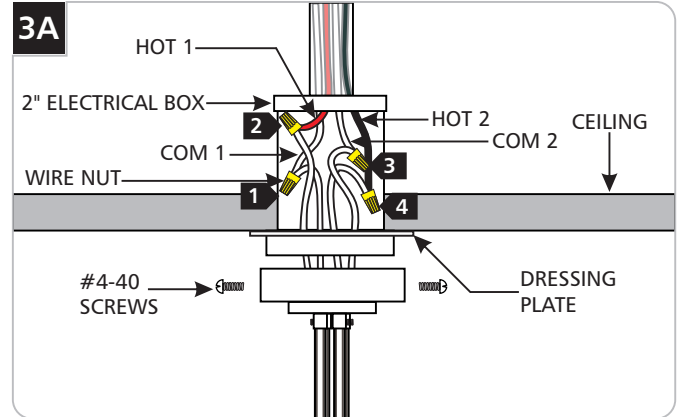


- 5 Feed the strip portion of the power feed wire all the way into the power feed connector hole and tighten the #6-32 set screw with the 1/16 Allen wrench. Repeat this step for the other power feed wire.

Shaping the Power Feed Wires



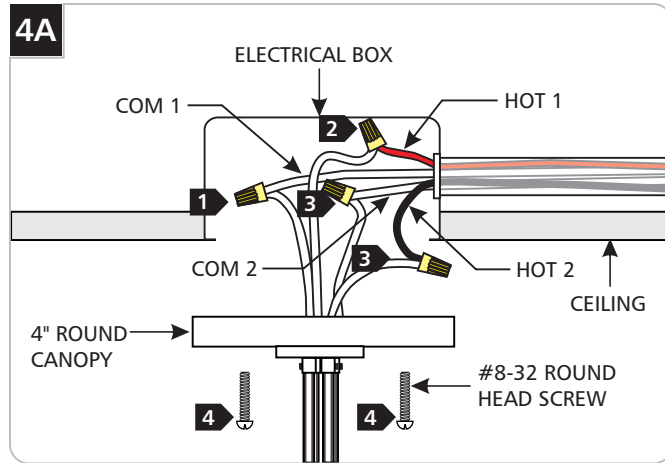
- 1 Bend the Power Feed wires to the desired shape with hands.



NOTE: 2" Electrical box should be installed prior to these steps. Refer to the instruction provided with the 2" electrical box.

- 1 Connect one canopy wire to the low voltage wire marked "COM 1" with a wire nut.
- 2 Connect one of the adjacent canopy wires to the low voltage wire marked "HOT 1" with a wire nut. These two canopy wires will power one of the feeds. Do not mix these canopy wires with the other two.
- 3 Connect the third and fourth canopy wires to "COM 2" and "HOT 2" wires with wire nuts. These two canopy wires will power the other feed. Do not mix these two canopy wires with the other two.
- 4 Mount the 2" square canopy to the power feed electrical box with the two #4-40 screws.

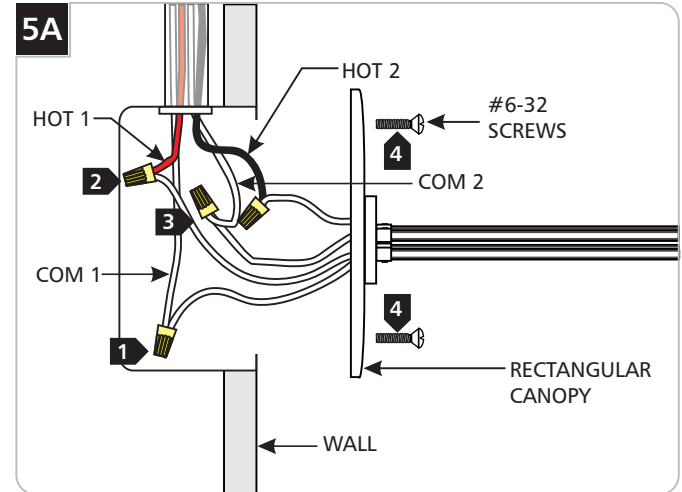
Install the 4" Round Power Feed Canopy



- 1 Connect one canopy wire to the low voltage wire marked "COM 1" with a wire nut.
- 2 Connect one of the adjacent canopy wires to the low voltage wire marked "HOT 1" with a wire nut. These two canopy wires will power one of the feeds. Do not mix these canopy wires with the other two.
- 3 Connect the third and fourth canopy wires to "COM 2" and "HOT 2" wires with wire nuts. These two canopy wires will power the other feed. Do not mix these two canopy wires with the other two.
- 4 Mount the 4" round power feed canopy to the electrical box with the two #8-32 screws.

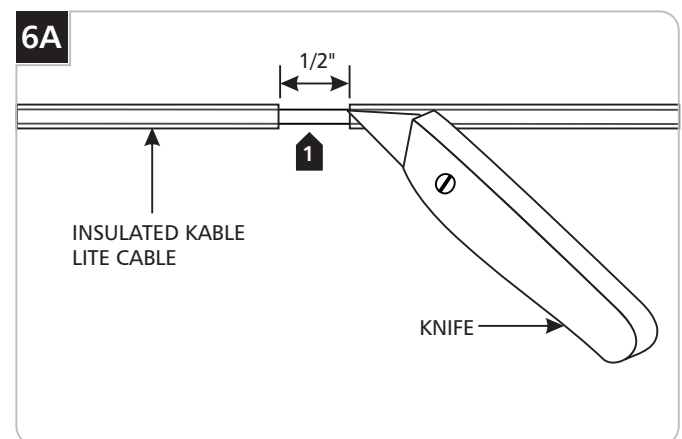
NOTE: Use the provided universal round crossbar when the canopy holes do not line up with the electrical box holes.

Install the Rectangular Power Feed Canopy



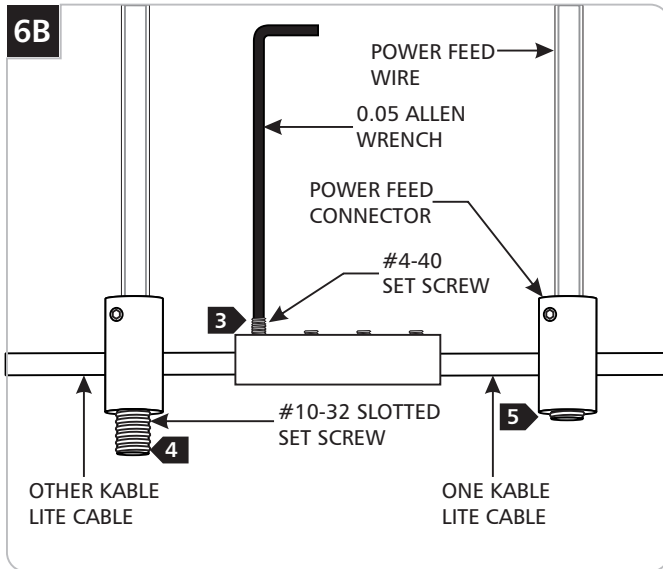
- 1 Connect one canopy wire to the low voltage wire marked "COM 1" with a wire nut.
- 2 Connect one of the adjacent canopy wires to the low voltage wire marked "HOT 1" with a wire nut. These two canopy wires will power one of the feeds. Do not mix these canopy wires with the other two.
- 3 Connect the third and fourth canopy wires to "COM 2" and "HOT 2" wires with wire nuts. These two canopy wires will power the other feed. Do not mix these two canopy wires with the other two.
- 4 Mount the rectangular power feed canopy to the electrical box with the two #6-32 screws.

Connecting the Power Feed Wires Directly to the Kable Lite Cables

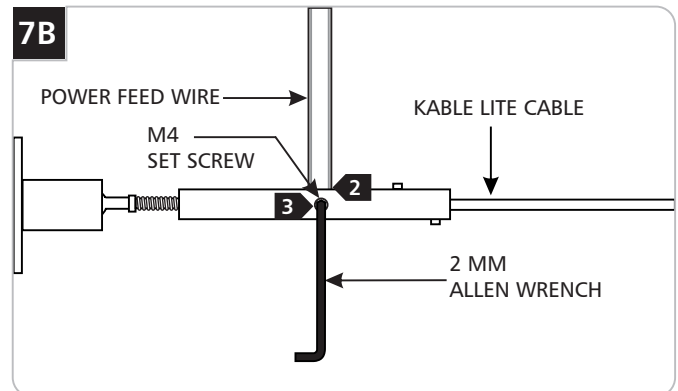
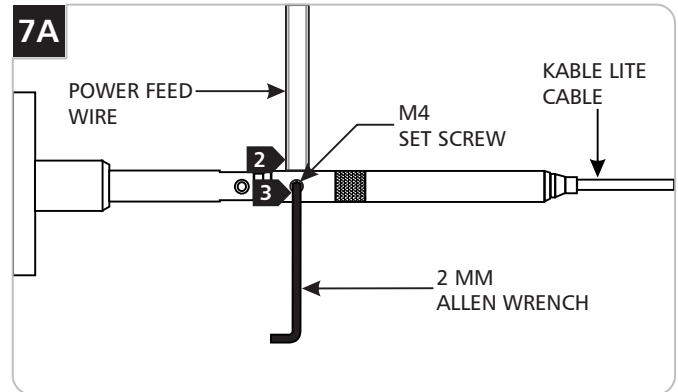


- 1 When using insulated Kable Lite cables, remove 1/2" of the insulation from each cables where the power feed connector is going to be mounted with a sharp knife. Make sure not to cut or nick the cable.

Connecting the Power Feed Wires to the Turnbuckles



- 2** Cut the Kable Lite cables at the point where the Kable Lite four power feed wires are going to be mounted. The Kable Lite insulator connector isolates the two circuits.
- 3** Feed the end of the Kable Lite cables into the Kable Lite insulator. Tighten the four #4-40 set screws with the 0.05 Allen wrench.
- 4** Unscrew the #10-32 slotted head screw from the tip of the power feed connectors with a screwdriver.
- 5** Place the power feed connectors one onto each Kable Lite cable and tighten the #10-32 slotted set screw on the tip with the screwdriver tight.



- 1** Remove the power feed connector by loosening the #6-32 set screw with the 1/16 Allen wrench (refer to figure 1A on page 1).
- 2** Feed the uninsulated portion of the power feed wire, one for each turnbuckle, into the turnbuckle hole.
- 3** Tighten the M4 set screw with the 2 MM Allen wrench.

SAVE THESE INSTRUCTIONS!



7400 Linder Ave, Skokie, IL 60077
847.410.4400

www.techlighting.com

© 2008 Tech Lighting, L.L.C. All rights reserved. The "Tech Lighting" graphic is a registered trademark of Tech Lighting, L.L.C. Tech Lighting reserves the right to change specifications for product improvements without notification.
A Generation Brands Company