

# Single Power Feed Canopies

700KP\_

1.7



## GENERAL PRODUCT INFORMATION:



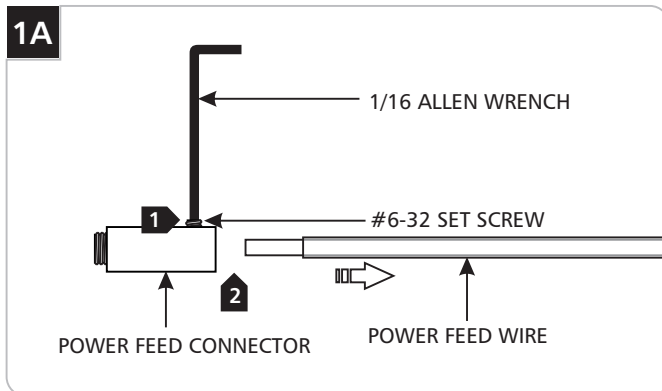
This product is suitable for indoor dry locations only.

Minimum volume of the electrical box must be 6 cubic inches (98 cubic centimeter).



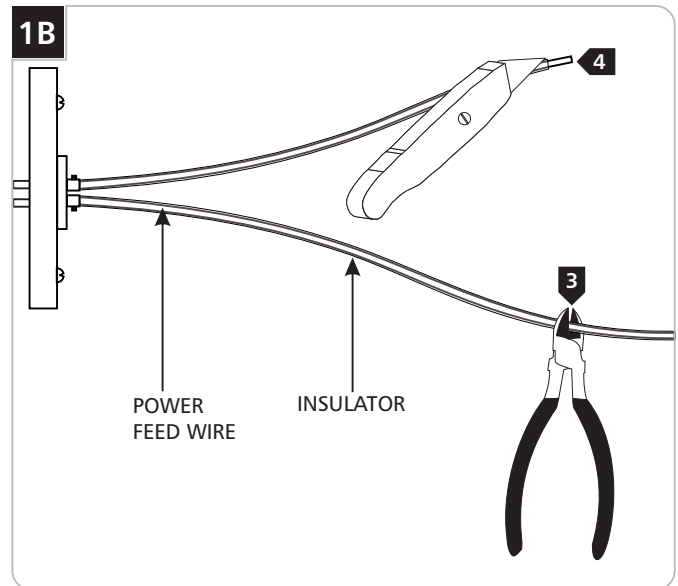
**NOTE:** The remote transformer should be installed prior to these steps. Refer to the instructions provided with the remote transformer.

## Resizing the Power Feed Wires

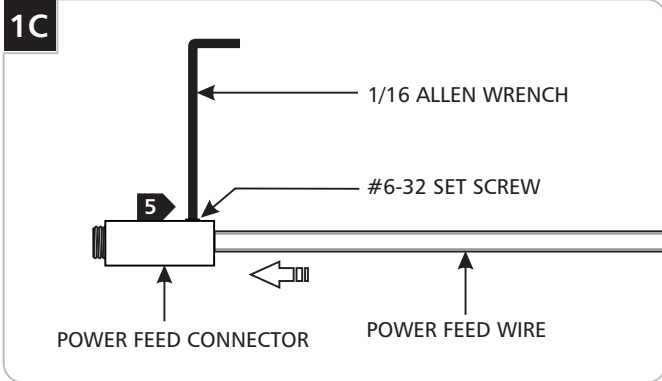


- 1 Loosen (Do Not Remove) the #6-32 set screw on the power feed connectors with the 1/16 Allen wrench.
- 2 Remove the power feed connectors.

**NOTE:** To avoid electrical shorts, do not remove the clear insulator.

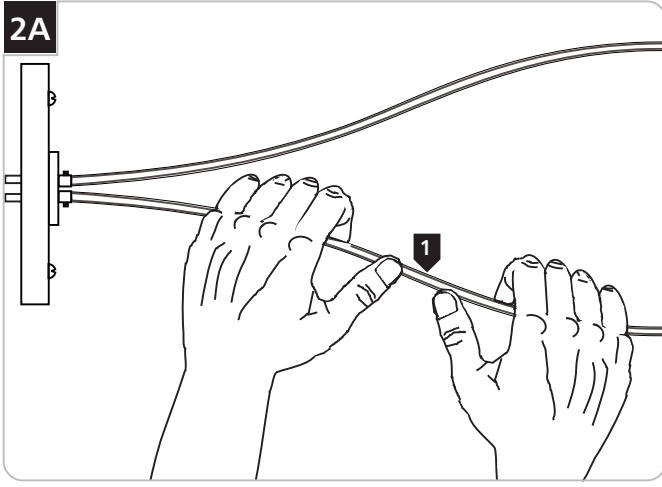


- 3 Cut the power feed wires and the clear insulators to the desired length with a sharp cutter.
- 4 Strip 1/4" end of the clear insulators for power connection with a sharp knife.



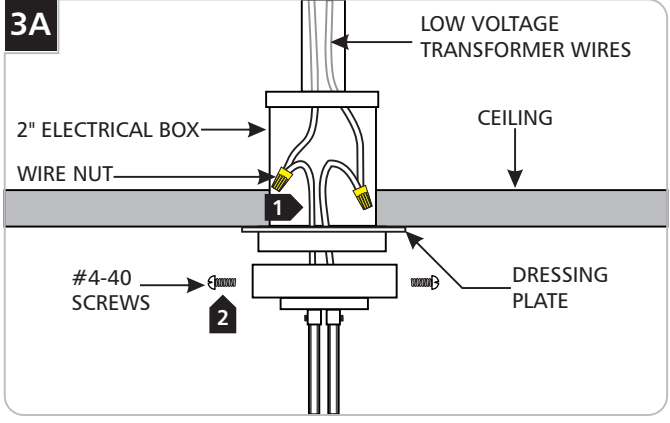
**5** Feed the strip portion of the power feed wire all the way into the power feed connector hole and tighten the #6-32 set screw with the 1/16 Allen wrench. Repeat this step for the other power feed wire.

### Shaping the Power Feed Wires



**1** Bend the Power Feed wires to the desired shape with hands.

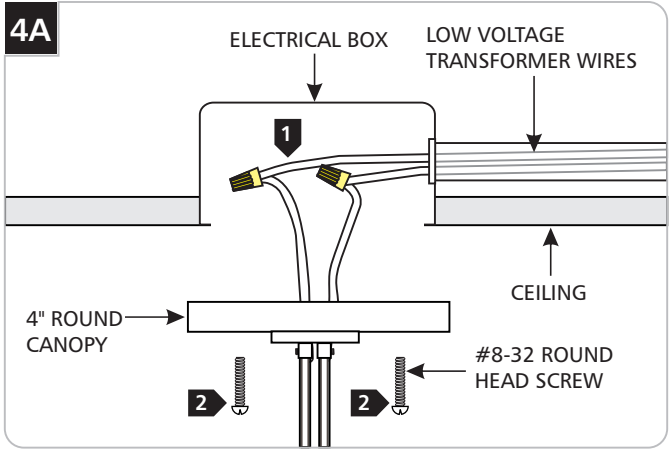
### Install the 2" Square Power Feed Canopy



**NOTE:** 2" Electrical box should be installed prior to these steps. Refer to the instructions provided with the 2" electrical box.

- 1** Connect the power feed canopy wires to the low voltage wires coming from the remote transformer in the 2" electrical box with wire nuts.
- 2** Mount the 2" square canopy to the 2" electrical box with the two #4-40 screws.

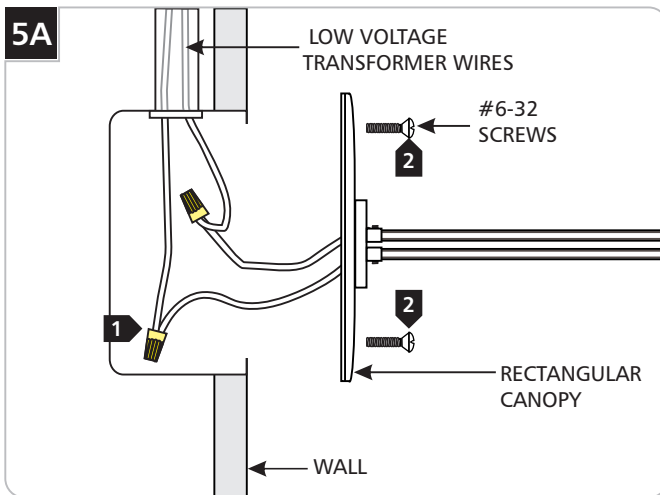
### Install the 4" Round Power Feed Canopy



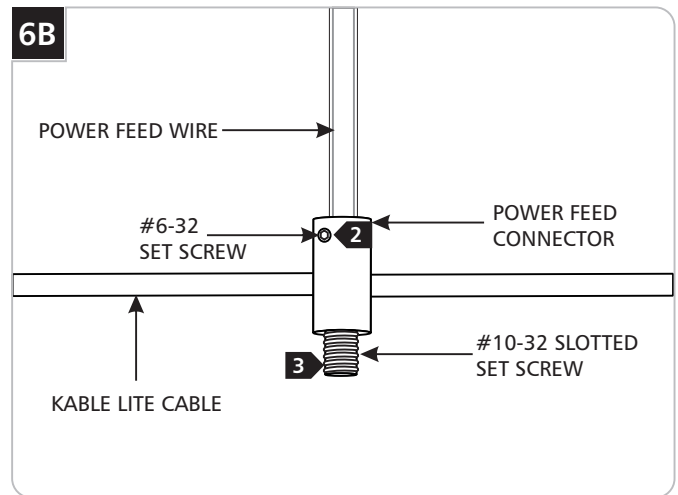
- 1** Connect the power feed canopy wires to the low voltage wires coming from the remote transformer in the electrical box with wire nuts.
- 2** Mount the 4" round power feed canopy to the electrical box with the two #8-32 screws.

**NOTE:** Use the provided universal round crossbar when the canopy holes do not line up with the electrical box holes.

## Install the Rectangular Power Feed Canopy

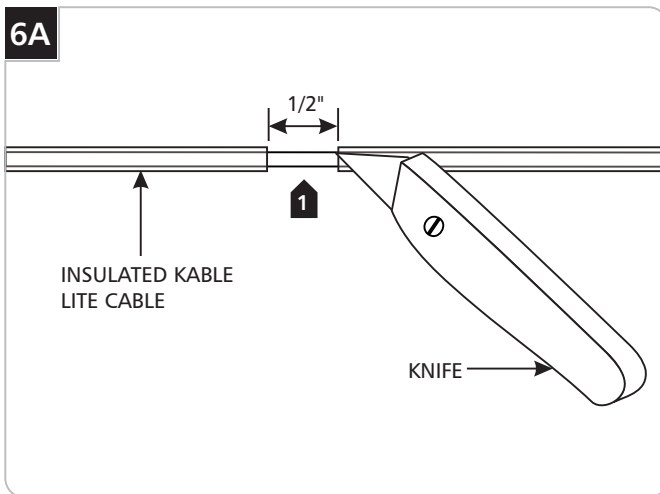


- 1 Connect the power feed canopy wires to the low voltage wires coming from the remote transformer in the electrical box with wire nuts.
- 2 Mount the rectangular power feed canopy to the electrical box with the two #6-32 screws.



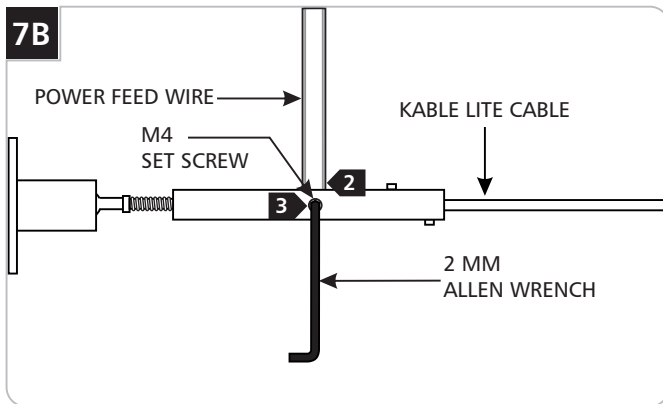
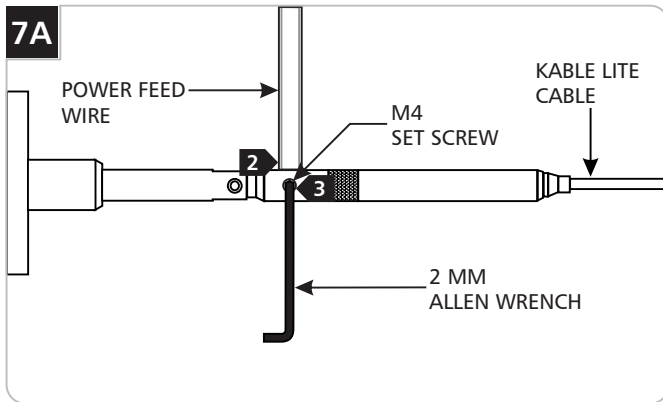
- 2 Unscrew the #10-32 slotted head screw from the tip of the power feed connectors with a screwdriver.
- 3 Place the power feed connectors one onto each Kable Lite cable and tighten the #10-32 slotted set screw on the tip with the screwdriver tight.

## Connecting the Power Feed Wires Directly to the Kable Lite Cables



- 1 When using insulated Kable Lite cables, remove 1/2" of the insulation from each cables where the power feed connector is going to be mounted with a sharp knife. Make sure not to cut or nick the cable.

## Connecting the Power Feed Wires to the Turnbuckles



- 1 Remove the power feed connector by loosening the #6-32 set screw with the 1/16 Allen wrench (refer to figure 1A on page 1).
- 2 Feed the uninsulated portion of the power feed wire, one for each turnbuckle, into the turnbuckle hole.
- 3 Tighten the M4 set screw with the 2 MM Allen wrench.

**SAVE THESE INSTRUCTIONS!**



**TECH LIGHTING®**

7400 Linder Ave, Skokie, IL 60077

847.410.4400

[www.techlighting.com](http://www.techlighting.com)

© 2008 Tech Lighting, L.L.C. All rights reserved. The "Tech Lighting" graphic is a registered trademark of Tech Lighting, L.L.C. Tech Lighting reserves the right to change specifications for product improvements without notification.

A Generation Brands Company