

# GRACE 48 CHANDELIER

## PRODUCT FEATURES

- Transitional Style
- Halo of light is gracefully created by two rings with integrated LED technology
- Ships with 12 feet of field-cuttable cable
- Protected by a 5-year warranty. Please visit the "About Us" Page on [techlighting.com](http://techlighting.com) for more for warranty details



## LAMPING

Includes 120 volt, 110 watt, 8229 total delivered lumens, 3000K LED module. Dimmable with most LED compatible ELV and TRIAC dimmers. Ships with 12 feet of field-cuttable cable.

Matte Black/Weathered Oak Wood



Matte Black/Weathered Oak Wood

Matte Black/Weathered Oak Wood Alt View

## ORDERING INFORMATION

700GRC	LENGTH (A)	FINISH	LAMP
	48 48"	BW MATTE BLACK/WEATHERED OAK WOOD	-LED930 INTEGRATED LED 90 CRI 3000K 120V

700GRC \_\_\_\_\_

JOB NAME \_\_\_\_\_

NOTES \_\_\_\_\_

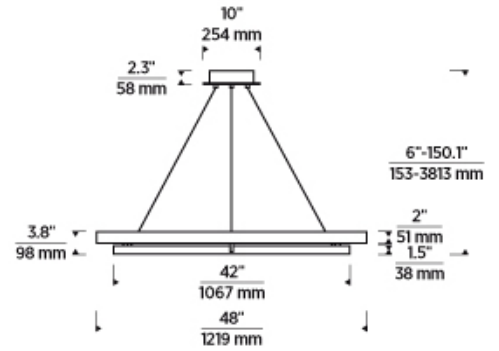
\_\_\_\_\_



# GRACE 48 CHANDELIER

## SPECIFICATIONS

PRIMARY MATERIAL	Aluminum
SHADE MATERIAL	Aluminum
NET WEIGHT	22 lbs
HEIGHT	3.8in
WIDTH	48in
LENGTH	48in
UP LIGHT / DOWN LIGHT / BOTH?	
WET LISTED	
DAMP LISTED	Yes
DRY LISTED	
MIN. HANGING HEIGHT	11.8in
MAX HANGING HEIGHT	149.8in
TOTAL CORD LENGTH	144in
TOTAL STEM LENGTH	
STEM QTY	
SLOPED CEILING ADAPTABLE?	Yes 45° Max
GENERAL LISTING	ETL Listed
INCLUDES	



## LAMPING SPECIFICATIONS

	LED LAMP	INTEGRATED LED	NON LED	NO LAMP
DELIVERED LUMENS		8229		
WATTS		110		
MAX WATTAGE PER BULB		110W		
INPUT VOLTAGE/ DIMMING TYPE		120V ELV, TRIAC		
CCT		3000K		
CRI		90 CRI		
LED LIFETIME				
L70		>50000		
AVERAGE BULB HOURS				
FIELD SERVICEABLE LED				
LAMP BASE		Integrated LED		
LAMP SHAPE		Integrated LED		
LAMP INCLUDED?		True		
WARRANTY**		5 Years		

\* Dimming information available at [www.techlighting.com/Downloads#dimming](http://www.techlighting.com/Downloads#dimming)

\*\* Visit [techlighting.com](http://techlighting.com) for specific warranty limitations and details.

## T20 / T24 / JA8 INFORMATION

	Integrated LED	Replacement LED Lamp	No Lamp *
This product can be used to comply with California Building Energy Efficiency Standards 2016 Title 24 Part 6 / JA8.	Yes		
This product can be used to comply with California Appliance Efficiency Standards 2016 Title 20 and may be shipped to and sold in California.	N/A		

\* If a light fixture or component does not include a lamp or light source, it is the responsibility of the customer to select a lamp that meets the T24 and T20 requirements.

