

# Dyna Linear Suspension Connector

700DYNASUSDAC\_ 1.0



**GENERAL PRODUCT INFORMATION:**



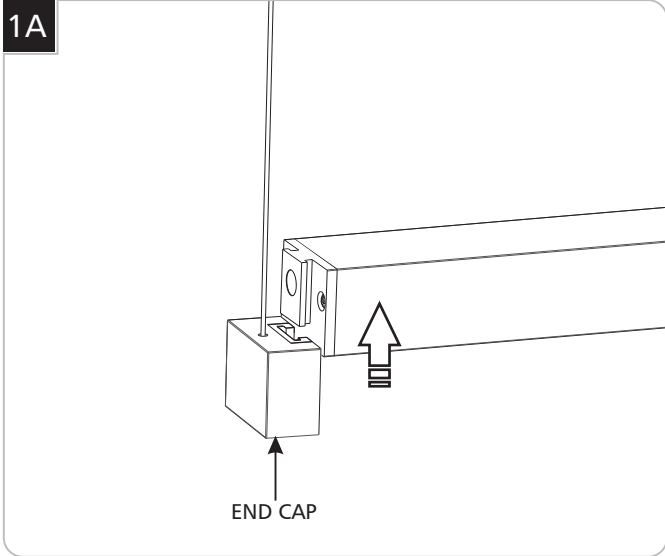
This product is suitable for damp locations.

This instruction shows a typical installation.

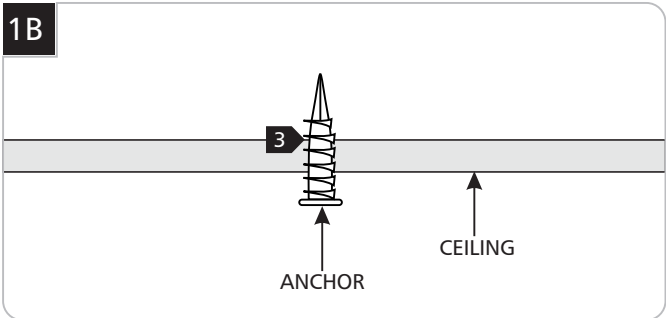


**CAUTION - RISK OF FIRE**  
 This product must be installed in accordance with the applicable installation code by a person familiar with the construction and operation of the product and the hazards involved.  
**Use minimum 90°C supply conductors.**

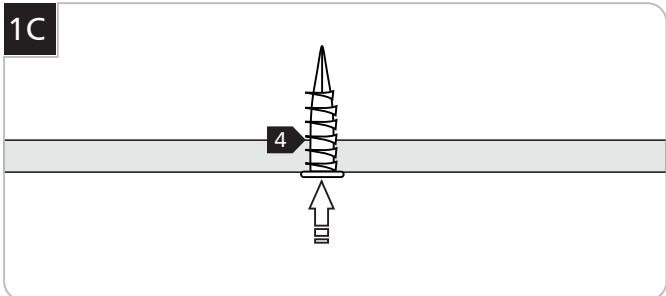
**SAVE THESE INSTRUCTIONS!**



- 1 Follow the enclosed instructions with the fixture and determine the layout. Make sure the power feed for either of the connecting fixtures is not located above the intersection of the two fixtures.
- 2 Remove the end cap by sliding the fixture out of the keyed slot on the end cap.

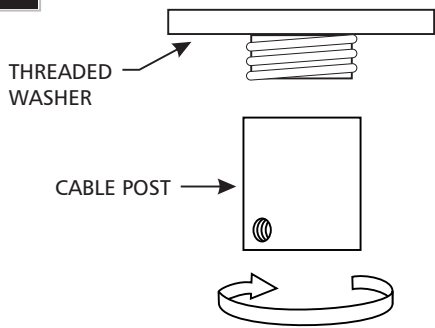


- 3 Tap the anchor at the marked point into the wall up to the threaded portion with a hammer.



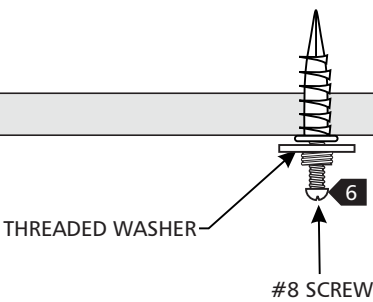
- 4 Screw the anchor in the rest of the way with a Phillips screwdriver.

1D



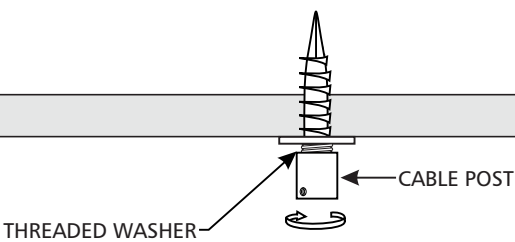
5 Unscrew the threaded washer to separate it from the cable post.

1E



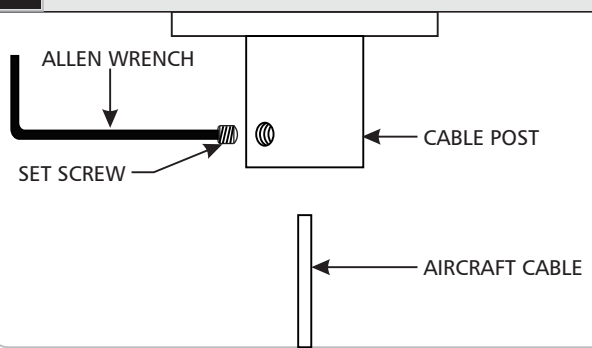
6 Screw the threaded washer onto the anchor with the long #8 screw.

1F



7 Tightly screw the cable post back onto the threaded washer.

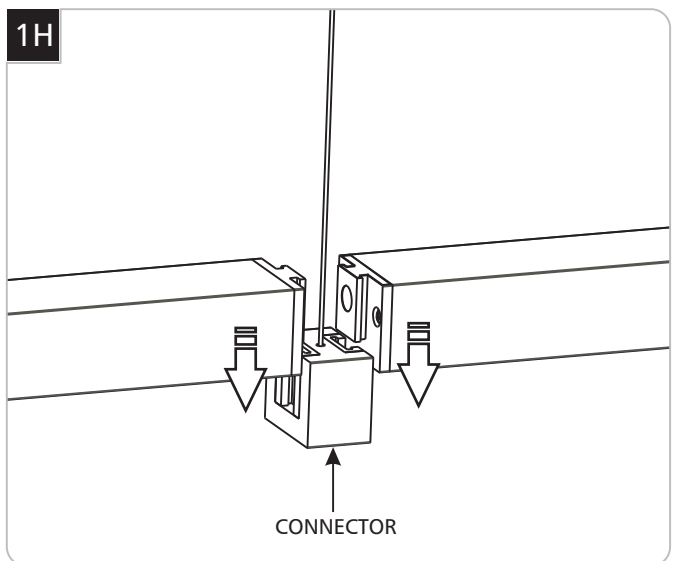
1G



8 Determine the desired hanging height and cut aircraft cable to length.

9 Feed the aircraft cable into the cable post and tighten the set screw with the provided Allen wrench.

1H



10 Slid one end of each fixture in to the keyed slot on the connector.

 **TECH LIGHTING**

7400 Linder Ave., Skokie, IL 60077  
T 847.410.4400 | F 847.410.4500  
www.techlighting.com