

## PRODUCT FEATURES

- Sleek and ultra-modern cylindrical glass shade
- Gorgeous pure optic crystal illuminated ring
- Ideal for kitchen island task lighting, bedroom lighting and home office lighting
- Complementary Dobson wall sconce, Dobson Pendant and Dobson Grande pendant also available by Tech Lighting
- The LED Driver is housed within the junction box for this product
- 5 year warranty with LED lamping option, visit [techlighting.com](http://techlighting.com) for more warranty details



## LAMPING

3-Light Shallow version includes 120 volt, 25 watt, 1821 delivered lumens, 3000K LED module. 3-Light Standard version includes 120 volt, 35 watt, 2135 delivered lumens, 3000K LED module. Dimmable with low-voltage electronic dimmer. ADA compliant (Shallow canopy version only).

Chrome  
Standard



Chrome  
Standard

Chrome  
Shallow

Matte Black  
Standard

Matte Black  
Shallow

## ORDERING INFORMATION

700BCDBS	SHAPE OR SIZE	FINISH	LAMP
	3H 3-LITE SHALLOW	C CHROME	-LED930 LED 90 CRI 3000K 120V
	3S 3-LITE STANDARD	B MATTE BLACK	-LED930-277 LED 90 CRI 3000K 277V

700BCDBS \_\_\_\_\_

JOB NAME \_\_\_\_\_

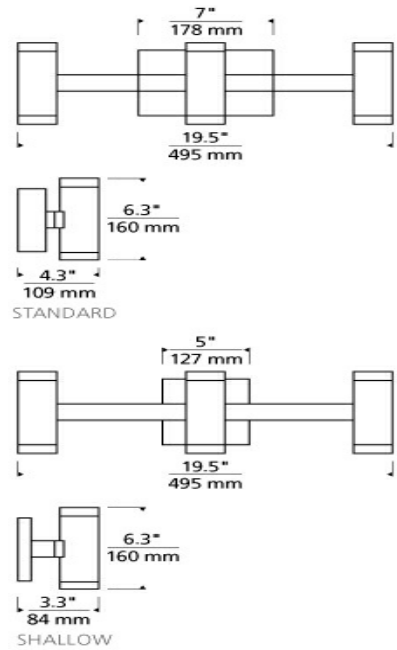
NOTES \_\_\_\_\_



# DOBSON II 3-LIGHT BATH

## SPECIFICATIONS

HARDWARE MATERIAL	Metal
SHADE MATERIAL	Glass
NET WEIGHT	4 lbs
HEIGHT	6.3in
WIDTH	3.3in
LENGTH	19.5in
WET LISTED	
DAMP LISTED	Yes
DRY LISTED	
GENERAL LISTING	ETL Listed
INCLUDES	



## LAMPING SPECIFICATIONS

	LED LAMP	INTEGRATED LED	NON LED	NO LAMP
DELIVERED LUMENS		2135 1821 1820		
WATTS		35 25		
MAX WATTAGE PER BULB		35W		
INPUT VOLTAGE		120V 277V		
DIMMING TYPE*		ELV, TRIAC 0-10V		
CCT		3000K		
CRI		90 CRI		
LED LIFETIME				
L70		>50000		
AVERAGE BULB HOURS				
FIELD SERVICEABLE LED				
LAMP BASE		Integrated LED		
LAMP SHAPE		Integrated LED		
LAMP INCLUDED?		True		
WARRANTY**		5 Years		

\* Dimming information available at [www.techlighting.com/Downloads#dimming](http://www.techlighting.com/Downloads#dimming)

\*\* Visit [techlighting.com](http://techlighting.com) for specific warranty limitations and details.

## T20 / T24 / JA8 INFORMATION

	Integrated LED	Replacement LED Lamp	No Lamp *
This product can be used to comply with California Building Energy Efficiency Standards 2016 Title 24 Part 6 / JA8.	Yes		
This product can be used to comply with California Appliance Efficiency Standards 2016 Title 20 and may be shipped to and sold in California.	N/A		

\* If a light fixture or component does not include a lamp or light source, it is the responsibility of the customer to select a lamp that meets the T24 and T20 requirements.

