

Devin Pendant

700TDDEVP_ 1.1



PENDANTS

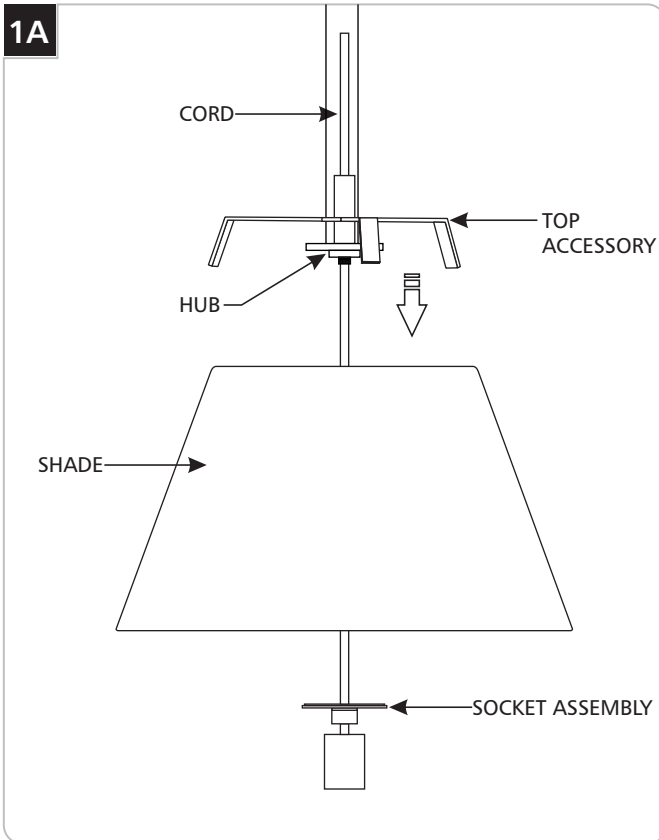
GENERAL PRODUCT INFORMATION:



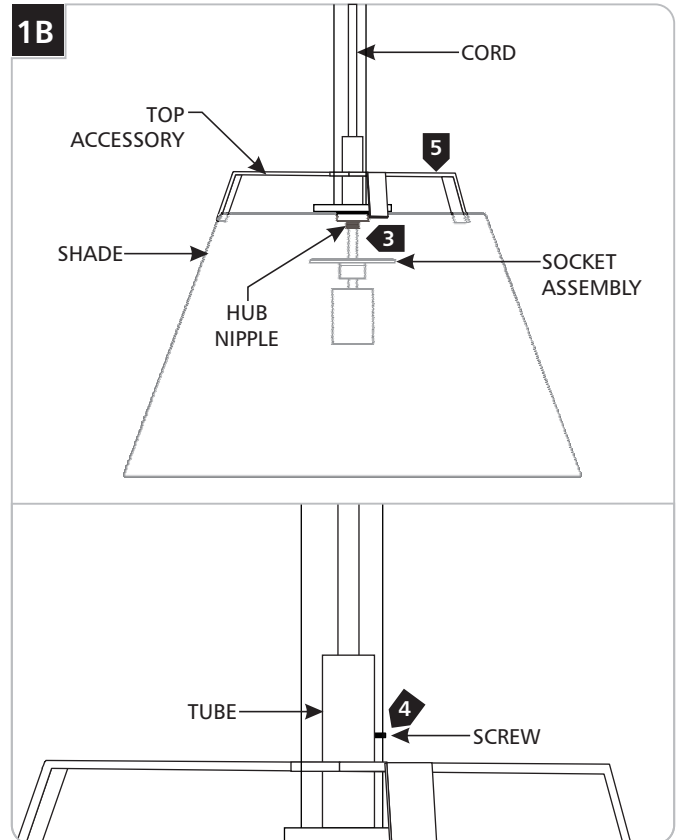
This product is suitable for damp locations.



Assemble the Pendant



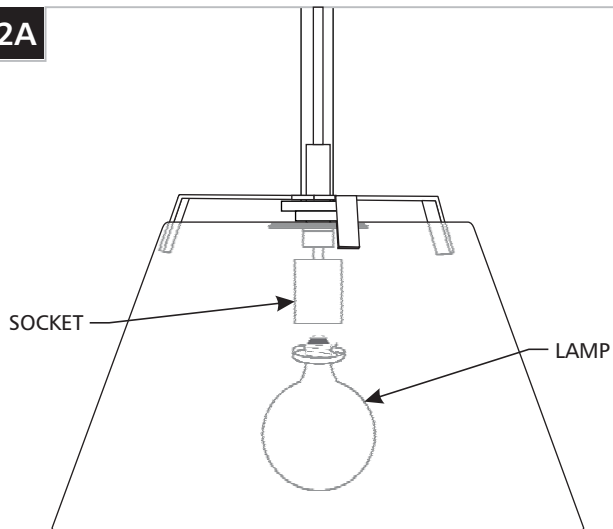
- 1** Feed the fixture cord through the shade, hub, and top accessory (in that order).
- 2** Slide the hub and top accessory down the cord and onto the top of the shade.



- 3** Pull the cord up through the shade and screw the socket assembly to the hub nipple.
- 4** Tighten the screw on the tube.
- 5** Position the top accessory so that it is centered to the shade.

Install the Lamp

2A



CAUTION: To reduce the risk of a burn or electric shock during re-lamping, disconnect the power to the fixture.

Refer to fixture marking for lamp information.

- 1 Screw the lamp into the socket.

SAVE THESE INSTRUCTIONS!



7400 Linder Ave, Skokie, IL 60077
847.410.4400

www.techlighting.com

© 2016 Tech Lighting, L.L.C. All rights reserved. The "Tech Lighting" graphic is a registered trademark of Tech Lighting, L.L.C. Tech Lighting reserves the right to change specifications for product improvements without notification.

A Generation Brands Company