



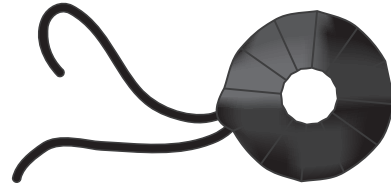
ACCESSORIES

GENERAL PRODUCT INFORMATION:

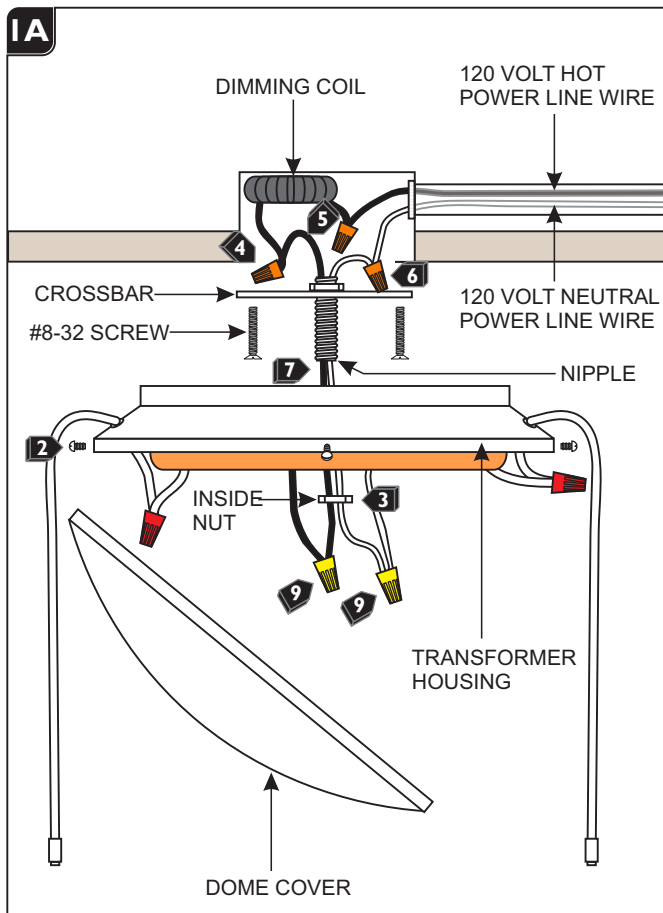
This product is suitable for dry locations only.



This product must only be used with Generation Brands low-voltage systems.

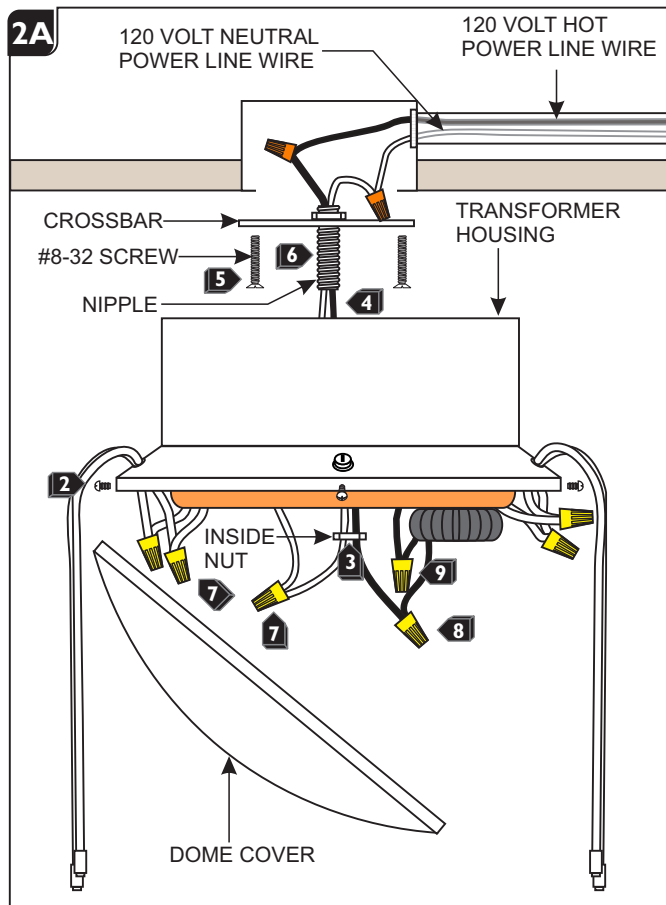


**Install the Dimming Coil in Surface
150 Watt Transformers**



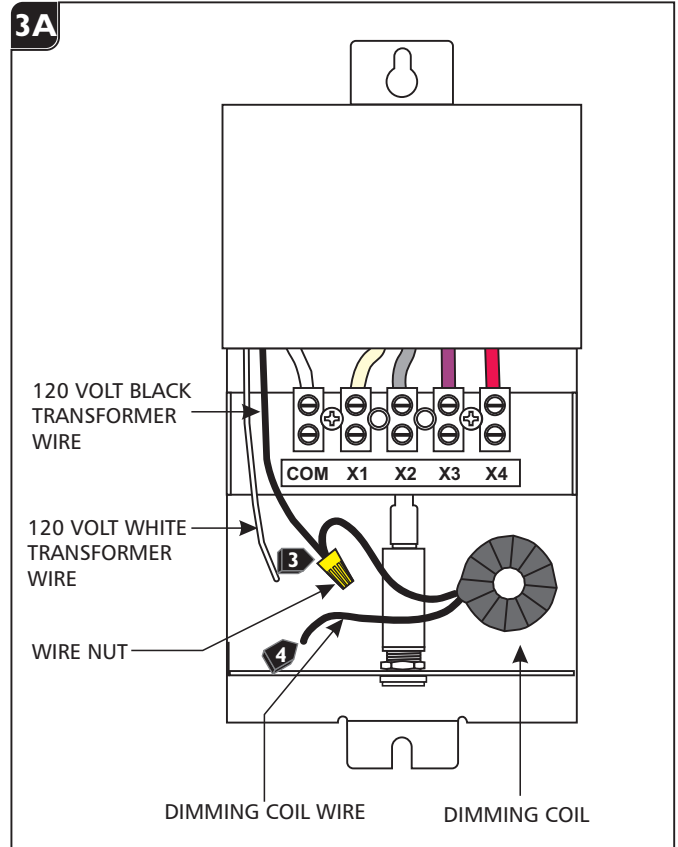
- 1** Turn the power to the electrical box off.
- 2** On side of the transformer canopy, remove the #4-40 Phillips head screws and lift the dome cover off.
- 3** Loosen the inside nut and remove the crossbar with the attached nipple.
- 4** Connect one dimming coil wire to the 120 volt hot power line wire with a wire nut.
- 5** Connect the other dimming coil wire to the black extension wire with a wire nut.
- 6** Connect the 120 volt neutral power line wire to the white extension wire with a wire nut.
- 7** Feed the extension wires through the nipple attached to the crossbar and mount the crossbar to the electrical box with the two #8-32 screws.
- 8** Slip the transformer housing onto the nipple and secure it with the inside nut.
- 9** Connect the black and white extension wire to the black and white 120 volt transformer wires respectively with wire nuts.
- 10** Refer to the instructions provided with the surface mount transformers to complete the installation.

Install the Dimming Coil in All Other Surface Transformers



- 1 Turn the power to the electrical box off.
- 2 On side of the transformer canopy, remove the #4-40 Phillips head screws and lift the dome cover off.
- 3 Loosen the inside nut and remove the crossbar with the attached nipple.
- 4 Connect the black and white extension wires to the hot and neutral power line wires respectively with wire nuts.
- 5 Feed the extension wires through the nipple attached to the crossbar and mount the crossbar to the electrical box with the two #8-32 screws.
- 6 Slip the transformer housing onto the nipple and secure it with the inside nut.
- 7 Connect the white extension wire to the 120 volt white transformer wire with a wire nut.
- 8 Connect the black extension wire to one of the dimming coil wire (either one) with a wire nut.
- 9 Connect the other dimming coil wire to the 120 volt black transformer wire with a wire nut.
- 10 Refer to the instructions provided with the surface mount transformers to complete the installation.

Install the Dimming Coil in Remote Magnetic Transformers



- 1 Remove transformer cover by loosening the two Phillips screws on the side of the transformer.
- 2 Locate the 120 volt transformer black and white wires.
- 3 Connect one dimming coil wire (either one) to the 120 volt black transformer wire with a wire nut.
- 4 The other dimming coil wire will be used as 120 Volt black transformer wire for power connection. Refer to the instruction provided with the remote transformer.

SAVE THESE INSTRUCTIONS!

TECH LIGHTING®

7400 Linder Ave, Skokie, IL 60077

847.410.4400

www.techlighting.com

© 2020 Tech Lighting, L.L.C. All rights reserved.

Visual Comfort & Co.