

CROSBY MEDIUM CHANDELIER

PRODUCT FEATURES

- Blends the radiance of 1970's Italian flair, with a striking yet simple design
- Supplied with a optional brass cap for a customized look
- Striking option for an entry vestibule or in a series down a large hallway
- Includes (2) 6" and (4) 12" rigid stems in coordinating finish.
- Fully dimmable integrated LED lamp
- Protected by a 5-year warranty. Please visit the "About Us" Page on techlighting.com for more for warranty details



LAMPING

Includes 32 watts, 2505 total delivered lumens, 2700K LED modules. Dimmable with most LED compatible ELV and Triac dimmers. 277V dimmable with 0-10V dimmers. Ships with (4) 12" and (2) 6" rigid stems in coordinating finish. Can be installed on a sloped ceiling up to 20°. 120V or 277V.

Black/Brass



Black/Brass

Black/Brass (Alt)

ORDERING INFORMATION

700CRBY	SHAPE OR SIZE	FINISH	LAMP
	6 6 LIGHT	BNB GLOSSY BLACK/NATURAL BRASS	-LED927 INTEGRATED LED 90 CRI 2700K 120V -LED927-277 INTEGRATED LED 90 CRI 2700K 277V

700CRBY _____

JOB NAME _____

NOTES _____

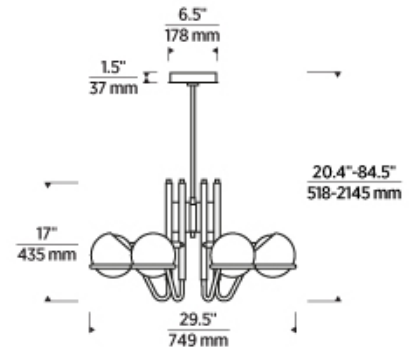


CROSBY MEDIUM CHANDELIER



SPECIFICATIONS

HARDWARE MATERIAL	Metal
SHADE MATERIAL	Glass
NET WEIGHT	31.5 lbs
HEIGHT	17in
WIDTH	29.5in
LENGTH	29.5in
UP LIGHT / DOWN LIGHT / BOTH?	
WET LISTED	
DAMP LISTED	Yes
DRY LISTED	
MIN. HANGING HEIGHT	20.4in
MAX HANGING HEIGHT	84.5in
TOTAL CORD LENGTH	
TOTAL STEM LENGTH	Up to 60in
STEM QTY	6
SLOPED CEILING ADAPTABLE?	Yes 20° Max
GENERAL LISTING	ETL Listed
INCLUDES	



LAMPING SPECIFICATIONS

	LED LAMP	INTEGRATED LED	NON LED	NO LAMP
DELIVERED LUMENS		2505		
WATTS		32		
MAX WATTAGE PER BULB		32W		
INPUT VOLTAGE		120V 277V		
DIMMING TYPE*		ELV, TRIAC 0-10V		
CCT		2700K		
CRI		90 CRI		
LED LIFETIME				
L70		>50000		
AVERAGE BULB HOURS				
FIELD SERVICEABLE LED				
LAMP BASE		Integrated LED		
LAMP SHAPE		Integrated LED		
LAMP INCLUDED?		True		
WARRANTY**		5 Years		

* Dimming information available at www.techlighting.com/Downloads#dimming

** Visit techlighting.com for specific warranty limitations and details.

T20 / T24 / JA8 INFORMATION

	Integrated LED	Replacement LED Lamp	No Lamp *
This product can be used to comply with California Building Energy Efficiency Standards 2016 Title 24 Part 6 / JA8.	Yes		
This product can be used to comply with California Appliance Efficiency Standards 2016 Title 20 and may be shipped to and sold in California.	N/A		

* If a light fixture or component does not include a lamp or light source, it is the responsibility of the customer to select a lamp that meets the T24 and T20 requirements.

