

CASEN DRUM FLUSH MOUNT

PRODUCT FEATURES

- Features a sleek glass shade that's suspended from a handsome die-cast metal band
- Even generous light output free of hot spots and offensive glare
- Cleverly concealed LED light source
- Crafted by European glass artisans
- Ideal for hallways, bathrooms and bedrooms
- 5 year warranty with LED lamping



Clear/Satin Nickel



Clear/Satin Nickel

Clear/Satin Nickel
OFF

Clear/Satin Nickel
ALT

LAMPING

Includes 15 watt, 1256 delivered lumen, 3000K LED module. Dimmable with most LED compatible ELV or Triac dimmers. 277V compatible with 0-10V dimmers.

ORDERING INFORMATION

700FMCASD COLOR	FINISH	LAMP
C CLEAR	S SATIN NICKEL	-LED830 LED 80 CRI 3000K 120V -LED830-277 LED 80 CRI 3000K 277V

700FMCASD _____

JOB NAME _____

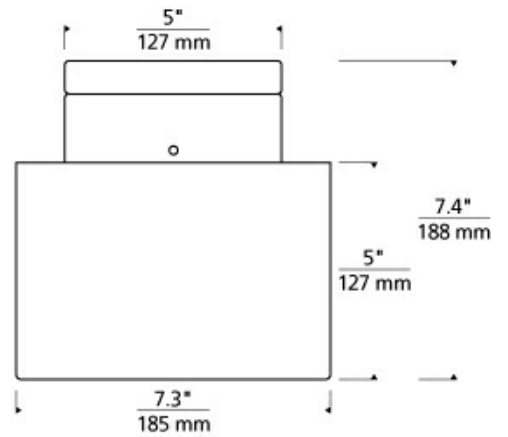
NOTES _____



CASEN DRUM FLUSH MOUNT

SPECIFICATIONS

HARDWARE MATERIAL	Metal
SHADE MATERIAL	Glass
NET WEIGHT	5 lbs
HEIGHT	7.4in
WIDTH	7.3in
LENGTH	7.3in
UP LIGHT / DOWN LIGHT / BOTH?	
WET LISTED	
DAMP LISTED	
DRY LISTED	
WALL / CEILING MOUNT	
GENERAL LISTING	ETL Listed
INCLUDES	



LAMPING SPECIFICATIONS

	LED LAMP	INTEGRATED LED	NON LED	NO LAMP
DELIVERED LUMENS		1256		
WATTS		15		
MAX WATTAGE PER BULB		15W		
INPUT VOLTAGE		120V 277V		
DIMMING TYPE*		Clear : ELV, TRIAC Clear : 0-10V		
CCT		3000K		
CRI		90 CRI		
LED LIFETIME		>50000		
L70				
AVERAGE BULB HOURS				
FIELD SERVICEABLE LED				
LAMP BASE		Integrated LED		
LAMP SHAPE		Integrated LED		
LAMP INCLUDED?		Y		
WARRANTY**		5 Years		

* Dimming information available at www.techlighting.com/Downloads#dimming

** Visit techlighting.com for specific warranty limitations and details.

T20 / T24 INFORMATION

	Integrated LED	Replacement LED Lamp	No Lamp *
This product can be used to comply with California Building Energy Efficiency Standards 2016 Title 24 Part 6.	No		
This product can be used to comply with California Appliance Efficiency Standards 2016 Title 20 and may be shipped to and sold in California.	N/A		

* If a light fixture or component does not include a lamp or light source, it is the responsibility of the customer to select a lamp that meets the T24 and T20 requirements.

