

# Candora 19, 29, and 34 Chandelier

700CNDR\_ 1.0

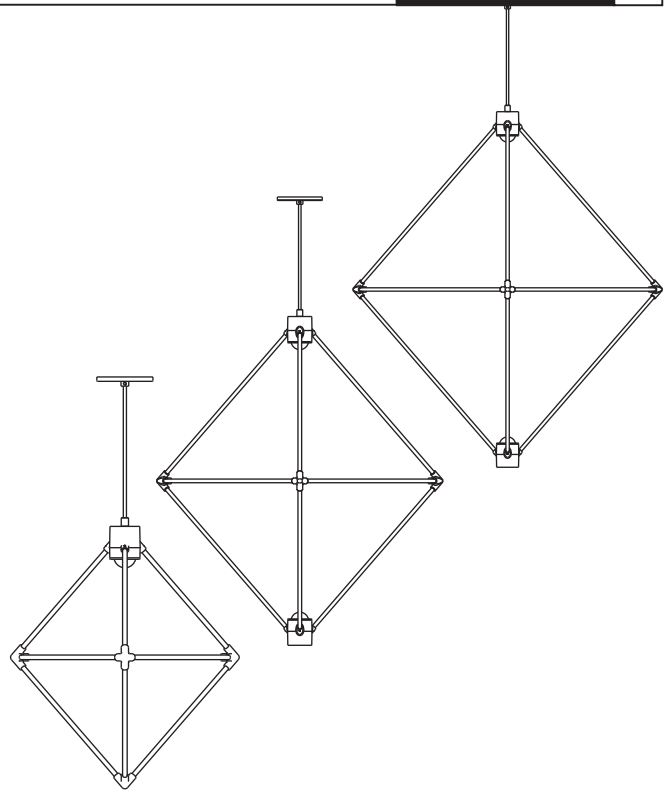


## GENERAL PRODUCT INFORMATION:

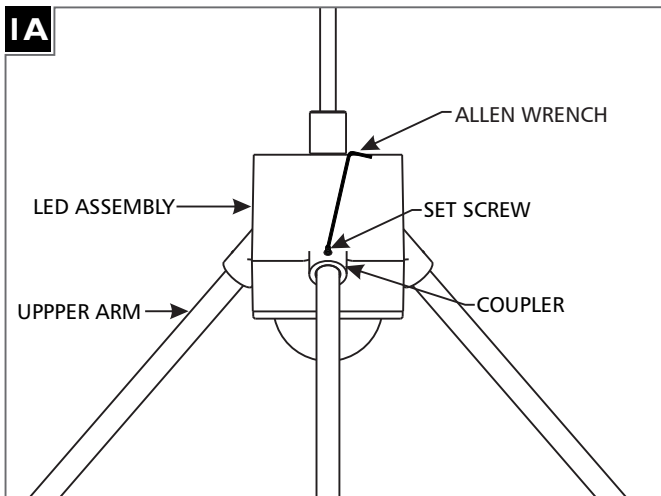
These fixtures are intended to be installed utilizing NEC compliant junction boxes.



This product is suitable for damp locations.



## Assemble the Fixture

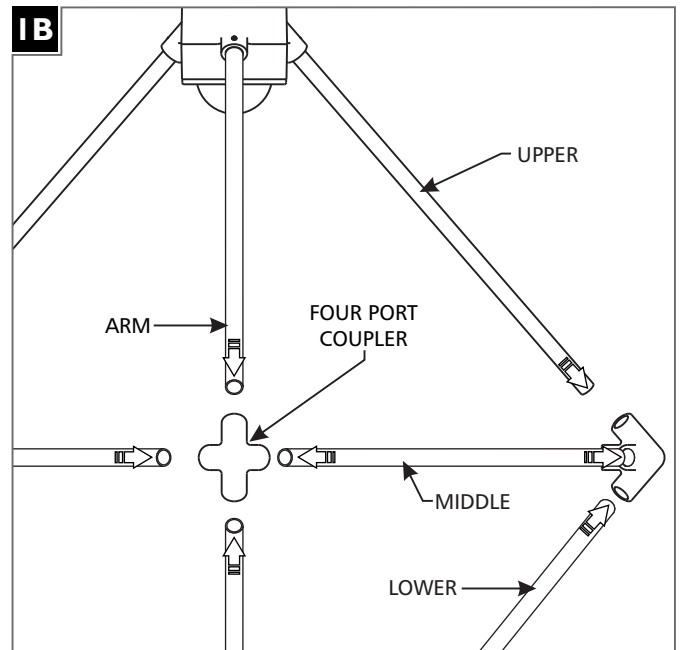


**Note:** Candora 29 and 34 fixtures have two pre-assembled arms with fixture wires running through them.

**Note:** Arms are separated into upper, middle and lower arms.

**1** Loosen (do not remove) the set screws on the LED assembly couplers using the provided Allen wrench. **Note:** Candora 29 and 34 have two LED assemblies.

**2** Insert the arms into the couplers and secure them by re-tightening the set screws using the provided Allen wrench.



**3** Install the remaining arms by inserting them into the four port couplers. Make sure arms are fully inserted.

**SAVE THESE INSTRUCTIONS!**



**TECH LIGHTING®**

7400 Linder Ave, Skokie, IL 60077

847.410.4400

[www.techlighting.com](http://www.techlighting.com)

© 2019 Tech Lighting, L.L.C. All rights reserved. The "Tech Lighting" graphic is a registered trademark of Tech Lighting, L.L.C. Tech Lighting reserves the right to change specifications for product improvements without notification.

A Generation Brands Company