

Arkay Bollard

7000BARK_

1.0



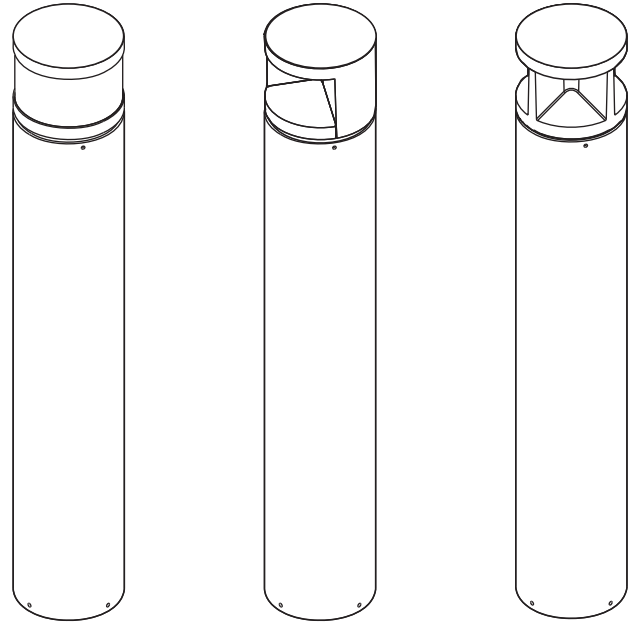
GENERAL PRODUCT INFORMATION:

This product is suitable for wet locations.

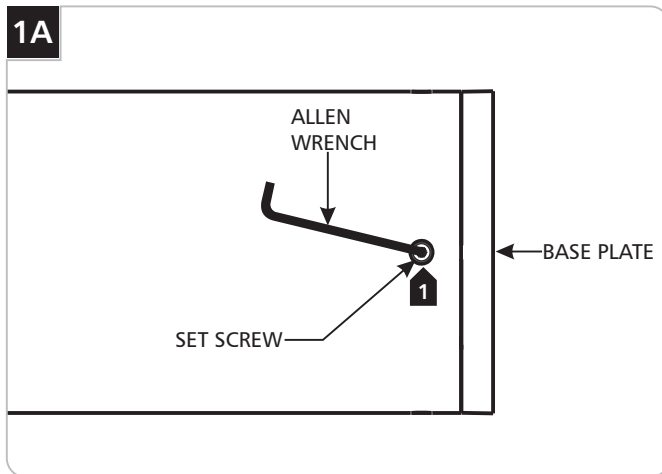
Refer to product specsheet for dimming information.



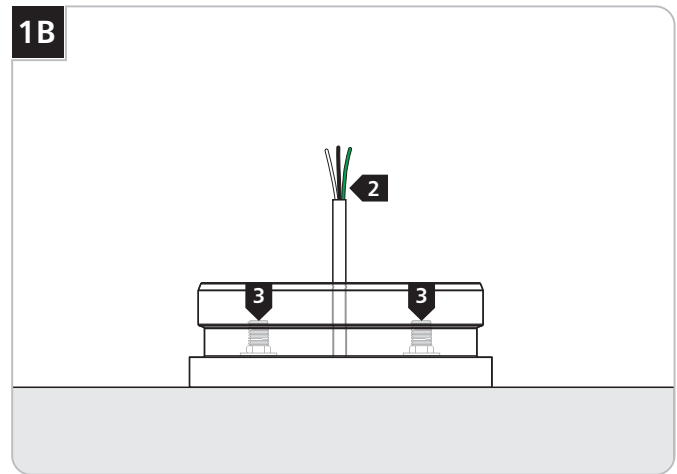
CAUTION - RISK OF FIRE
 This product must be installed in accordance with the applicable installation code by a person familiar with the construction and operation of the product and the hazards involved.
 Use minimum 90°C supply conductors.



Prepare the Fixture

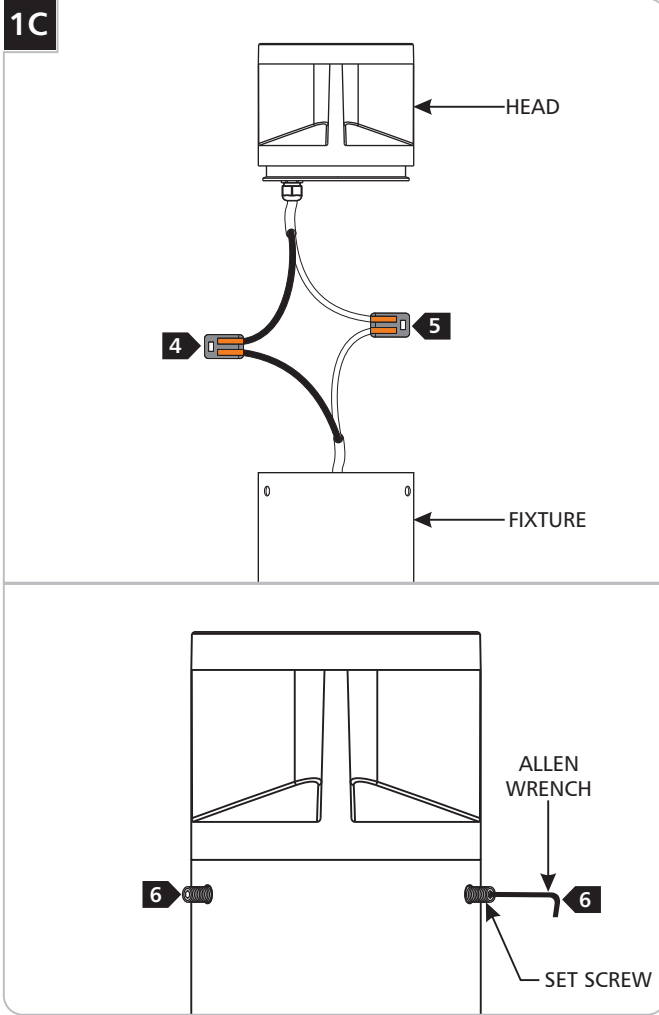


1 Loosen (**Do Not Remove**) the set screws on fixture base with the provided Allen wrench and remove the base plate.



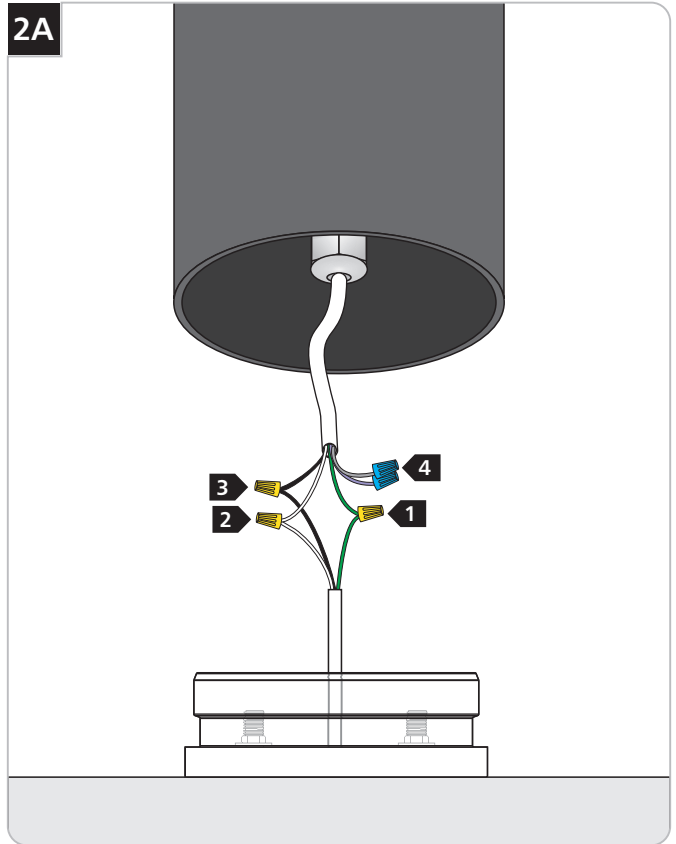
- 2** Bring the power wires to the fixture location in accordance with local electrical codes.
- 3** Mount the base plate to an even and smooth surface using the provided template on page 4.

Wire the Fixture



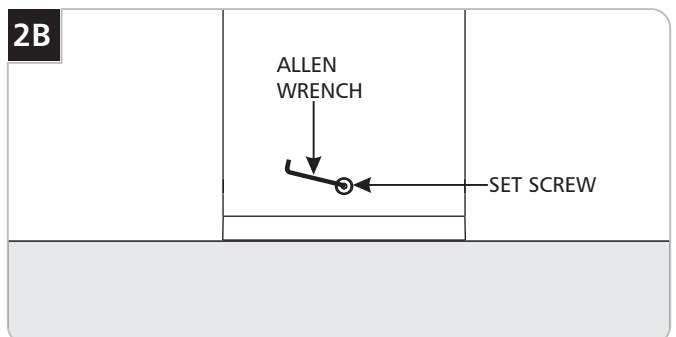
Note: If necessary, use the following steps to install the head onto the fixture. If head is already installed, skip this step.

- 4 Connect the white wire from the head to the white fixture wire using a provided connector.
- 5 Connect the black wire from the head to the black fixture wire using a provided connector.
- 6 Place the head on the fixture and secure them together by tightening the set screws using the provided Allen wrench.



- 1 Connect the fixture to a suitable ground in accordance with local electrical codes.
- 2 Connect the white fixture wire to one of the low-voltage power line wires with a wire nut.
- 3 Connect the black fixture wire to the remaining low-voltage power line wire with a wire nut.
- 4 Use the gray and purple dimming wires for 0-10v dimming application (if not in use, make sure to cap these wires off).

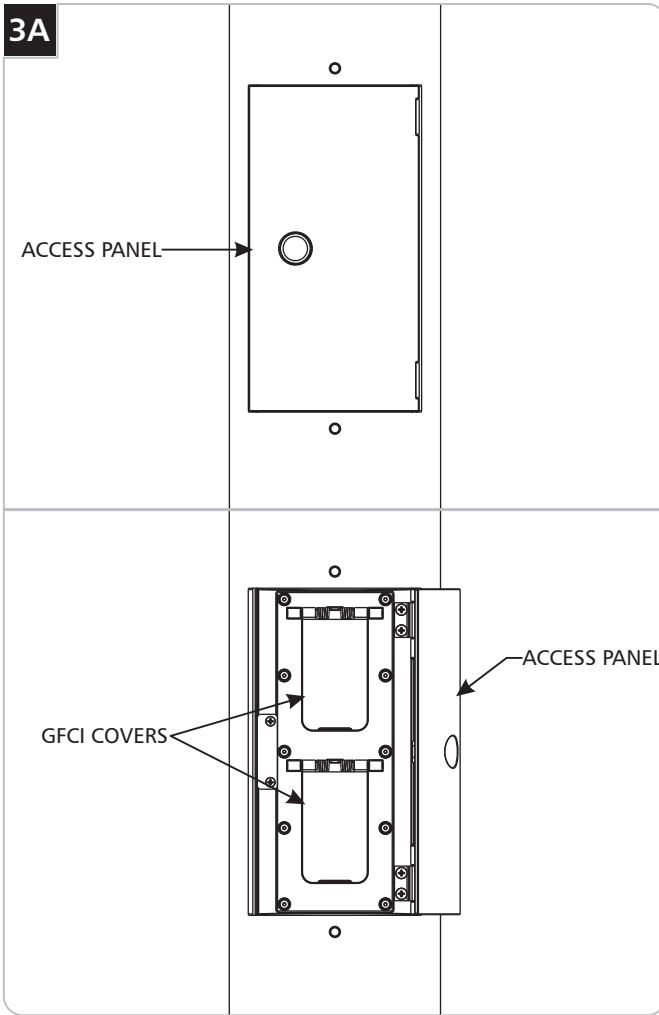
Warning: The purple and gray wires are only used for 0-10v dimming. For all other applications, do not connect the gray and purple wires.



- 5 Carefully install the fixture onto the base plate and secure it in place by tightening all set screws.

Ground Fault Circuit Interrupter Models Only (GFCI)

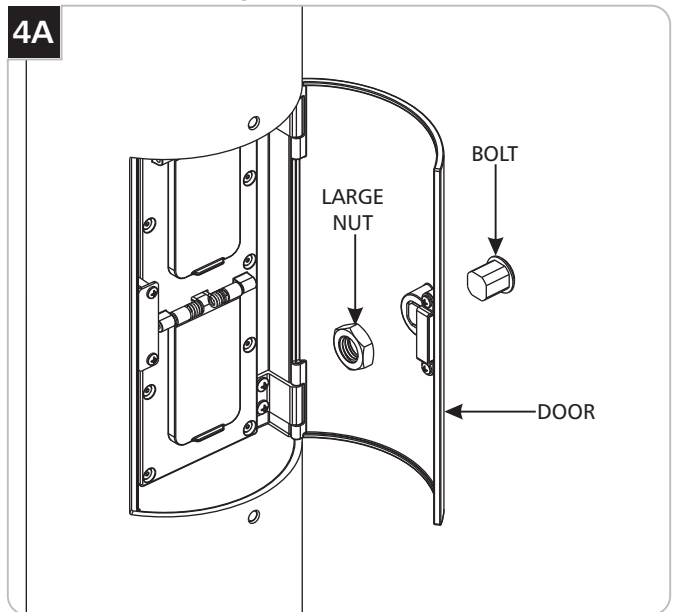
3A



- 1 To use Ground Fault Circuit Interrupter (GFCI), open the access panel and lift the GFCI cover.

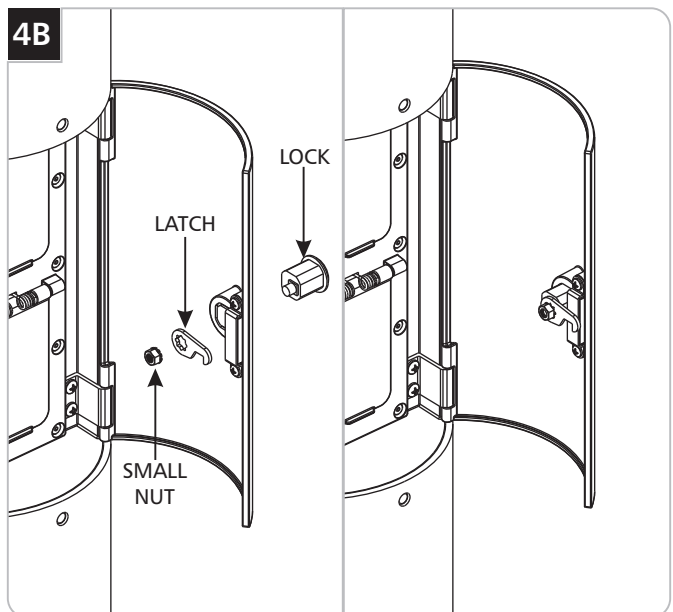
Install Lock GFCI Models Only (optional)

4A



- 1 Unscrew the nut from the bolt, then remove the bolt from the door.

4B



- 2 Unscrew and remove the small nut from the lock followed by the latch.
- 3 Install the lock to the door using the latch and small nut as shown.

SAVE THESE INSTRUCTIONS!



7400 Linder Ave, Skokie, IL 60077

847.410.4400

www.techlighting.com

© 2019 Tech Lighting, L.L.C. All rights reserved. The "Tech Lighting" graphic is a registered trademark of Tech Lighting, L.L.C. Tech Lighting reserves the right to change specifications for product improvements without notification.

A Generation Brands Company

ARKAY BOLLARD MOUNTING PLATE TEMPLATE

WARNING: If printing this template, ensure printer settings are set to actual size.

