

# ALLEA PENDANT

## PRODUCT FEATURES

- Contemporary design inspired by the clean lines of an industrial setting
- Spun metal surface provides a sophisticated finish
- Available in three modern finishes
- Ideal for kitchen island task lighting, home office lighting and hallway lighting
- Fully dimmable lamping options create the desired ambiance in your unique space
- Protected by a 1-year warranty if non-LED lamping option is chosen



## LAMPING

Available with or without lamp. No lamp rated for E26 medium base socket 75w max. LED version includes (1) 9 watt 324 delivered lumens 90CRI 3000K LED A19. Dimmable with most LED compatible ELV and TRIAC dimmers. 120v. Includes 8' of field-cuttable cable.



## ORDERING INFORMATION

700	SYSTEM	ALE	FINISH	LAMP
	TD LINE-VOLTAGE PENDANTS/SUSPENSION		BG BLACK/GOLD FG FOSSIL GRAY W MATTE WHITE	NO LAMP -LED930 A19 LED 90 CRI 2700K 120V (T20/T24)

700 \_\_\_\_\_ ALE \_\_\_\_\_

JOB NAME \_\_\_\_\_

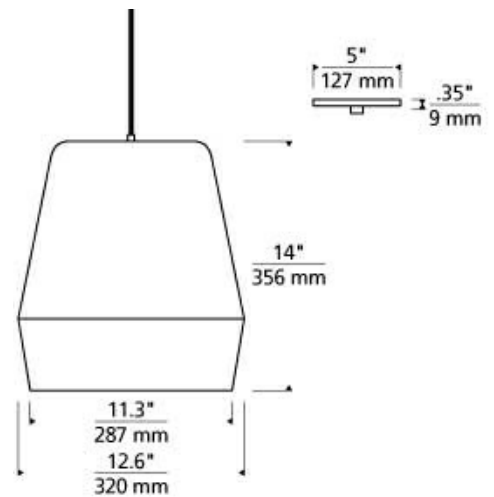
NOTES \_\_\_\_\_



# ALLEA PENDANT

## SPECIFICATIONS

HARDWARE MATERIAL	Metal
SHADE MATERIAL	Aluminum
NET WEIGHT	3.5 lbs
HEIGHT	14.6in
WIDTH	12.6in
LENGTH	12.6in
UP LIGHT / DOWN LIGHT / BOTH?	
WET LISTED	
DAMP LISTED	Yes
DRY LISTED	
MIN. HANGING HEIGHT	20.5in
MAX HANGING HEIGHT	110.5in
TOTAL CORD LENGTH	96in
TOTAL STEM LENGTH	
STEM QTY	
SLOPED CEILING ADAPTABLE?	Yes 45° Max
GENERAL LISTING	ETL Listed
INCLUDES	



## LAMPING SPECIFICATIONS

	LED LAMP	INTEGRATED LED	NON LED	NO LAMP
DELIVERED LUMENS	400			
WATTS	10			
MAX WATTAGE PER BULB	75W			75W
INPUT VOLTAGE	120V			120V
DIMMING TYPE*	ELV, TRIAC			ELV, TRIAC
CCT	3000K			
CRI	90 CRI			
LED LIFETIME				
L70	>25000			
AVERAGE BULB HOURS				
FIELD SERVICEABLE LED				
LAMP BASE	E26 Medium Base			E26 Medium Base
LAMP SHAPE	A19			A19
LAMP INCLUDED?	Y			N
WARRANTY**	1 Year			1 Year

\* Dimming information available at [www.techlighting.com/Downloads#dimming](http://www.techlighting.com/Downloads#dimming)

\*\* Visit [techlighting.com](http://techlighting.com) for specific warranty limitations and details.

## T20 / T24 INFORMATION

	Integrated LED	Replacement LED Lamp	No Lamp *
This product can be used to comply with California Building Energy Efficiency Standards 2016 <b>Title 24</b> Part 6.		Yes	N/A
This product can be used to comply with California Appliance Efficiency Standards 2016 <b>Title 20</b> and may be shipped to and sold in California.		Yes	N/A

\* If a light fixture or component does not include a lamp or light source, it is the responsibility of the customer to select a lamp that meets the T24 and T20 requirements.

