

Allea Pendant

700TDALE_ 1.1

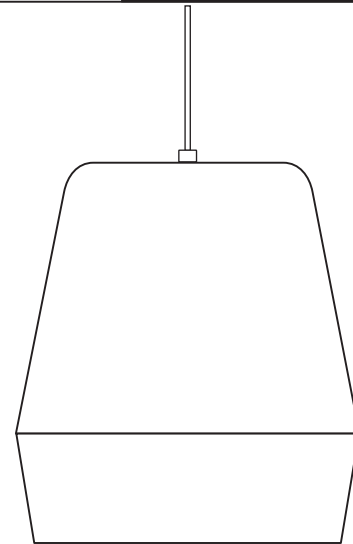


GENERAL PRODUCT INFORMATION:

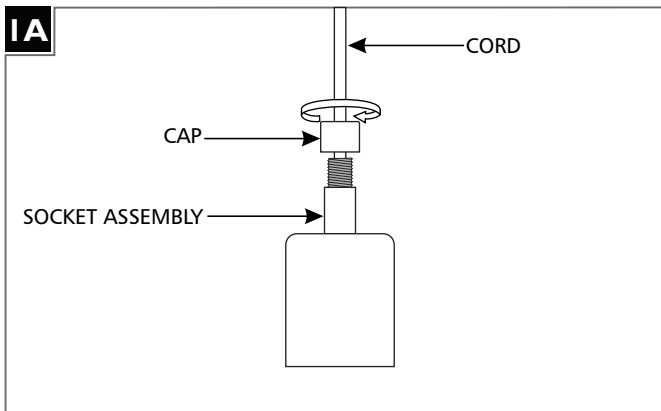


This product is suitable for damp locations.

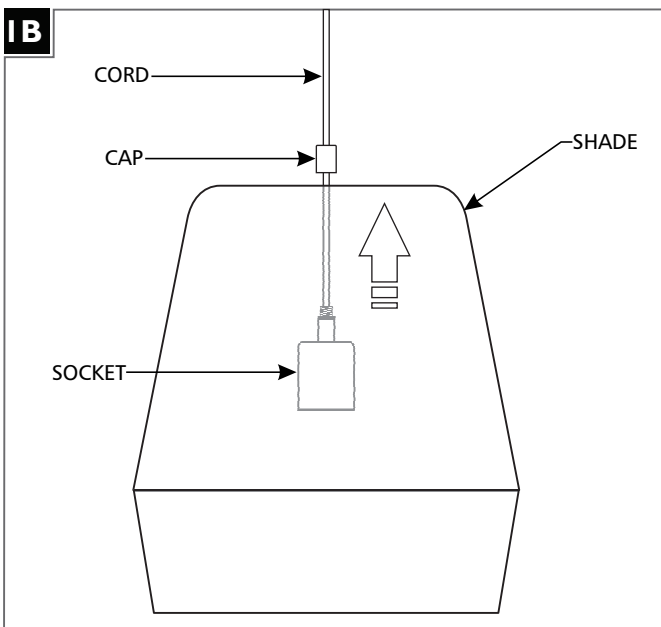
Incandescent version may be dimmed with a standard incandescent dimmer. LED version may be dimmed with a LED dimmer. Consult lamp manufacturer for additional information.



Assemble the Pendant

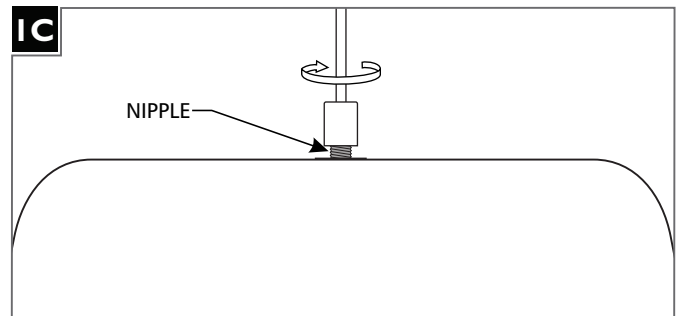


1 Unscrew fixture cap and remove the cap from the socket assembly and cord.



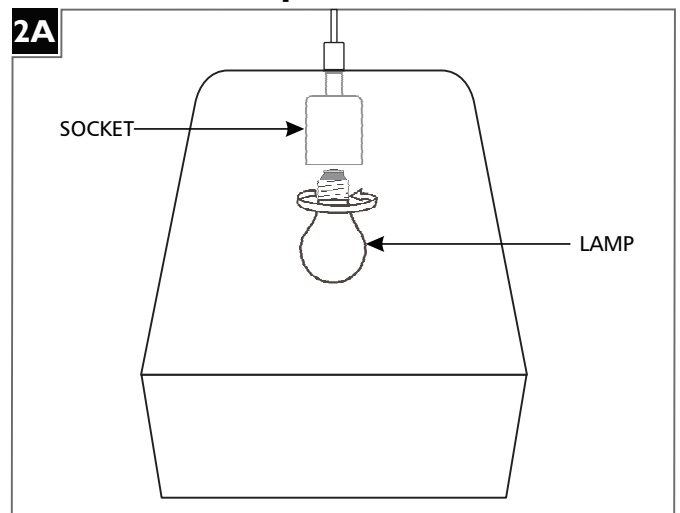
2 Feed fixture cord through the shade.

3 Reinstall the cap onto the cord.



4 Insert the socket assembly nipple through the top of the shade and secure it in place with the cap.

Install the Lamp



CAUTION: To reduce the risk of a burn or electric shock during re-lamping, disconnect the power to the fixture.

Refer to fixture marking for lamp information.

1 Screw the lamp into the socket.



7400 Linder Ave., Skokie, IL 60077

T 847.410.4400 | F 847.410.4500

www.techlighting.com