

Ace Head

700FJACE_ 1.0



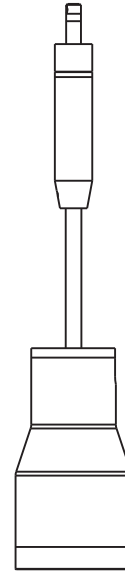
HEADS-LOW VOLTAGE

GENERAL PRODUCT INFORMATION:



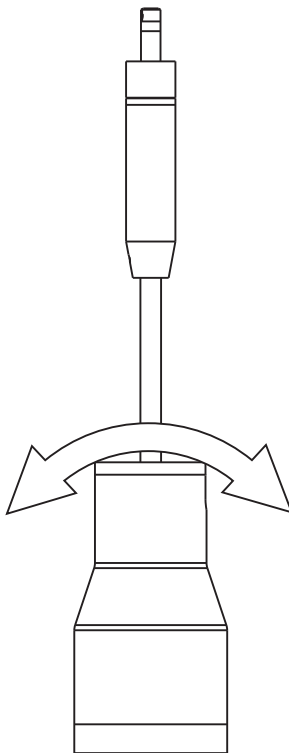
This product is ETL listed and suitable only for indoor dry locations and approved for use at any height above the finished floor.

CAUTION: To reduce the risk of a burn or electric shock during accessory installation, disconnect the power to the fixture.



Adjust the Fixture

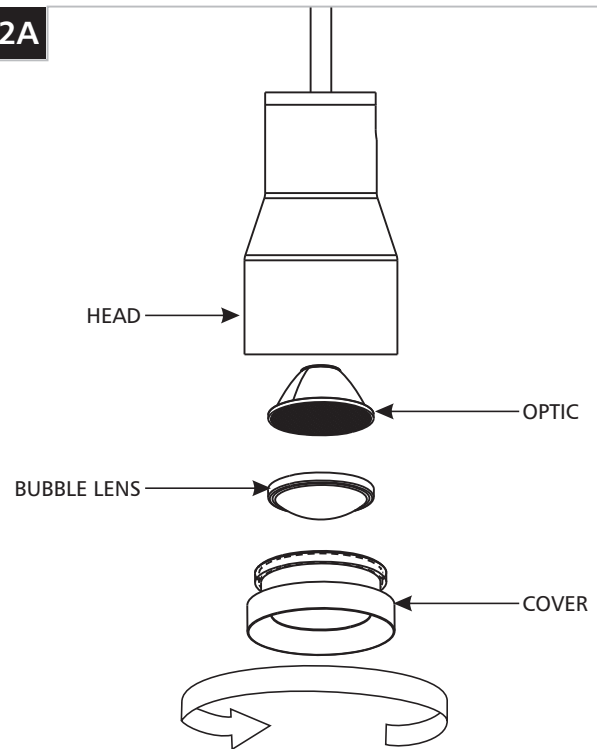
1A



1 Tilt the fixture head to the desired position.

Lenses and Optics (Optional)

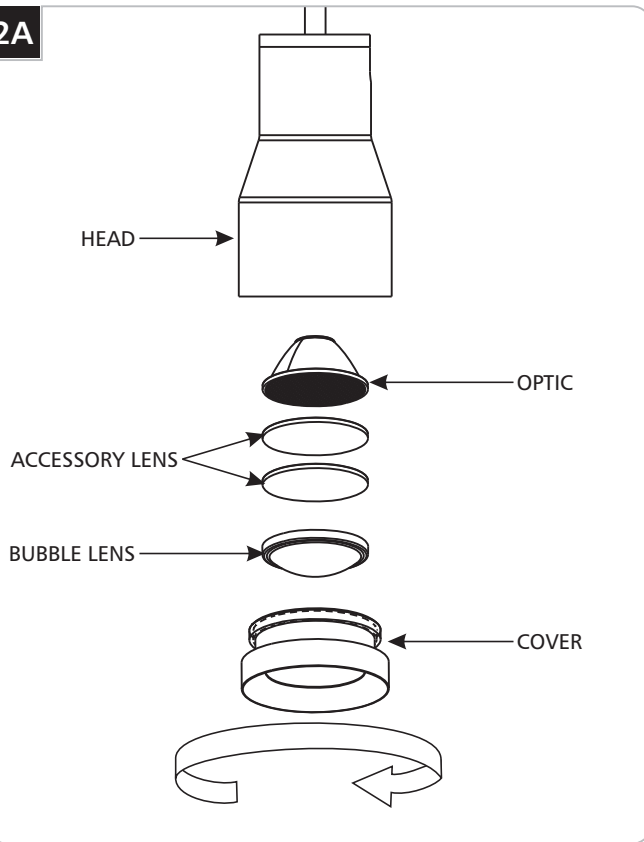
2A



NOTE: While installing or replacing lens and/or optics, it is recommended to do so with the fixture head facing downward to hold items in place within the cover during installation.

1 If installing or replacing lens accessory or replacing the optic, remove the cover by unscrewing it from the fixture.

2A



- 2 Remove the optic.
- 3 If installing an optional lens accessory, rest the accessory lens inside the cover. **NOTE: A maximum of two accessory lenses can be installed. A third accessory lens may be installed by removing the bubble lens.**
- 4 Install the optic (replacement or existing) inside the LED housing cover.
- 5 Reinstall the cover (reversal of step 2A).

SAVE THESE INSTRUCTIONS!



TECH LIGHTING®

7400 Linder Ave, Skokie, IL 60077

847.410.4400

www.techlighting.com

© 2018 Tech Lighting, L.L.C. All rights reserved. The "Tech Lighting" graphic is a registered trademark of Tech Lighting, L.L.C. Tech Lighting reserves the right to change specifications for product improvements without notification.

A Generation Brands Company