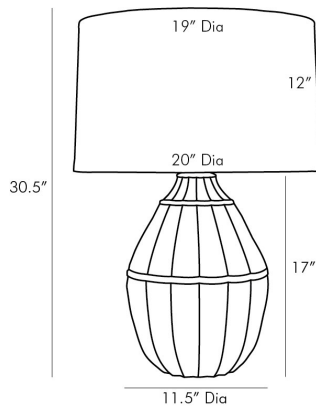


# ARTERIORES

## TANGIER LAMP

BETH WEBB



DW11003-578

H: 30.5 IN, Dia: 20.00 IN

Matte Black

Contract Suitable As Is

The Tangier Lamp with its gourd shape was inspired by an Ethiopian string jar. Beth was drawn to its pleasing wabi-sabi form both organic and architectural in feel and structure. Particular attention was paid to achieve its unique subtle finish inspired by Japanese ceramic traditions while its black matte glaze cuts a vigorous form in any room.

### APPEARANCE

Material	Ceramic, Linen
Finish	Egg Shell, Matte Black, Off-White
Finish Will Vary	true
Top Coat/Sealant	false
Finial Description	Decorative metal to match - packed with

### DIMENSIONS

Shade	Top: 19.00 IN, Dia: 20.00 IN, Side: 12 IN
Body	H: 17.5 IN, H: 17 IN, Dia: 11.50 IN
Foot Print	Dia: 6.00 IN

### WIRING

Rating	Indoor Only
Cord	10 FT IN, Black, SPT-2
Socket	2, Black, Type A - E26
Switch	At Socket, On/Off Pull Chain
Maximum Watt	60
Voltage	110-120 V

### CERTIFICATIONS

Cerifications	Mexico Australia, United Arab Emirates, United Kingdom, United States, Canada
---------------	--

### COMPLIANCY

UL/ETL	Yes
CB	Yes
RoHS	false

### SHIPPING

Product Weight	10 LBS
Gross Weight 1	12 LBS
Gross Weight 2	3 LBS
Shipping Box 1	H: 15.5 IN, L: 26 IN, W: 26 IN
Shipping Box 2	H: 14 IN, L: 21 IN, W: 21 IN

### ADDITIONAL INFO

Shade Shape	Round
Shade Trim	Rolled Edges
Shade Type	Hardback