

## Installation Guide

# LINEAR TRIPLE PENDANT

---

Thoughtful lighting, responsibly designed in London.

Thank you for making the switch to Tala.  
Discover the full Tala family at [us.tala.co.uk](http://us.tala.co.uk)

---

### BEFORE STARTING

We recommend the installation of this light fitting is performed by a qualified electrician. Please read the instructions before commencing work, and keep them for future reference. Take extreme care when carrying out these instructions.

### IMPORTANT

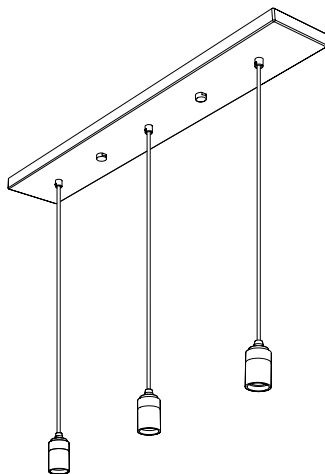
This light fitting must be connected to the supply earth. If your lighting circuit does not have an earth, ask a qualified electrician to provide an earth facility. This light fitting is suitable for indoor use only. This fitting operates on 120V mains voltage. Please visit our website to see our recommended dimmers.

### WARNING

Always switch off electricity supply at the mains during installation and maintenance. We recommend that the fuse is withdrawn or the circuit breaker is switched off whilst work is in progress. Do not just turn off at the wall switch. All fittings must be installed in accordance with current NFPA 70, National Electrical Code (NEC).

### RECOMMENDED EQUIPMENT

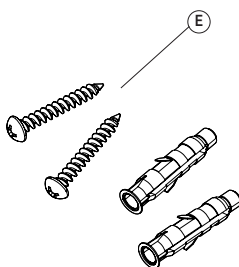
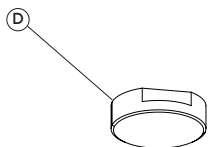
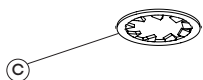
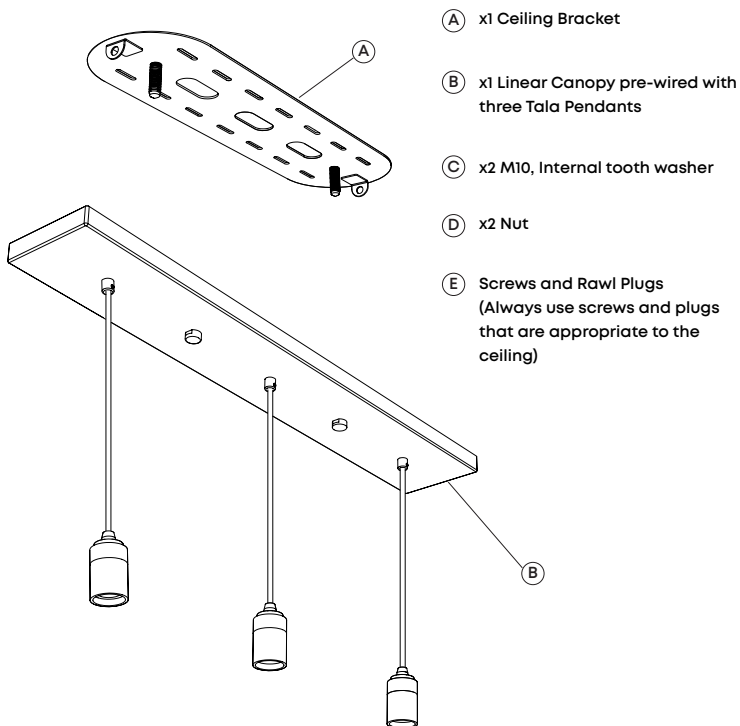
- Small flat head screwdriver
  - Wire strippers
  - Insulation tape
  - 17mm wrench or adjustable wrench
- Further equipment may be required for fixing to your ceiling.
- 



Scan me for more  
technical help

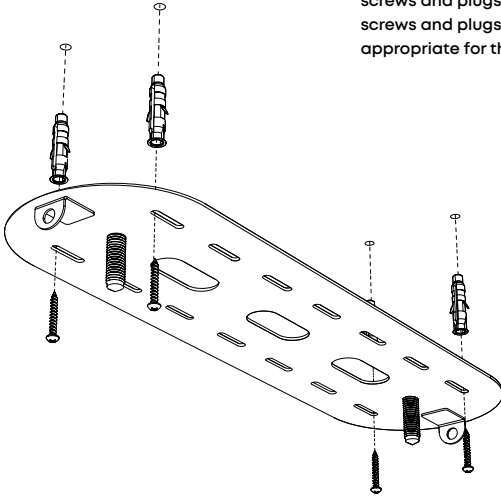


# Linear Triple Pendants - Provided Components



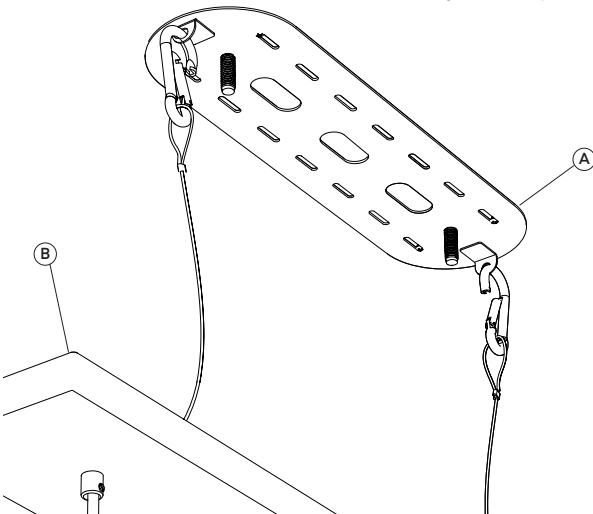
## STEP 1

Attach (A) to the ceiling using screws and plugs. Always choose screws and plugs that are appropriate for the ceiling.



## STEP 2

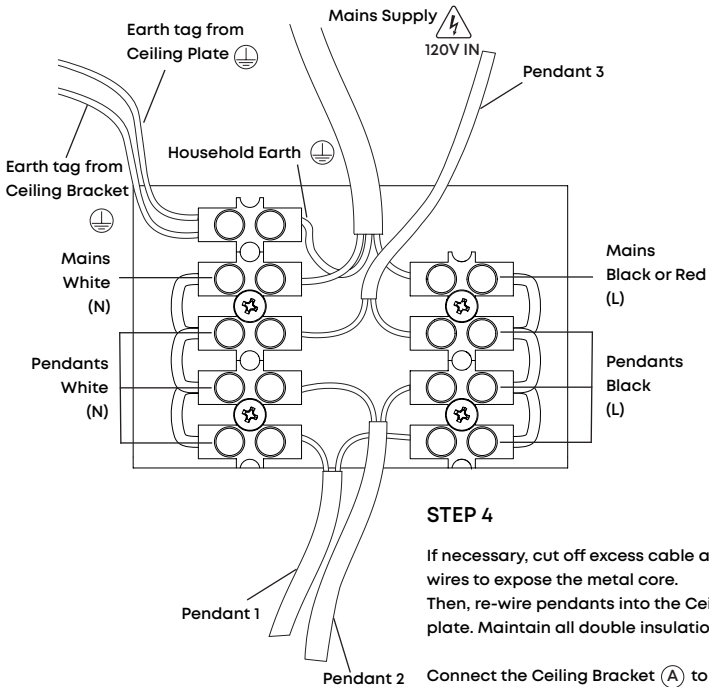
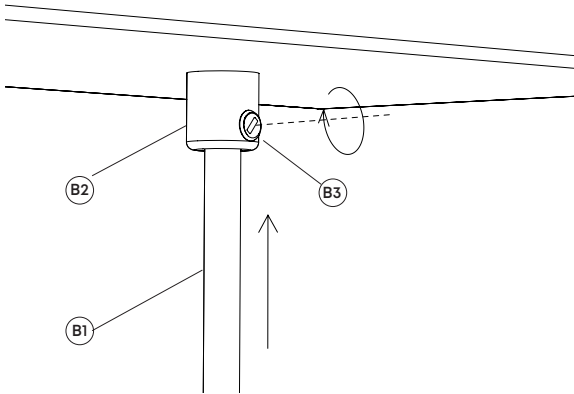
Using the carabiner clips, attach (B) to (A) and allow the canopy to hang on the suspension cables.



### STEP 3

Pull pendant cables (B1) through cord grips (B2) to your desired length. Using a flat head screwdriver, tighten set screws (B3) to secure them.

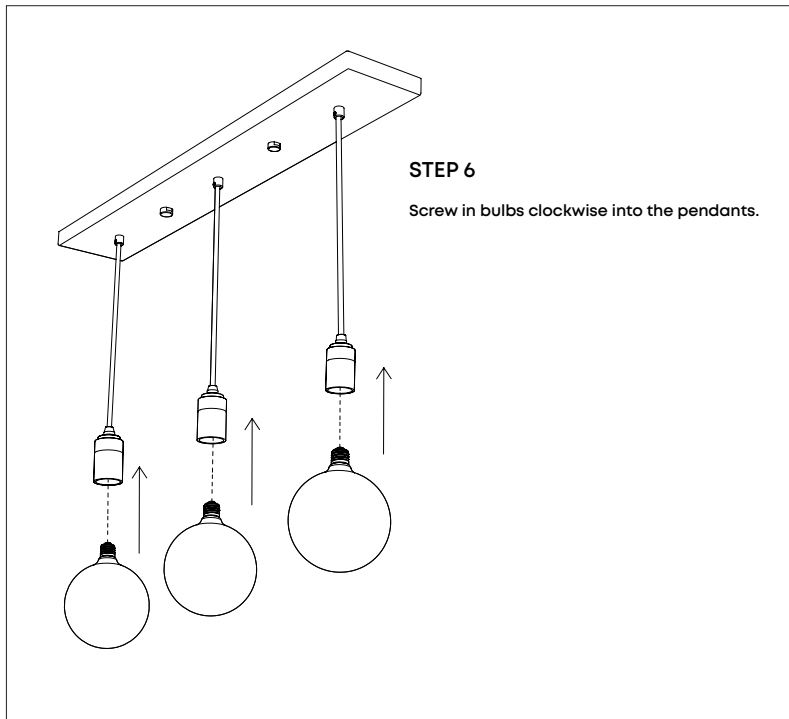
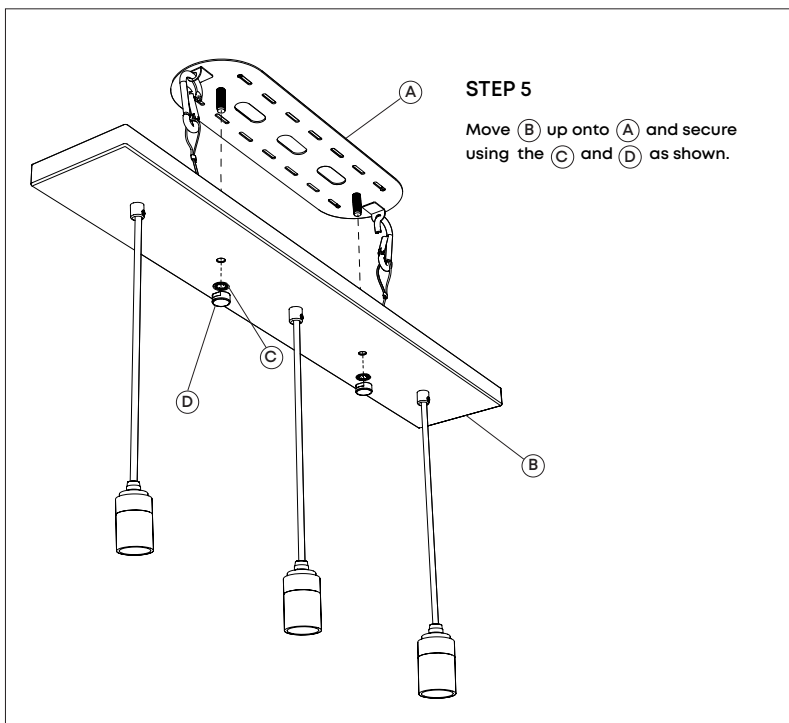
Tidy the excess cable into the Linear Canopy.



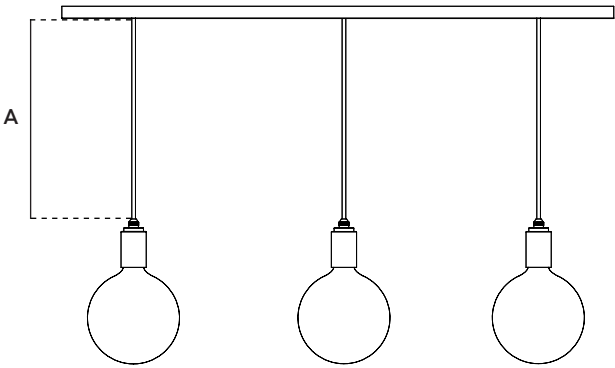
### STEP 4

If necessary, cut off excess cable and strip wires to expose the metal core. Then, re-wire pendants into the Ceiling plate. Maintain all double insulation.

Connect the Ceiling Bracket (A) to the Mains Electricity as shown



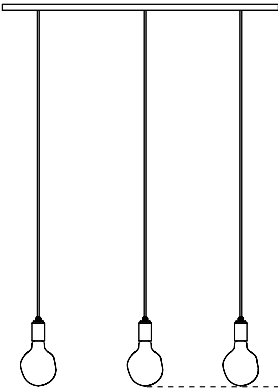
# PENDANT DISPLAY GUIDE



## MINIMUM CORD LENGTH (A)

For all bulbs shortest recommended cord length is 14 in

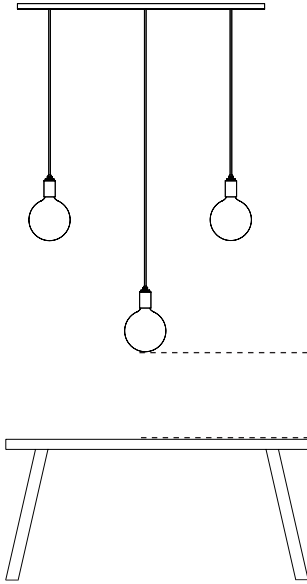
# PENDANTS - RECOMMENDED CABLE LENGTHS



## SCENARIO 1

Above a kitchen island or bar, or where height is required for standing tasks

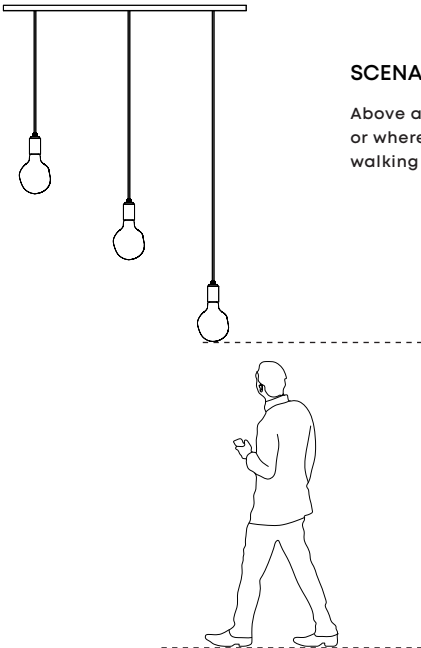
Minimum Distance  
32 in



## SCENARIO 2

Above a coffee or dining table,  
or where height is required for  
seated tasks

Minimum Distance  
28 in



## SCENARIO 3

Above a stairwell or walkway,  
or where height is required for  
walking underneath

Minimum Distance  
7 Ft

---

## CARE AND CLEANING

We recommend cleaning with a soft dry cloth. Do not use abrasive materials as these will damage the finish of the product. Do not use alcohol or other solvents.

## WARRANTY AND AFTER-CARE

This product has a two-year warranty. Within this time we will replace any parts that have functional defects.

Please report any faults by emailing:

[customerservice@tala.co.uk](mailto:customerservice@tala.co.uk)

---

## Join the Community

[hello@tala.co.uk](mailto:hello@tala.co.uk) | Instagram: @tala | Facebook: talaHQ | Pinterest: TalaLED | Tag: lighttoliveby  
Tala North America, Inc., 2 Research Place, Suite 300, Rockville, MD 20850, United States of America