

## Installation Guide

# NINE PENDANT

Thoughtful lighting, responsibly designed in London.

Thank you for making the switch to Tala.  
Discover the full Tala family at [us.tala.co.uk](http://us.tala.co.uk)

### BEFORE STARTING

We recommend the installation of our canopy and pendants is performed by a qualified electrician. Please read the instructions thoroughly before commencing work and keep them for future reference. Please take extreme care when carrying out these instructions.

### IMPORTANT

This light fitting must be connected to the earth supply. If your lighting circuit does not have an earth, ask a qualified electrician to provide an earth facility. This light fitting is suitable for indoor use only. This fitting operates on 120V mains voltage. For a list of recommended dimmers to pair with this light fitting, please visit our website.

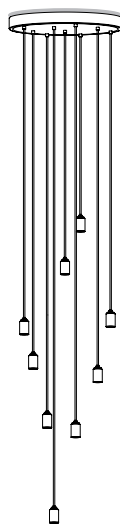
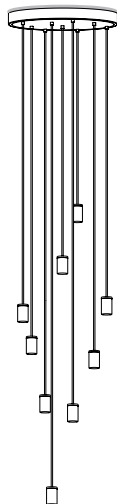
### WARNING

You must switch off electricity supply at the mains during installation and maintenance. We strongly recommend that you withdraw the fuse or switch off the circuit breaker whilst work is in progress. Do not only turn off the wall switch. All fittings must be installed in accordance with current NFPA 70, National Electrical Code (NEC).

### RECOMMENDED EQUIPMENT

- Small flat head screwdriver
- Wire strippers
- Insulation tape

Further equipment may be required for fixing to your ceiling



Scan me for more technical help

SKU - CP-WHT-LRG-OP-01-US

SKU - CP-WHT-LRG-WP-01-US

SKU - CP-WHT-LRG-BP-01-US

SKU - CP-BLK-LRG-GP-01-US

FOR INDOOR USE ONLY



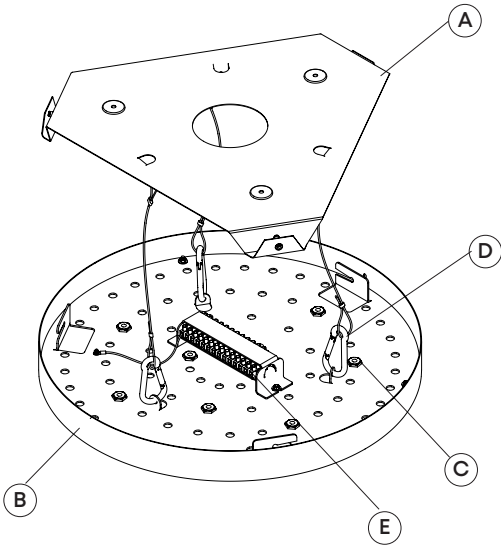
IP20

110-120V



Intertek  
5018709

# Nine Pendant - Provided Components



(A) x1 Ceiling bracket

(B) x1 Ceiling plate

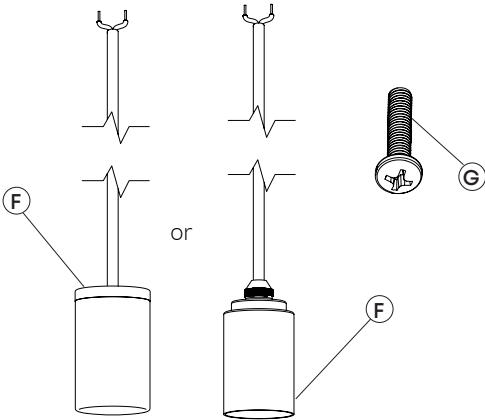
(C) x9 Cord grips

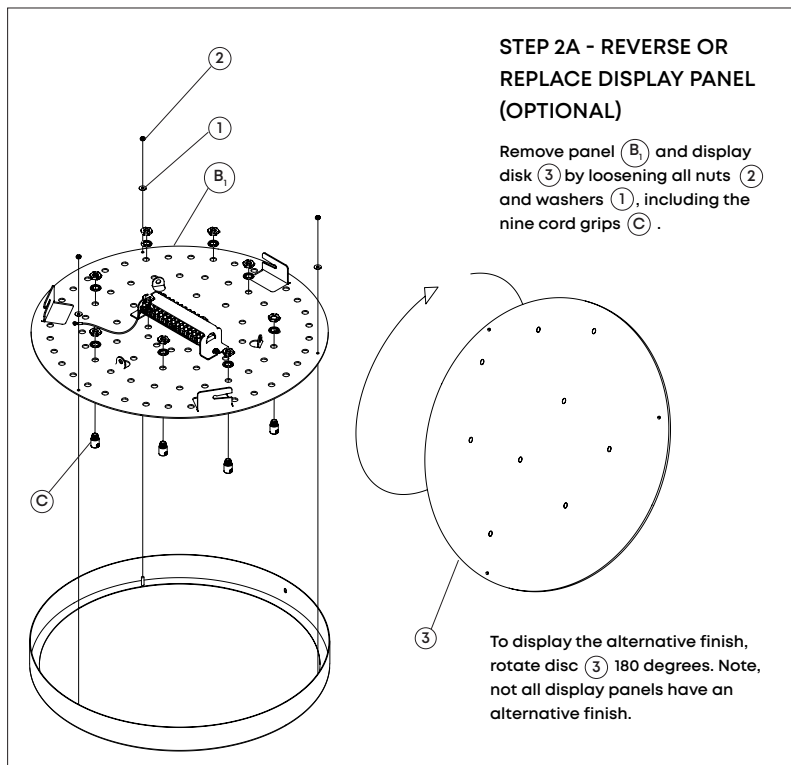
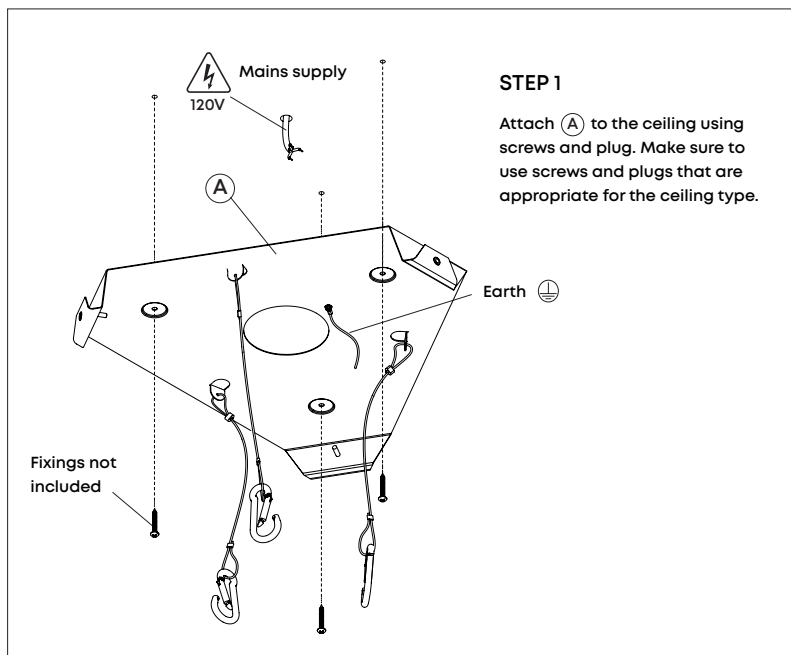
(D) x3 Safety tethers and clips

(E) x1 Junction box

(F) x9 Tala Pendants  
*Oak, Walnut,  
Brass or Graphite*

(G) x1 M4 20MM bolt



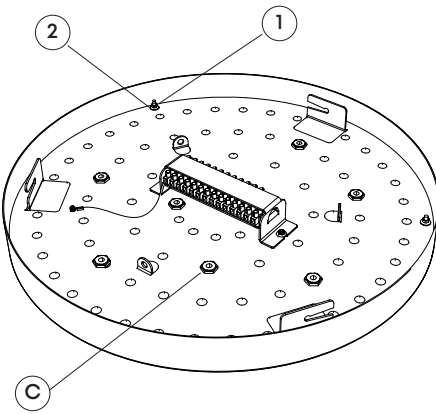


## STEP 2B

Re-assemble the plate in the same order and fasten it securely with nuts ① and washers ②.

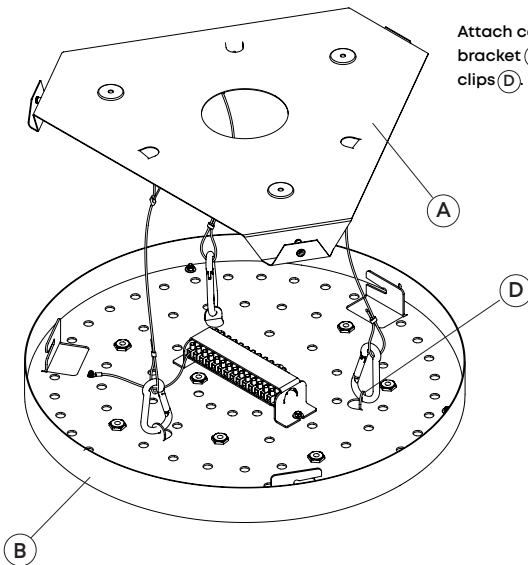
Replace the Cord grips ③ and secure with the nuts and washers.

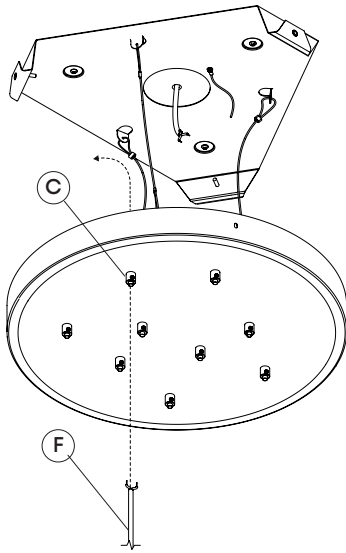
Tighten all firmly with a spanner/ wrench.



## STEP 3

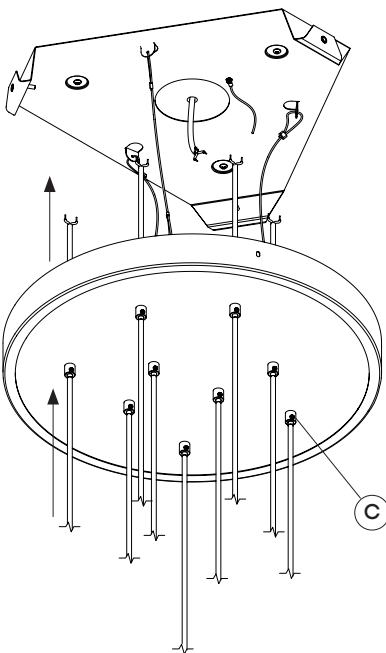
Attach ceiling plate ④ to ceiling bracket ⑤ using safety tether clips ⑥.





#### STEP 4

Thread all nine pendant cables (F) through ceiling plate cord grips (C).



#### STEP 5

Pull cables through to your desired length. See end of this guide for our recommended lengths and distance between bulbs.

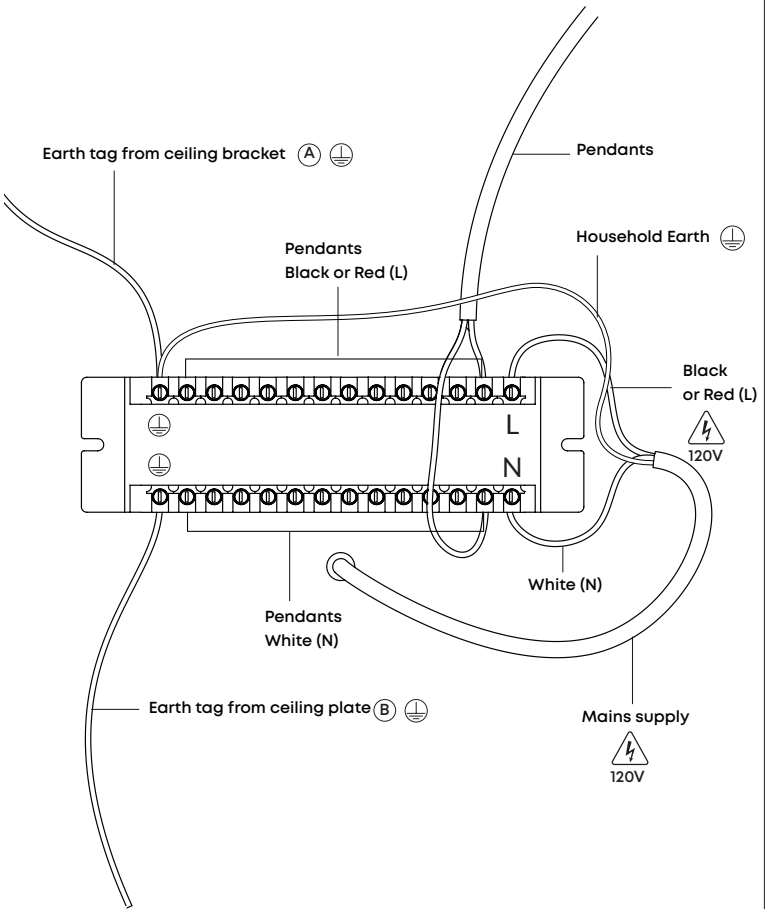
Using a flat head screwdriver, tighten set screws (C) to secure them.

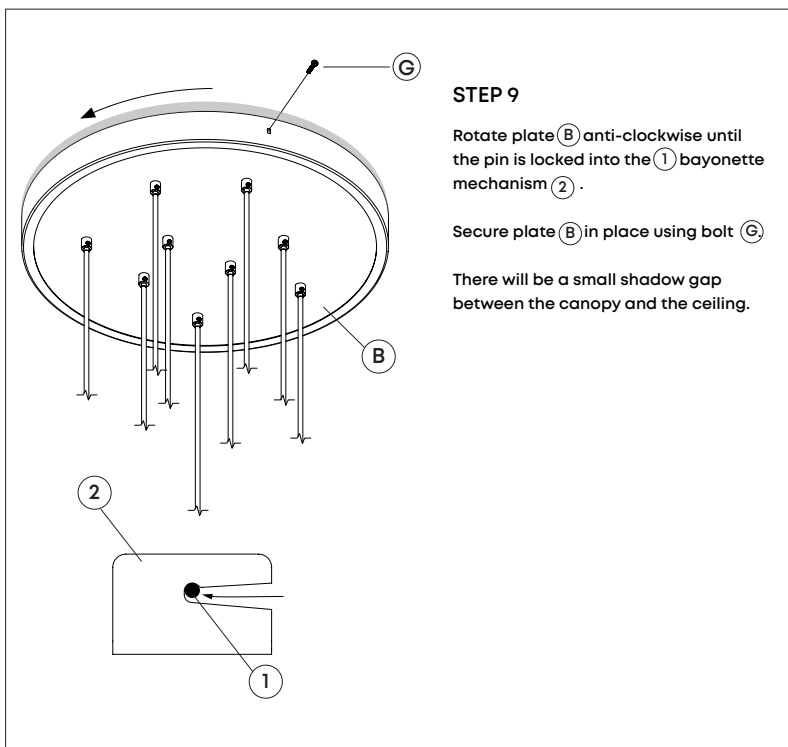
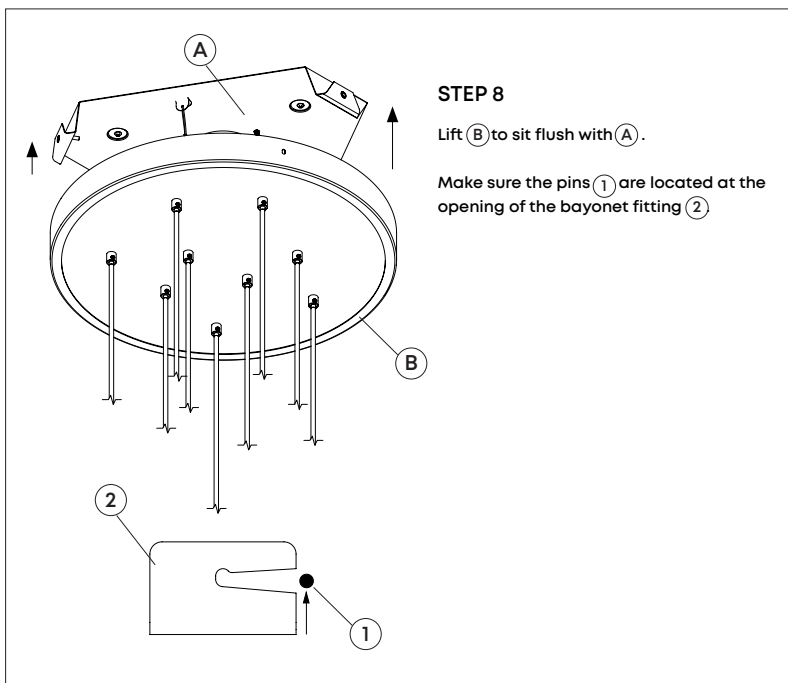
#### STEP 6

Cut off excess cable and strip wires to expose the copper core. Maintain all double insulation.

## STEP 7

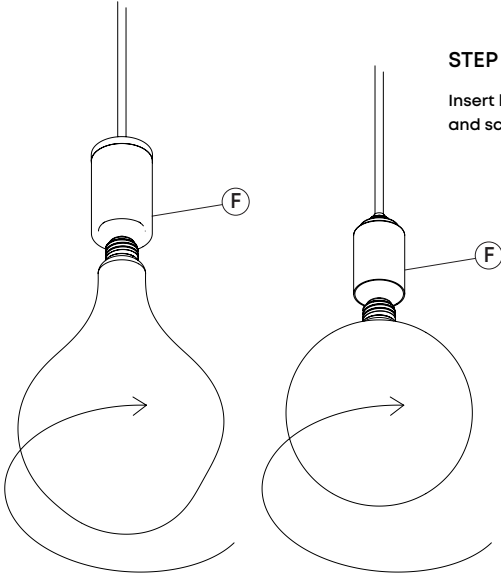
Connect the pendants, plate and mains wiring as shown.





## STEP 10

Insert bulbs into pendants (F) and screw clockwise



## PENDANTS DISPLAY GUIDE

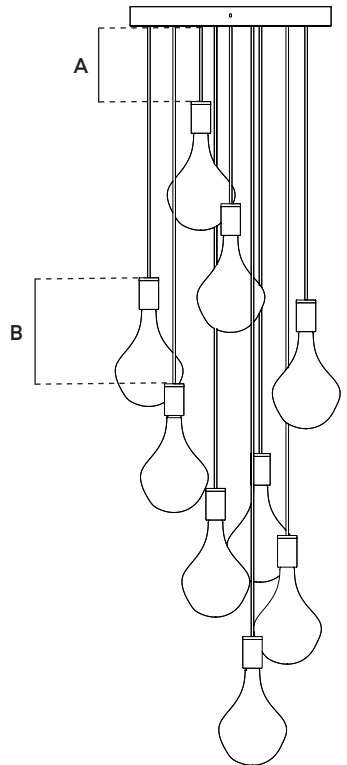
### MINIMUM CORD LENGTH (A)

For all bulbs shortest recommended cord length is 14 in

### DISTANCE BETWEEN PENDANTS (B)

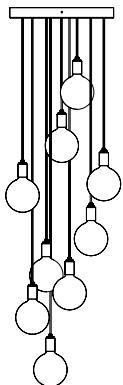
Recommended minimum distance between pendant, dependant on bulb style, are as follows:

- Voronoi I - 6 in
- Voronoi II - 8 in
- Voronoi III - 1<sup>4</sup> in
- Sphere IV - 6 in
- All other bulbs - 4 in



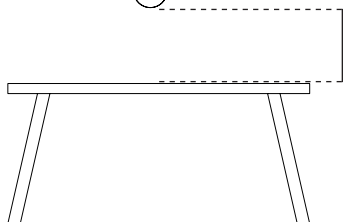


## PENDANTS - RECOMMENDED CABLE LENGTHS



### SCENARIO 1

Above a coffee or dining table,  
or where height is required for  
seated tasks

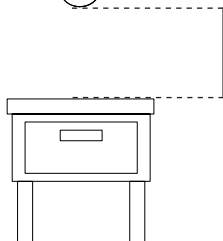


Minimum Distance  
28 in

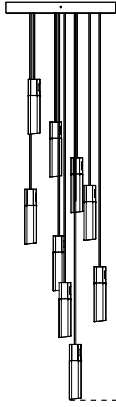


### SCENARIO 2

Above side tables, or where  
height is required for storage



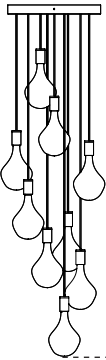
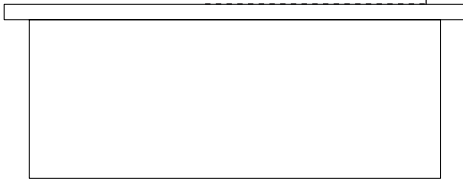
Minimum Distance  
19 in



### SCENARIO 3

Above a kitchen island or bar,  
or where height is required for  
standing tasks

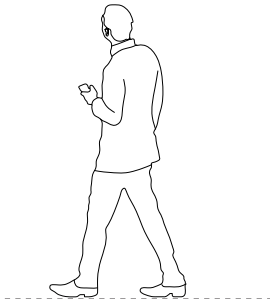
Minimum Distance  
32 in



### SCENARIO 4

Above a stairwell or walkway,  
or where height is required for  
walking underneath

Minimum Distance  
7 Ft



---

## WARRANTY AND AFTER-CARE

This product has a two-year warranty. If there appears to be a functional defect with the product during this time, please contact our team at [customerservice@tala.co.uk](mailto:customerservice@tala.co.uk).

Please note, the flexible cable attached to this luminaire cannot be replaced; if the cable is damaged, recycle the luminaire and seek a replacement.

---

### Join the Community

Instagram: [@tala](#) | Facebook: [talaHQ](#) | Pinterest: [TalaLED](#) | Tag: [lighttoliveby](#)

Tala Energy Ltd. 25B Vyner Street, London, E2 9DG | [hello@tala.co.uk](mailto:hello@tala.co.uk)

Tala North America, Inc. 2 Research Place, Suite 300, Rockville, MD 20850

