

Installation Guide

BASALT TRIPLE PENDANT

Thoughtful lighting, responsibly designed in London.

Thank you for making the switch to Tala.
Discover the full Tala family at us.tala.co.uk

BEFORE STARTING

We advise the fitting of our canopy and pendants to be performed by a qualified electrician. Please read through these instructions before commencing work, and keep them for future reference. Please take extreme care when carrying out these instructions.

IMPORTANT

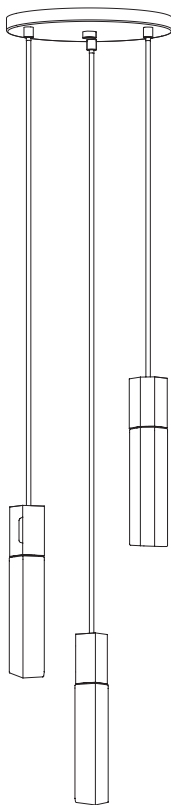
This light fitting must be connected to the supply earth. If your lighting circuit does not have an earth, ask a qualified electrician to provide an earth facility. This light fitting is suitable for indoor use only. This fitting operates on 120V mains voltage. Please visit our website to see our recommended dimmers.

WARNING

Always switch off electricity supply at the mains during installation and maintenance. We recommend that the fuse is withdrawn or the circuit breaker is switched off whilst work is in progress. Do not just turn off at the wall switch. All fittings must be installed in accordance with current NFPA 70, National Electrical Code (NEC).

RECOMMENDED EQUIPMENT

- Small flat head screwdriver
 - Wire strippers
 - Insulation tape
 - M10 (17mm) (5/8IN) wrench or adjustable wrench
- Further equipment may be required for fixing to your ceiling.



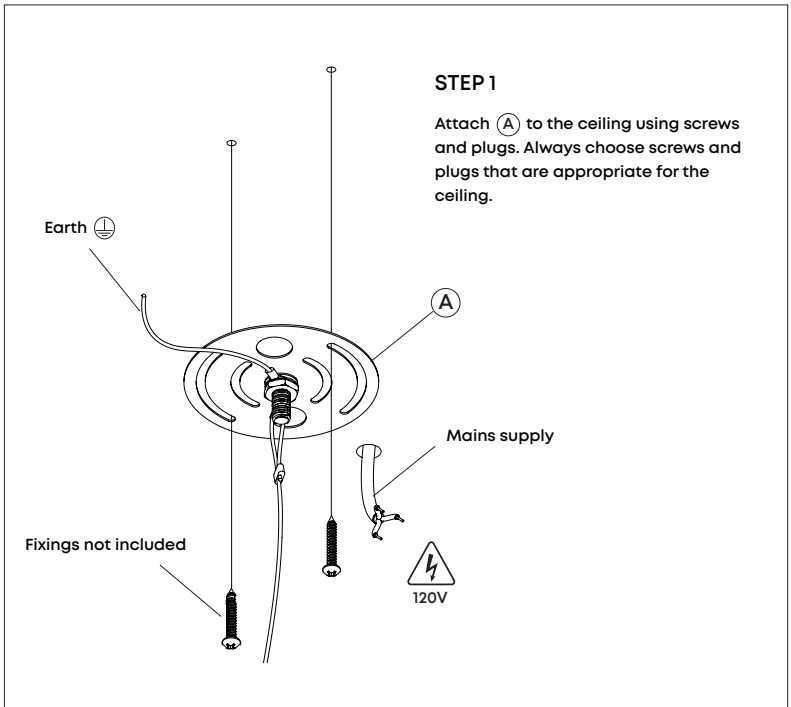
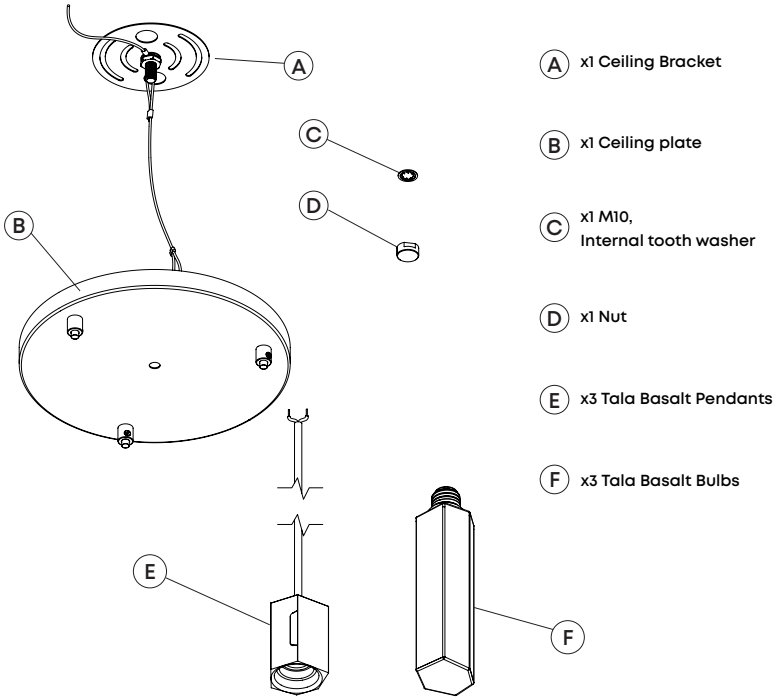
FOR INDOOR USE ONLY

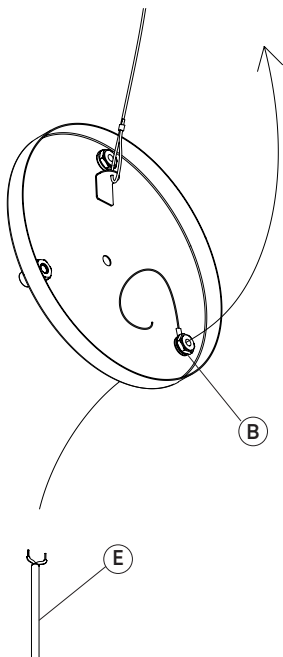
SKU - BSALT-I-SET-TRI-PD-01-US

SKU - BSALT-I-SET-TRI-PD-02-US



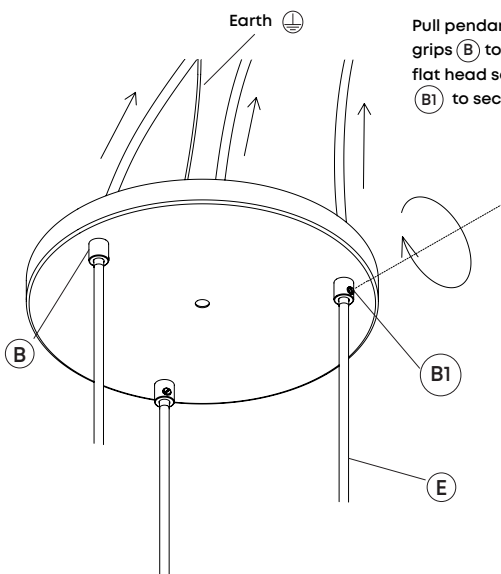
Basalt Triple - Provided Components





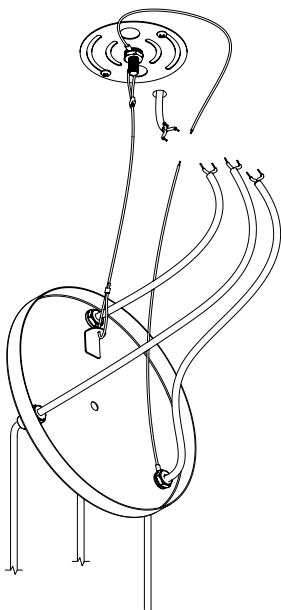
STEP 2

Thread all three pendant cables (E) through ceiling plate cord grips (B).



STEP 3

Pull pendant cables (E) through cord grips (B) to your desired length. Using a flat head screwdriver, tighten set screws (B1) to secure them in place.

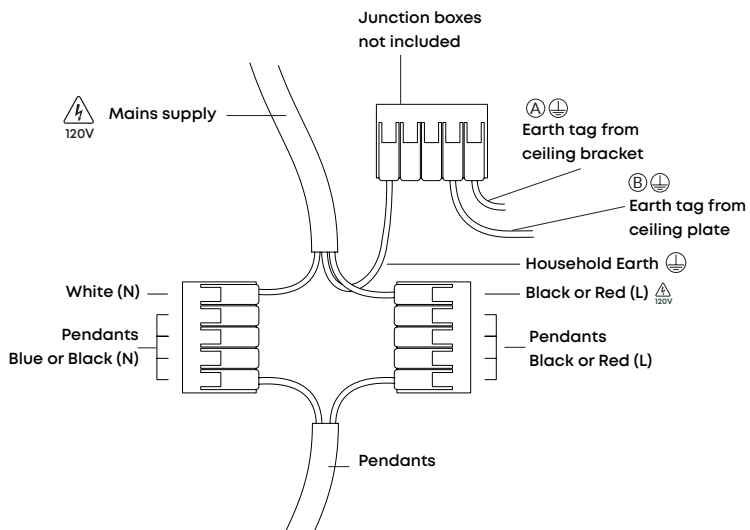


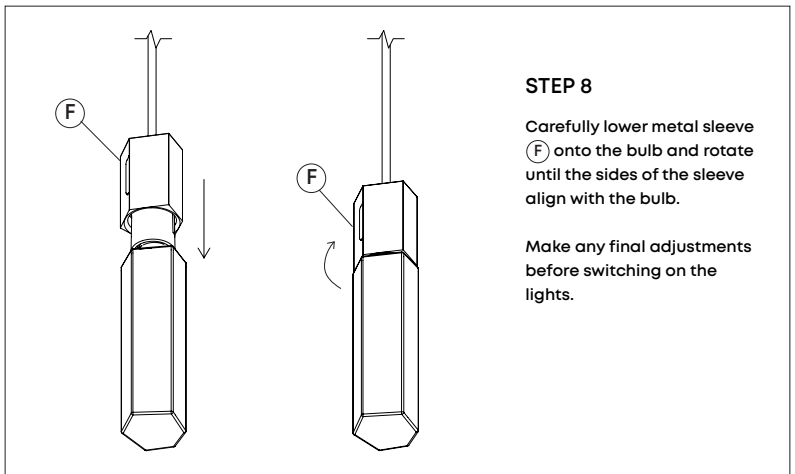
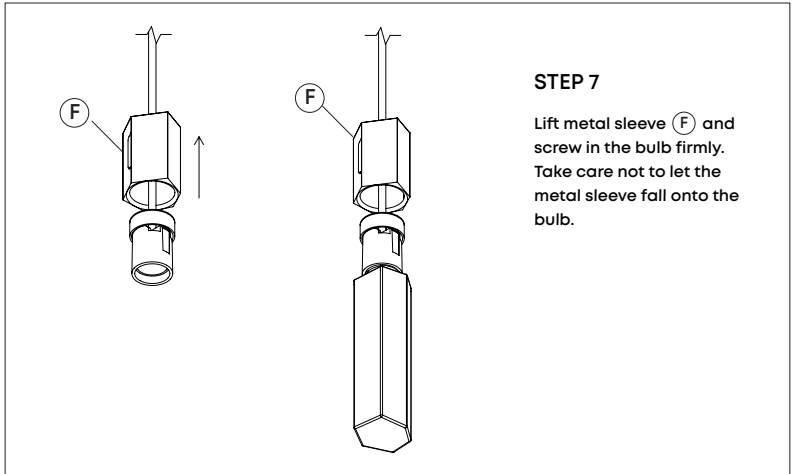
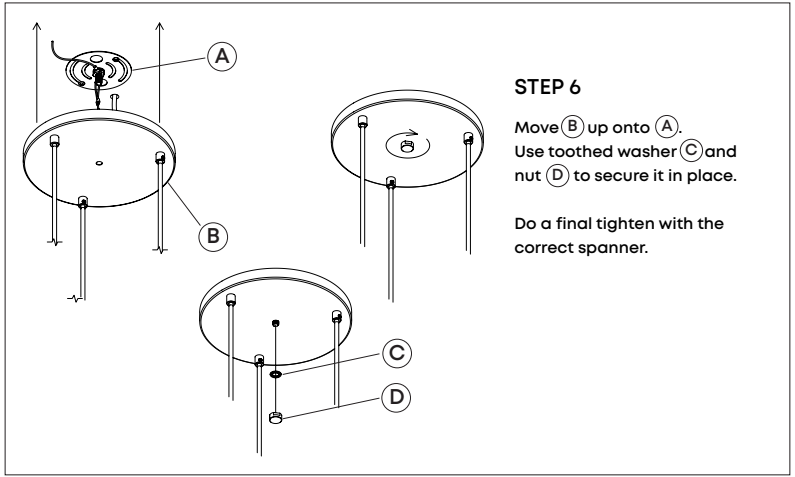
STEP 4

Cut off excess cable and strip wires to expose the copper core. Maintain all double insulation.

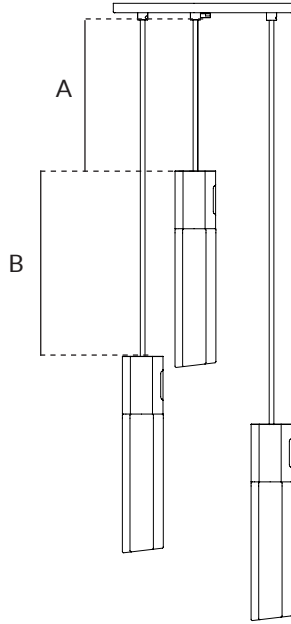
STEP 5

Connect the pendants, plate and mains wiring as shown.





PENDANT DISPLAY GUIDE



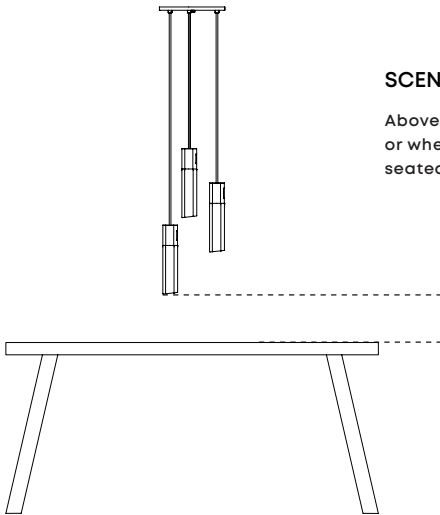
MINIMUM CORD LENGTH (A)

For all bulbs shortest recommended cord length is 14 in.

DISTANCE BETWEEN PENDANTS (B)

Recommended minimum distance between pendant is 4 in.

PENDANTS - RECOMMENDED CABLE LENGTHS



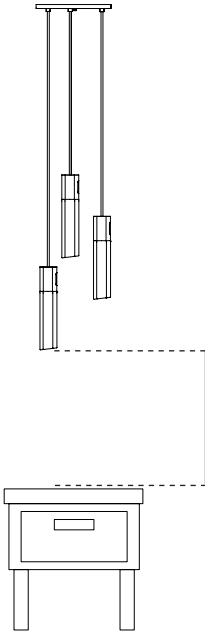
SCENARIO 1

Above a coffee or dining table, or where height is required for seated tasks

Minimum Distance
28in

SCENARIO 2

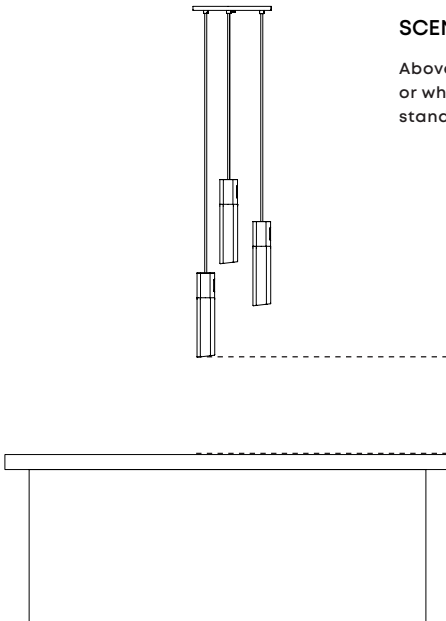
Above side tables, or where height is required for storage



Minimum Distance
19in

SCENARIO 3

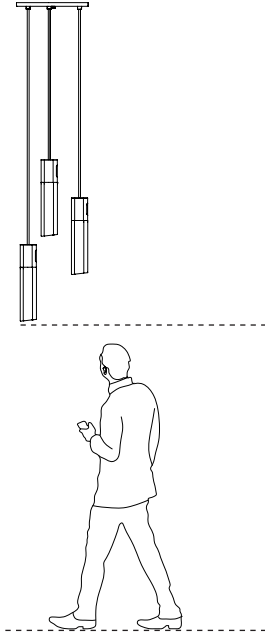
Above a kitchen island or bar, or where height is required for standing tasks



Minimum Distance
32in

SCENARIO 4

Above a stairwell or walkway,
or where height is required for
walking underneath.



Minimum Distance
7 Ft

WARRANTY AND AFTER-CARE

This product has a two-year warranty. If there appears to be a functional defect with the product during this time, please contact our team at customerservice@tala.co.uk.

Please note, the flexible cable attached to this luminaire cannot be replaced; if the cable is damaged, recycle the luminaire and seek a replacement.

Join the Community

Instagram: @tala | Facebook: talaHQ | Pinterest: TalaLED | Tag: lighttoliveby

Tala Energy Ltd. 25B Vyner Street, London, E2 9DG | hello@tala.co.uk

Tala North America, Inc. 2 Research Place, Suite 300, Rockville, MD 20850