

## INSTALLATION GUIDE

# ALUMINA TABLE LAMP

---

Thoughtful lighting, responsibly designed in London.

Thank you for making the switch to Tala.  
Discover the full Tala family at [us.tala.co.uk](http://us.tala.co.uk).

---

### BEFORE STARTING

Please read instructions thoroughly before installation and keep them for future reference. Please take extreme care when dealing with electrical equipment.

### IMPORTANT

Bulb must be installed in fixture before turning on.  
If hardwiring into an outlet box, we recommend using a 4 x 2 1/8in, thin junction box.

### WARNING

Incorrect assembly may result in risk of fire or electric shock.

### CARE AND CLEANING

We recommend cleaning with a soft dry cloth. Do not use abrasive materials as these will damage the finish of the product.

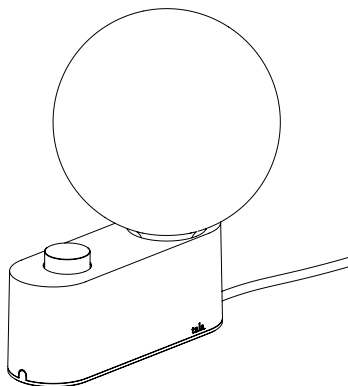
### AFTER-CARE

Please note, the flexible cable attached to this luminaire cannot be replaced; if the cable is damaged, recycle the luminaire and seek a replacement.

---

SKU - ALM-SPHR-IV-SAP-TBL-01-US  
SKU - ALM-SPHR-IV-SGE-TBL-01-US  
SKU - ALM-SPHR-IV-BLS-TBL-01-US  
SKU - ALM-SPHR-IV-CHK-TBL-01-US  
SKU - ALM-SPHR-IV-CHR-TBL-01-US

FOR INDOOR USE ONLY



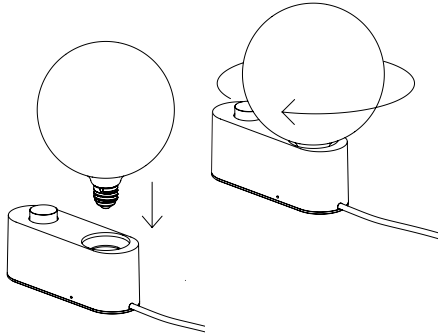
Scan me for more technical help



# Table Configuration

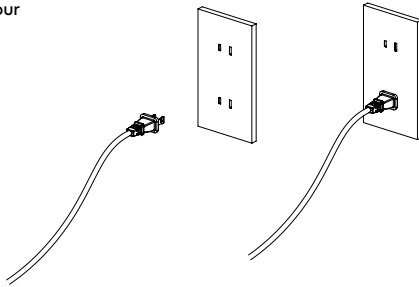
## STEP 1

Insert your bulb into the top of the lamp, rotating clockwise until tight. Take care not to tighten too much to avoid breakage.



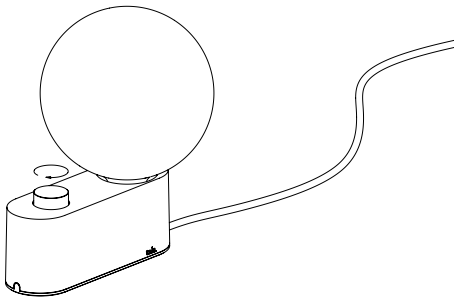
## STEP 2

Insert the lamp plug into your chosen wall socket.



## STEP 3

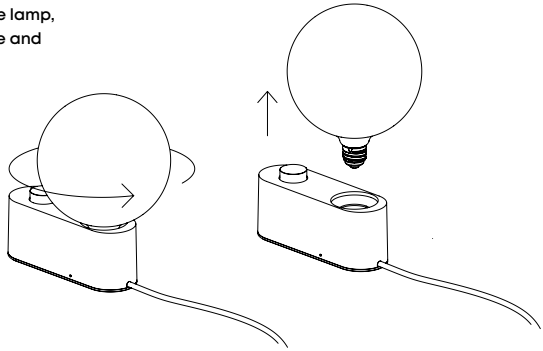
Rotate the dial on your dimmer until the bulb lights up. Adjust the dimmer for your desired light output.



# Wall Configuration

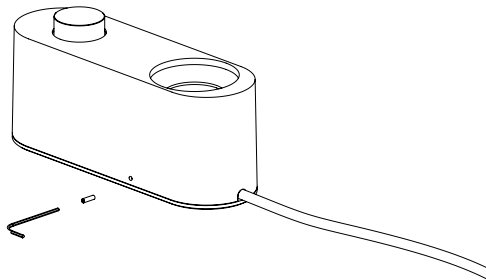
## STEP 1

Remove your bulb from the lamp, rotating counter clockwise and set aside.



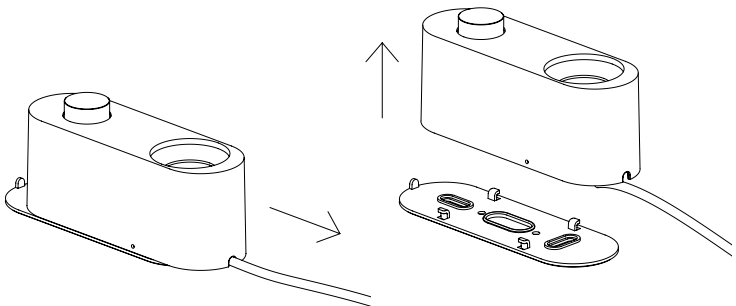
## STEP 2

Remove the small lock screw from the side of the lamp with the hex key provided



## STEP 3

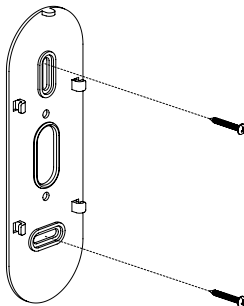
Slide the lamp towards the cable to disconnect it from the base. Lift the lamp and set it aside.



# Wall Configuration

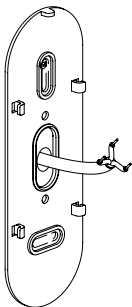
## STEP 4

Attach the base to your wall in the orientation shown below. Always choose screws and plugs that are appropriate for the wall.



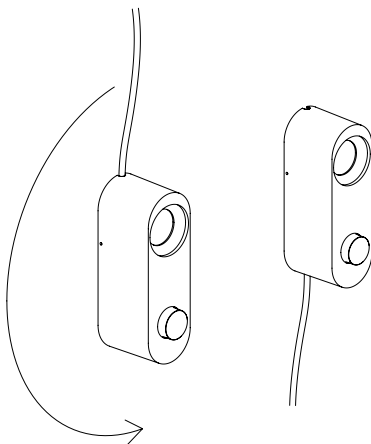
## STEP 5 (OPTIONAL)

Customers who wish to hard wire the product into the household mains. Please consult a qualified electrician to perform this modification. Junction boxes are not provided. If using an outlet box, we recommend using a 4 x 2 <sup>1</sup>/<sub>8</sub>in, thin outlet box.



## STEP 6

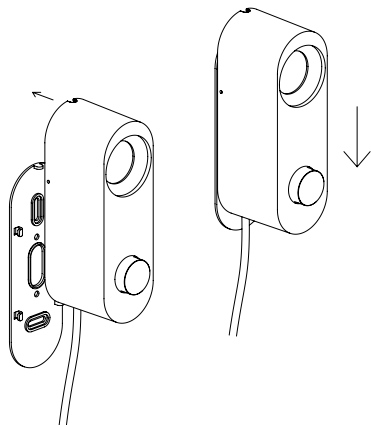
Move the cable from the top to the bottom opening.



# Wall Configuration

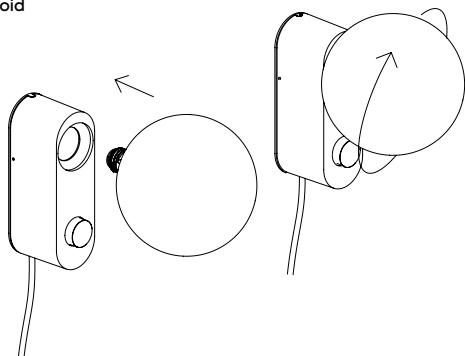
## STEP 7

Align the lamp above the base and slide down to lock in place .



## STEP 8

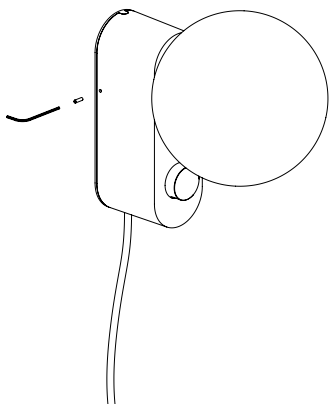
Insert your bulb into the front of the lamp, rotating clockwise until tight. Take care not to tighten too much to avoid breakage.



## STEP 9

Re-attach the lock screw using the hex tool provided.

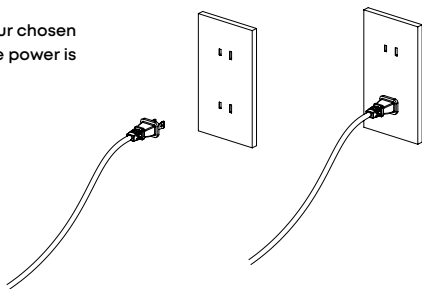
Tighten until flush with the outside surface of the lamp . Over-tightening may result in the screw becoming lost inside the lamp.



# Wall Configuration

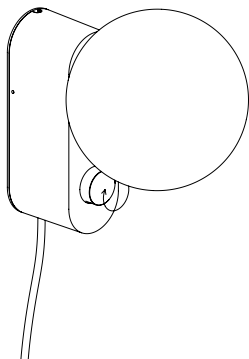
## STEP 10

Insert the lamp plug into your chosen wall socket, making sure the power is switched off..



## STEP 11

Switch the power on and rotate the dial on your dimmer until the bulb lights up. Adjust the dimmer for your desired light output.



## WARRANTY AND AFTER-CARE

This product has a two-year warranty. If there appears to be a functional defect with the product during this time, please contact our team at [customerservice@tala.co.uk](mailto:customerservice@tala.co.uk).

## Join the Community

Instagram: @tala | Facebook: talaHQ | Pinterest: TalaLED | Tag: lighttoliveby  
Tala Energy Ltd, 25B Vyner Street, London E2 9DG | +44 20 3026 3246 | [hello@tala.co.uk](mailto:hello@tala.co.uk)  
Tala North America, Inc. 2 Research Place, Suite 300, Rockville, MD 20850