



---

## ASSEMBLY AND MOUNTING INSTRUCTIONS

---

### GENERAL

---

- **WARNING-DISCONNECT POWER BEFORE RELAMPING OR WIRING THE FIXTURE. TURN OFF THE ENTIRE ELECTRICAL CIRCUIT TO WHICH THE LIGHTING FIXTURE IS ATTACHED**
- INSTALLATION AND MAINTENANCE OF THIS FIXTURE SHOULD BE COMPLETED BY A LICENSED ELECTRICIAN
- **FAILURE TO INSTALL FIXTURE CORRECTLY COULD RESULT IN SERIOUS INJURY OR DEATH**
- READ ALL INSTRUCTIONS BEFORE STARTING INSTALLATION.
- IF AN EXISTING FIXTURE IS BEING REPLACED, REMOVE IT AND NOTE TO WHICH WIRE IN THE OUTLET BOX THE ORIGINAL FIXTURE WAS ATTACHED.
- BEFORE DISCARDING THE CARTON DOUBLE CHECK THE PACKAGING TO MAKE SURE ALL PARTS HAVE BEEN FOUND.
- THIS FIXTURE WAS DESIGNED TO BE MOUNTED TO AN OCTAGON OUTLET BOX. THE BOX MUST BE SECURELY MOUNTED TO THE STRUCTURE OF THE BUILDING.

---

### INSTALLATION

---

- |   |  |
|---|--|
| <p><b>STEP 1.</b> Feed the cord through the screw collar, canopy, nipple, and mounting plate-until you desired hanging height is met.</p> <p><b>STEP 2.</b> Attach the small glass shade onto the fixture.</p> <p><b>STEP 3.</b> Tie an overhand knot to secure wire in place above the nipple, and trim off excess wire to min 6" beyond the knot. Strip each wire end 5/8"</p> <p><b>STEP 4.</b> Attach the mounting plate to the outlet box using the mounting screws.</p> <p><b>STEP 5.</b> Fasten bare ground wire to ground wire from the wall outlet box (usually green or copper color) or connect ground wire to green screw on the mounting plate.</p> <p><b>STEP 6.</b> Connect the neutral (white) fixture wire coming from the fixture base to neutral (usually white) outlet wire. Fasten both wires together with a plastic wire nut and tightly wrap the wire nut with electrical tape.</p> | <p><b>STEP 7.</b> Repeat the previous step with the hot (black wires). Make sure there are no exposed wires or strands that could cause a dangerous short circuit.<br/><b>FAILURE TO CONNECT THE APPROPRIATE WIRES CORRECTLY COULD RESULT IN SERIOUS INJURY OR DEATH!</b></p> <p><b>STEP 8.</b> Carefully place wires into Outlet Box.</p> <p><b>STEP 9.</b> Place the canopy with the fixture over the outlet box and fasten it by the screw collar.</p> <p><b>STEP 10.</b> Attach the glass shade onto the glass holder and secure it with the metal plate and socket ring.</p> <p><b>STEP 11.</b> Install the lamp. The fixture is rated for 60-watt type G lamp.<br/><b>DO NOT EXCEED RECOMMENDED WATTAGE!</b></p> <p><b>STEP 12.</b> Restore power to the circuit at breaker or fuse-box.</p> |
|---|--|

---

### DIMMING

---

The fixture can be controlled by a wall dimming device. Only use triac/electronic dimmer. Make sure carton is marked for use with LED compact fluorescent-incandescent light source only. These can be

provided by your local electrical distributor, home center, or hardware store.

---

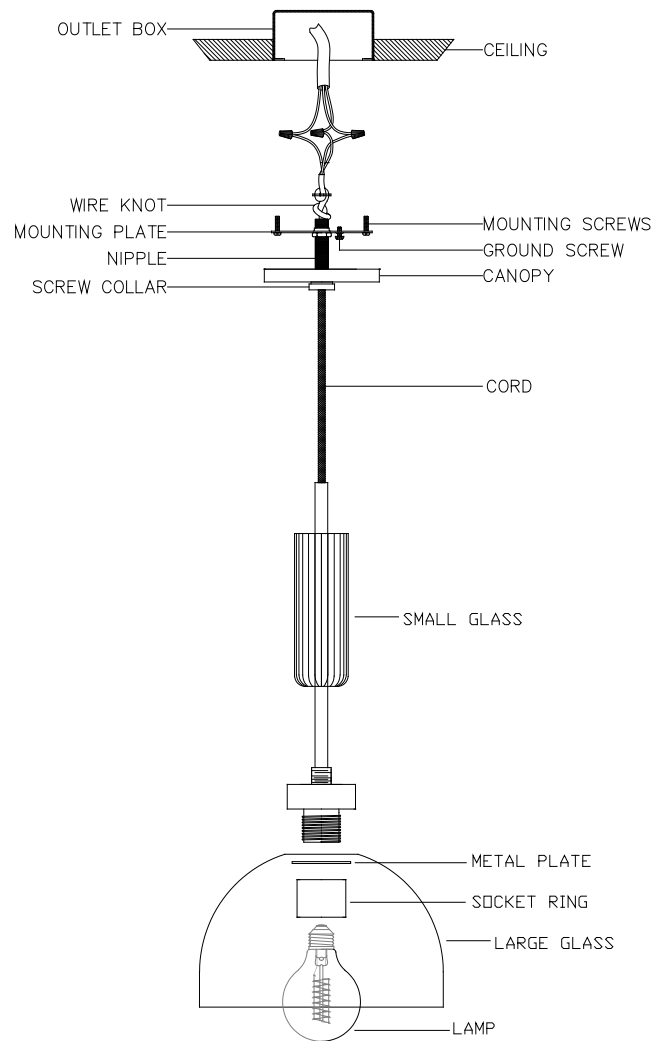
### CLEANING

---

Please clean with a soft, dry cloth ONLY! Do not use cleaning products.



**ASSEMBLY AND MOUNTING DIAGRAM**



**WIRE NUT/TAPING DIAGRAM**

