

**Pablo®**

# SWELL

## **ASSEMBLY & INSTALLATION INSTRUCTIONS**

### **TABLE OF CONTENTS**

pg. 2-5.....	SWELL SINGLE
pg. 6-9.....	SWELL STRING VERTICAL
pg. 10-13.....	SWELL STRING HORIZONTAL
pg. 14-17.....	SWELL CHANDELIER



Pablo®

SWELL

SINGLE

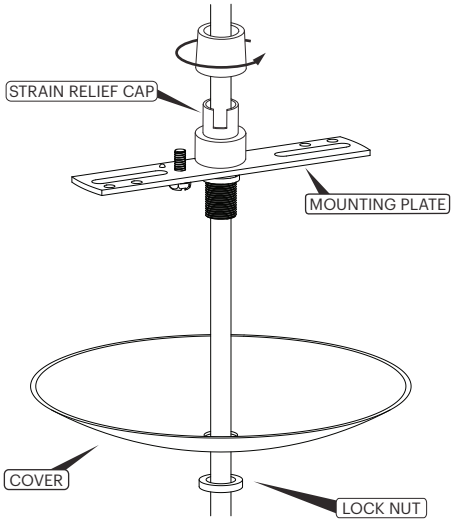
120V ASSEMBLY & INSTALLATION INSTRUCTIONS



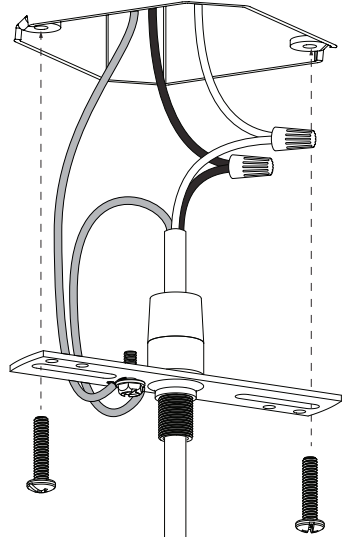
# SWELL SINGLE

IMPORTANT: WE RECOMMEND CEILING MOUNTING BE INSTALLED BY AN ELECTRICIAN

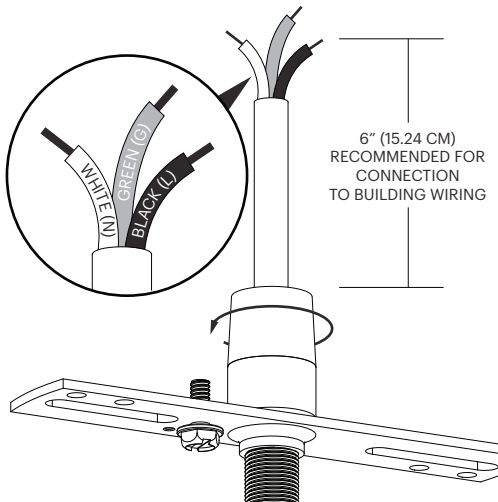
- 1** LOOSEN STRAIN RELIEF CAP AND FEED CORD THROUGH ALL COMPONENTS



- 3** ATTACH MOUNTING PLATE TO JUNCTION BOX. CONNECT BUILDING WIRING TO FIXTURE WIRING. CONNECT FIXTURE GROUND WIRE AND BUILDING GROUND WIRE TO GREEN GROUND SCREW ON MOUNTING PLATE

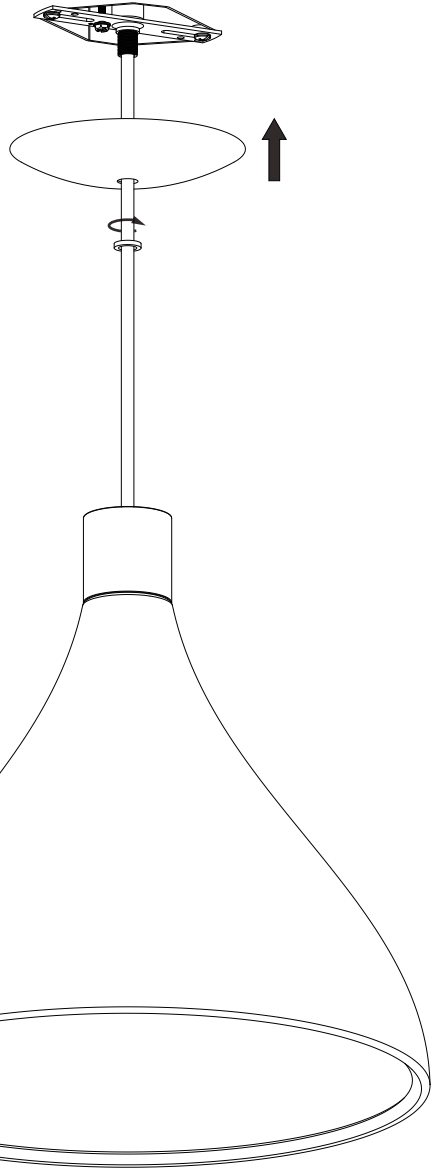


- 2** TIGHTEN STRAIN RELIEF CAP AT DESIRED HEIGHT



# SWELL SINGLE

- 4 SLIDE COVER UP TO CEILING, THEN SECURE COVER TO PLATE WITH THE LOCK NUT



**BULB TYPE**  
PAR30SN-E26-14.5W-3000K-40°



**CORD LENGTH**  
10FT (305CM)

**ELECTRONIC  
LOW VOLTAGE DIMMER  
RECOMMENDED**

**CARE INSTRUCTIONS**  
WIPE CLEAN WITH A SOFT  
DAMP CLOTH. AVOID  
AMMONIA-BASED CLEANERS

Pablo®

SWELL

SINGLE

INFO@PABLODESIGNS.COM  
888 MARIN STREET  
SAN FRANCISCO, CA  
94124

PABLODESIGNS.COM



---

# SWELL STRING

## 120V VERTICAL CABLE ASSEMBLY & INSTALLATION INSTRUCTIONS

INFO@PABLODESIGNS.COM  
888 MARIN STREET  
SAN FRANCISCO, CA  
94124

PABLODESIGNS.COM

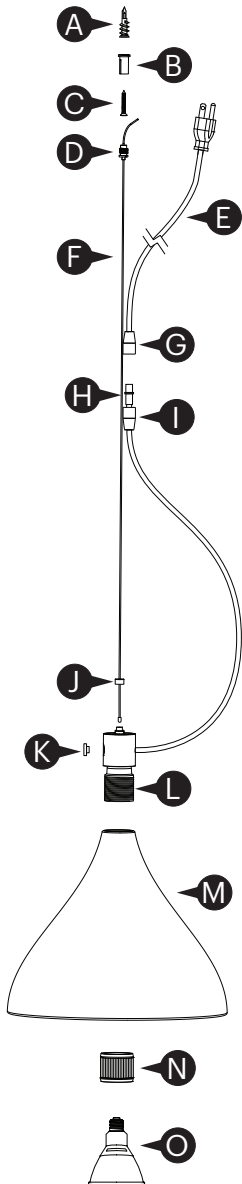


# SWELL STRING

**IMPORTANT: WE RECOMMEND FIXTURE BE INSTALLED BY AN ELECTRICIAN.**

**COMPONENT LIST**

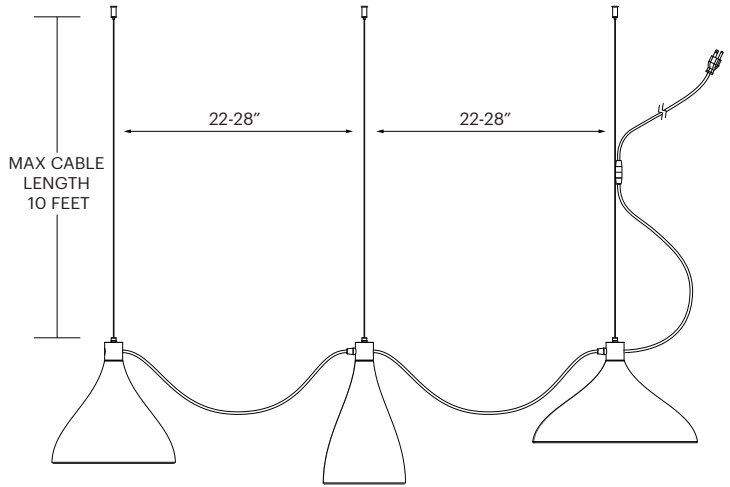
- A ANCHOR
- B FEMALE CABLE LOCK MOUNT
- C CABLE LOCK SCREW
- D MALE CABLE LOCK MOUNT
- E POWER FEED CORD
- F CABLE
- G FEMALE CONNECTOR
- H MALE CONNECTOR
- I CORD NUT
- J CABLE NUT
- K END CAP
- L SOCKET
- M SHADE
- N CHECK RING
- O BULB



**SUGGESTED HANGING CONFIGURATION**

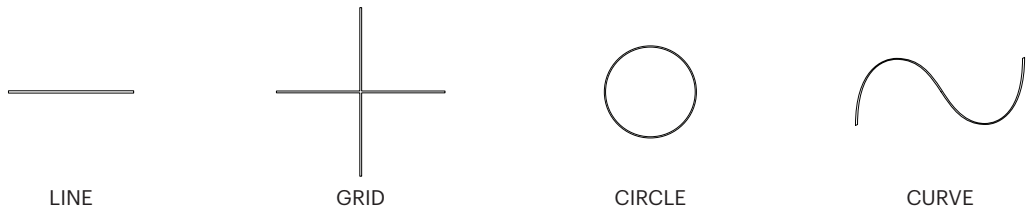
1. DETERMINE APPROPRIATE HEIGHT ABOVE SURFACE FOR LOWEST LAMP
2. SPACE EACH LAMP 22-28 INCHES (56-71CM) FROM THE CENTER OF PREVIOUS LAMP
3. AFTER LAYOUT IS DETERMINED, MARK PLACEMENT ON CEILING

NOTE: SPACE FIRST LAMP UP TO 120 INCHES FROM POWER SOURCE UNLESS USING AN ADDITIONAL EXTENSION CORD



**WARNING: MAXIMUM OF 34 INTERCONNECTED 14.5W LAMPS, DO NOT EXCEED 500 TOTAL WATTS**

**POTENTIAL HANGING ARRANGEMENTS**



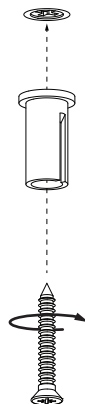
**1 CABLE LOCK INSTALLATION**

**A** INSTALL ANCHOR

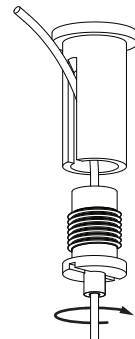


NOTE: TAP UNTHREADED TIP OF THE ANCHOR INTO THE CEILING, THEN USE PHILLIPS SCREWDRIVER TO COMPLETE INSTALLATION

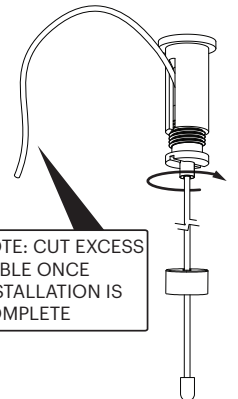
**B** INSTALL FEMALE CABLE LOCK MOUNT



**C** PLACE CABLE IN SLOT AS SHOWN. THREAD MALE CABLE LOCK MOUNT HALF-WAY INTO FEMALE CABLE LOCK MOUNT.



**D** DEPRESS NIPPLE ON CABLE LOCK TO ADJUST CABLE TO DESIRED LENGTH AND SCREW MALE CABLE LOCK COMPLETELY IN TO FINISH INSTALLATION

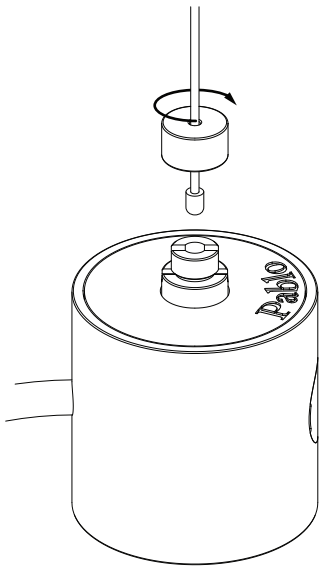


NOTE: CUT EXCESS CABLE ONCE INSTALLATION IS COMPLETE

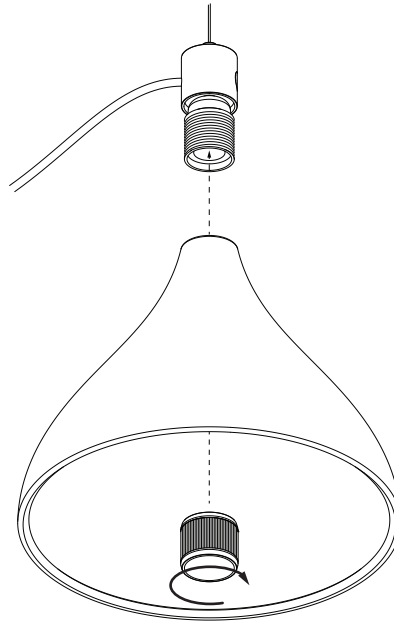
**NOTE: INSTALLATION REQUIRES WIRE CUTTERS AND A STANDARD PHILLIPS HEAD SCREW DRIVER**

# SWELL STRING

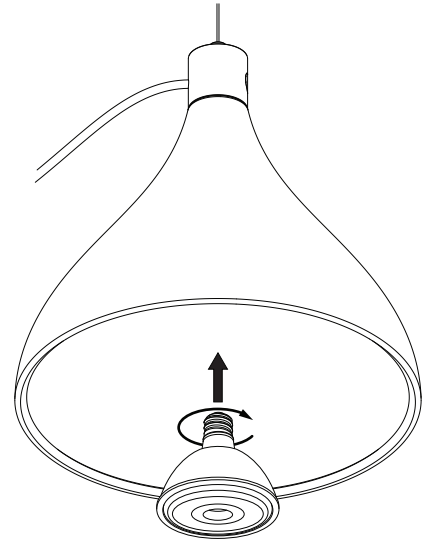
**2** SCREW CABLE NUT ONTO SOCKET AS SHOWN



**3** THREAD CHECK RING ONTO SOCKET TO CAPTURE AND SECURE SHADE

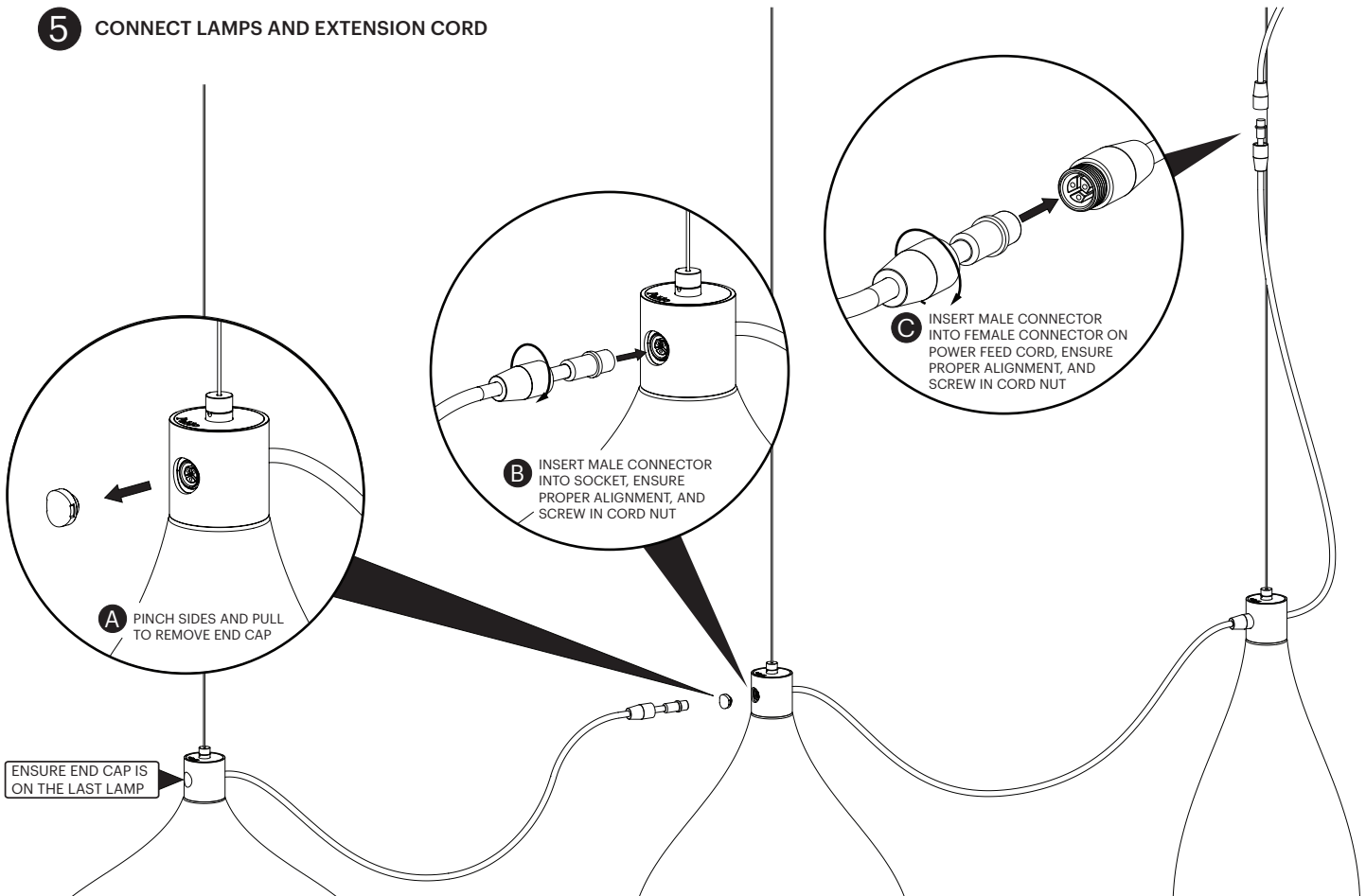


**4** SCREW IN BULB



NOTE: FOR NARROW SHADE, USE PROVIDED SOCKET EXTENDER TO INSTALL BULB

**5** CONNECT LAMPS AND EXTENSION CORD

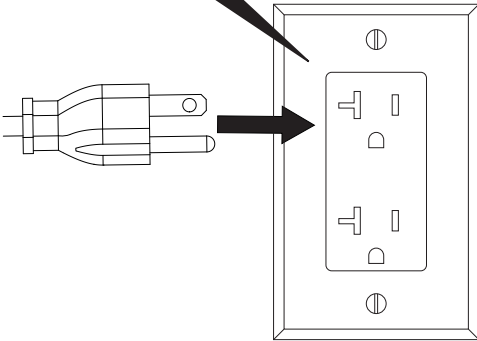




# SWELL STRING

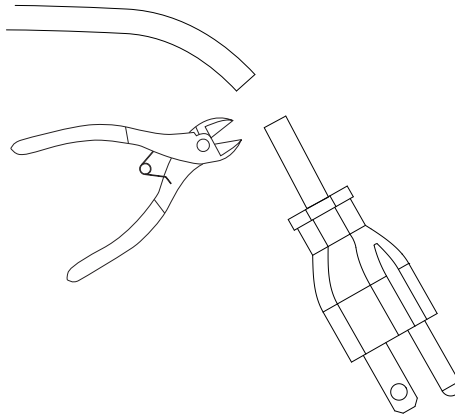
**6** POWER CONNECTION (OPTION ONE)

PLUG POWER CORD INTO OUTLET

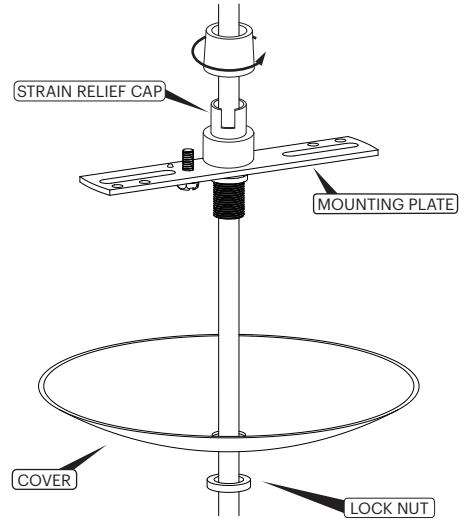


**6** POWER CONNECTION (OPTION TWO)

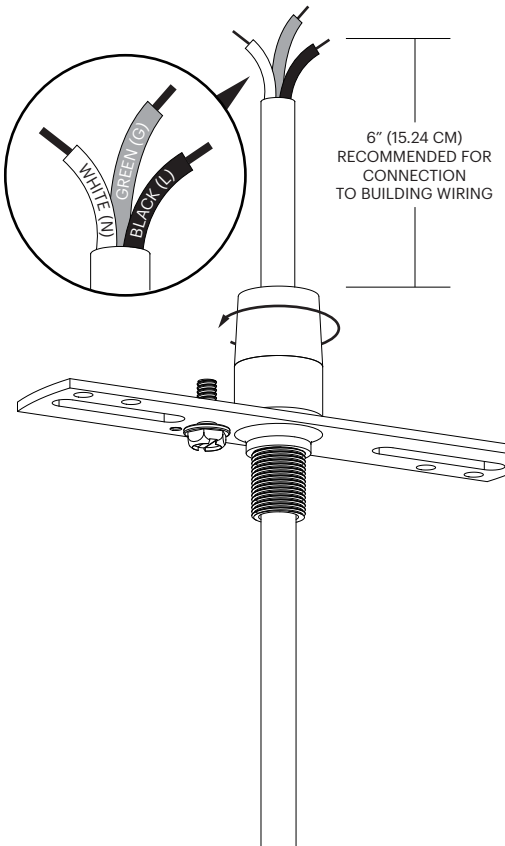
**A** CUT OFF OUTLET PLUG



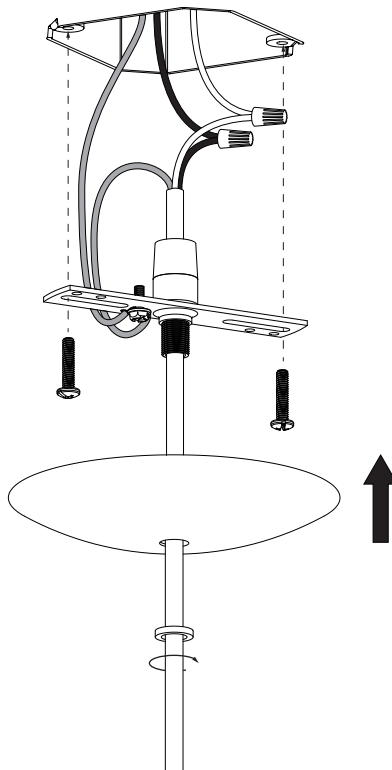
**B** LOOSEN STRAIN RELIEF CAP AND FEED CORD THROUGH ALL COMPONENTS



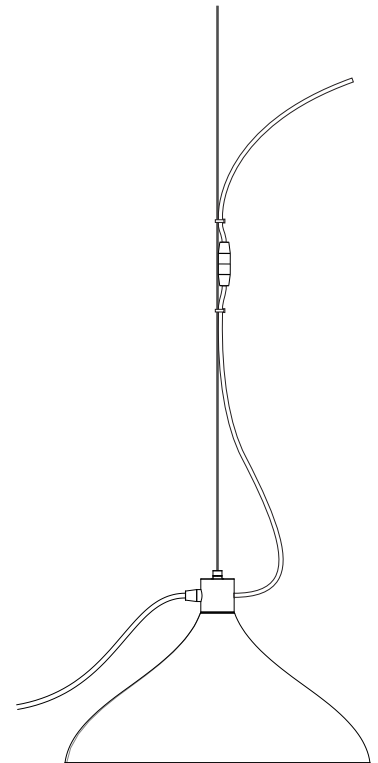
**C** TIGHTEN STRAIN RELIEF CAP AT DESIRED HEIGHT, ADDING 2-3 INCHES FOR CORD DRAPE. CUT CORD, LEAVING 6 INCHES ABOVE THE RELIEF CAP FOR WIRING



**D** ATTACH MOUNTING PLATE TO JUNCTION BOX, CONNECT BUILDING WIRING TO FIXTURE WIRING. CONNECT FIXTURE GROUND WIRE TO AND BUILDING GROUND WIRE TO GREEN GROUND SCREW ON MOUNTING PLATE. SLIDE CANOPY COVER UP TO CEILING, THEN SECURE COVER TO PLATE WITH THE LOCK NUT



**7** ZIP-TIE POWER CORD ON THE FIRST LAMP TO CABLE AS SHOWN



**BULB TYPE** PAR30SN-E26-14.5W-3000K-40°

**ELECTRONIC LOW VOLTAGE DIMMER RECOMMENDED**

**CARE INSTRUCTIONS** WIPE CLEAN WITH A SOFT DAMP CLOTH. AVOID AMMONIA-BASED CLEANERS





---

# SWELL STRING

## 120V HORIZONTAL CABLE ASSEMBLY & INSTALLATION INSTRUCTIONS

INFO@PABLODESIGNS.COM  
888 MARIN STREET  
SAN FRANCISCO, CA  
94124

PABLODESIGNS.COM



# SWELL STRING

**IMPORTANT: WE RECOMMEND FIXTURE BE INSTALLED BY AN ELECTRICIAN. WARNING: TURNBUCKLE MUST BE INSTALLED ON A STUD**

**COMPONENT LIST**

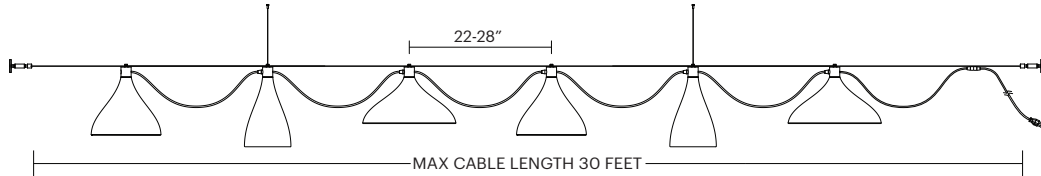
- A POWER FEED CORD
- B FEMALE CONNECTOR
- C MALE CONNECTOR
- D CORD NUT
- E CABLE NUT
- F TURNBUCKLE
- G CABLE
- H END CAP
- I SOCKET
- J SHADE
- K CHECK RING
- L BULB

**SUGGESTED HANGING CONFIGURATION**

1. DETERMINE APPROPRIATE HEIGHT ABOVE SURFACE FOR LOWEST LAMP
2. SPACE EACH LAMP 22-28 INCHES (56-71CM) FROM THE CENTER OF PREVIOUS LAMP
3. SPACE FIRST LAMP UP TO 120 INCHES FROM POWER SOURCE UNLESS USING AN ADDITIONAL EXTENSION CORD

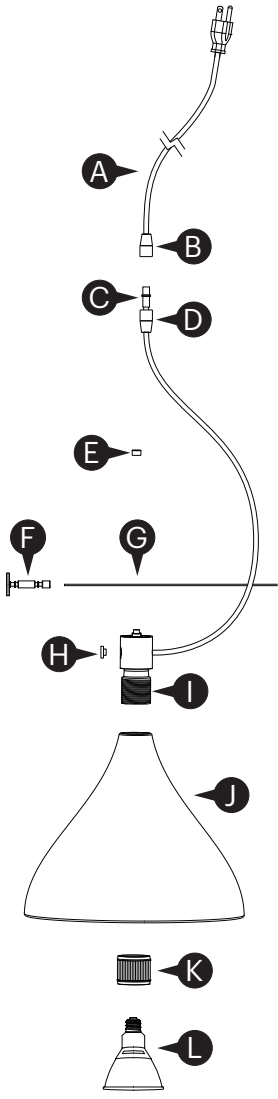
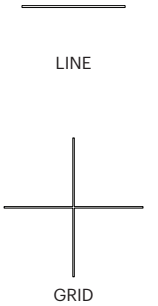
NOTE: WE RECOMMEND INSTALLING ONE VERTICAL CABLE MOUNT FOR EVERY THREE LAMPS HUNG ON HORIZONTAL CABLE FOR MINIMAL CABLE SAG. REFERENCE SWELL STRING VERTICAL CABLE ASSEMBLY INSTRUCTIONS FOR INSTALLATION.

NOTE: MAXIMUM OF 12 LAMPS CAN BE HUNG ON 30' LENGTH OF CABLE



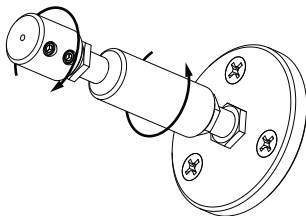
**WARNING: MAXIMUM OF 34 INTERCONNECTED 14.5W LAMPS, DO NOT EXCEED 500 TOTAL WATTS**

**POTENTIAL HANGING ARRANGEMENTS**



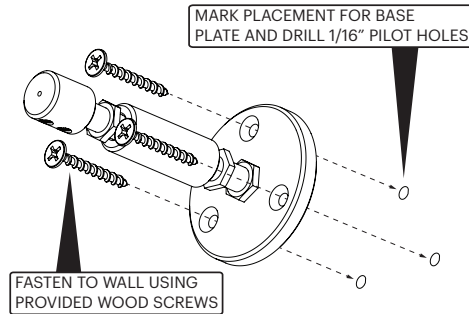
**1 TURNBUCKLE INSTALLATION**

**A** FULLY EXTEND TURNBUCKLE COMPONENTS SO THAT 1/4" OF THREADS ARE ENGAGED



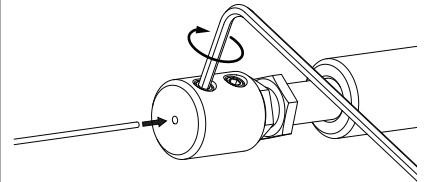
NOTE: TOP BARREL IS REVERSE THREADED

**B** FASTEN TURNBUCKLE TO WALL



NOTE: TURNBUCKLE **MUST** BE INSTALLED ON A STUD

**C** INSERT CABLE INTO FIRST TURNBUCKLE THEN FULLY TIGHTEN BOTH SET SCREWS WITH 2MM HEX KEY



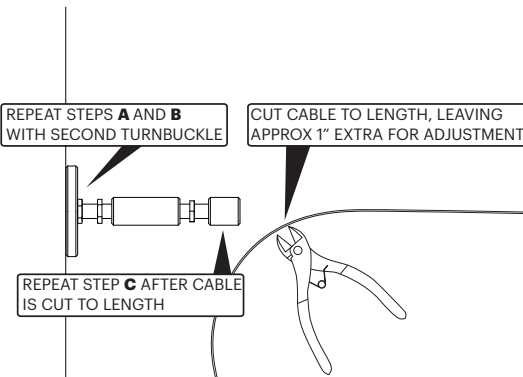
NOTE: ENSURE TURNBUCKLE IS **FULLY EXTENDED** TO MAXIMIZE ADJUSTABILITY

**E** INSTALL SECOND TURNBUCKLE

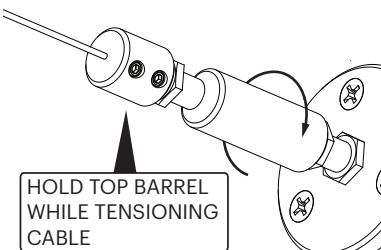
REPEAT STEPS **A** AND **B** WITH SECOND TURNBUCKLE

CUT CABLE TO LENGTH, LEAVING APPROX 1" EXTRA FOR ADJUSTMENT

REPEAT STEP **C** AFTER CABLE IS CUT TO LENGTH

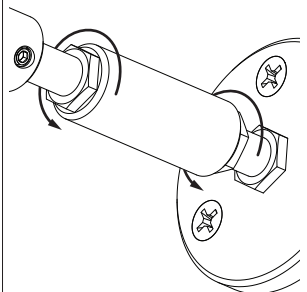


**F** WHILE HOLDING TOP BARREL, TWIST CENTRAL BARREL BY HAND TO TENSION THE CABLE



HOLD TOP BARREL WHILE TENSIONING CABLE

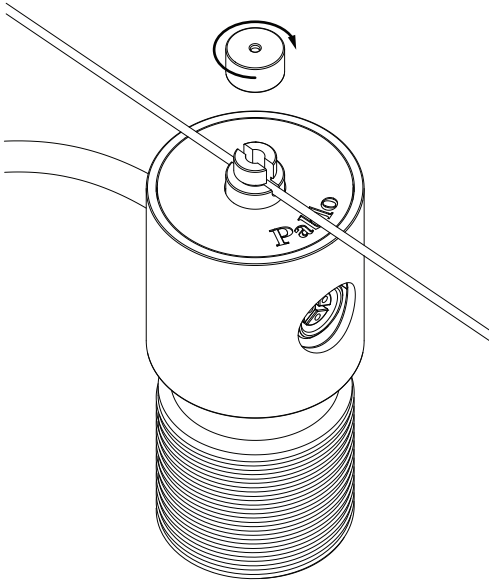
**G** WHEN CABLE IS FULLY TENSIONED, TIGHTEN NUTS AS SHOWN TO LOCK CENTRAL BARREL IN PLACE



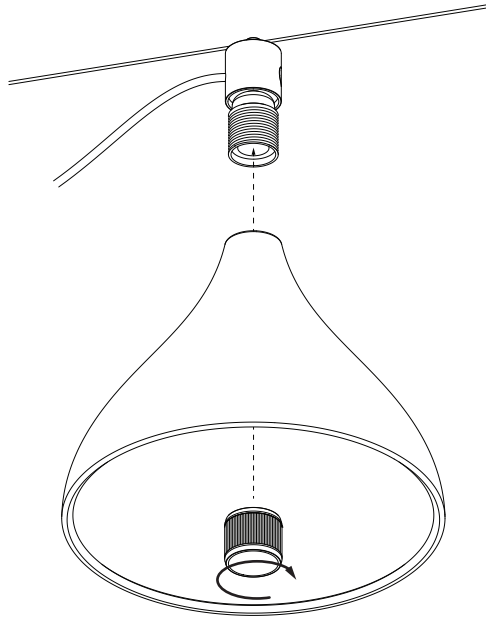
**NOTE: INSTALLATION REQUIRES WIRE CUTTERS, ADJUSTABLE WRENCH, DRILL, 1/16" DRILL BIT, AND A STANDARD PHILLIPS HEAD SCREW DRIVER**

# SWELL STRING

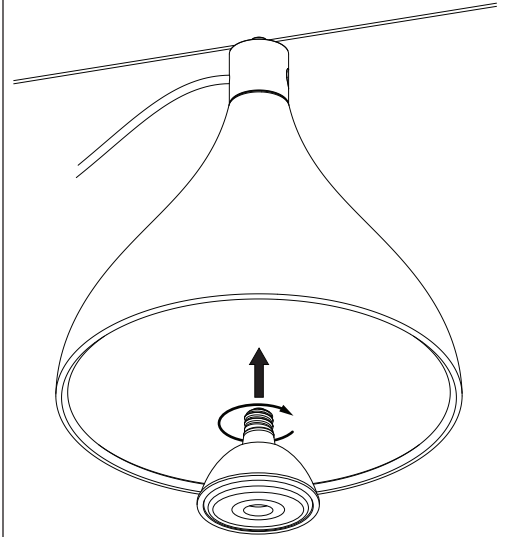
**2** SCREW CABLE NUT ONTO SOCKET AS SHOWN



**3** THREAD CHECK RING ONTO SOCKET TO CAPTURE AND SECURE SHADE

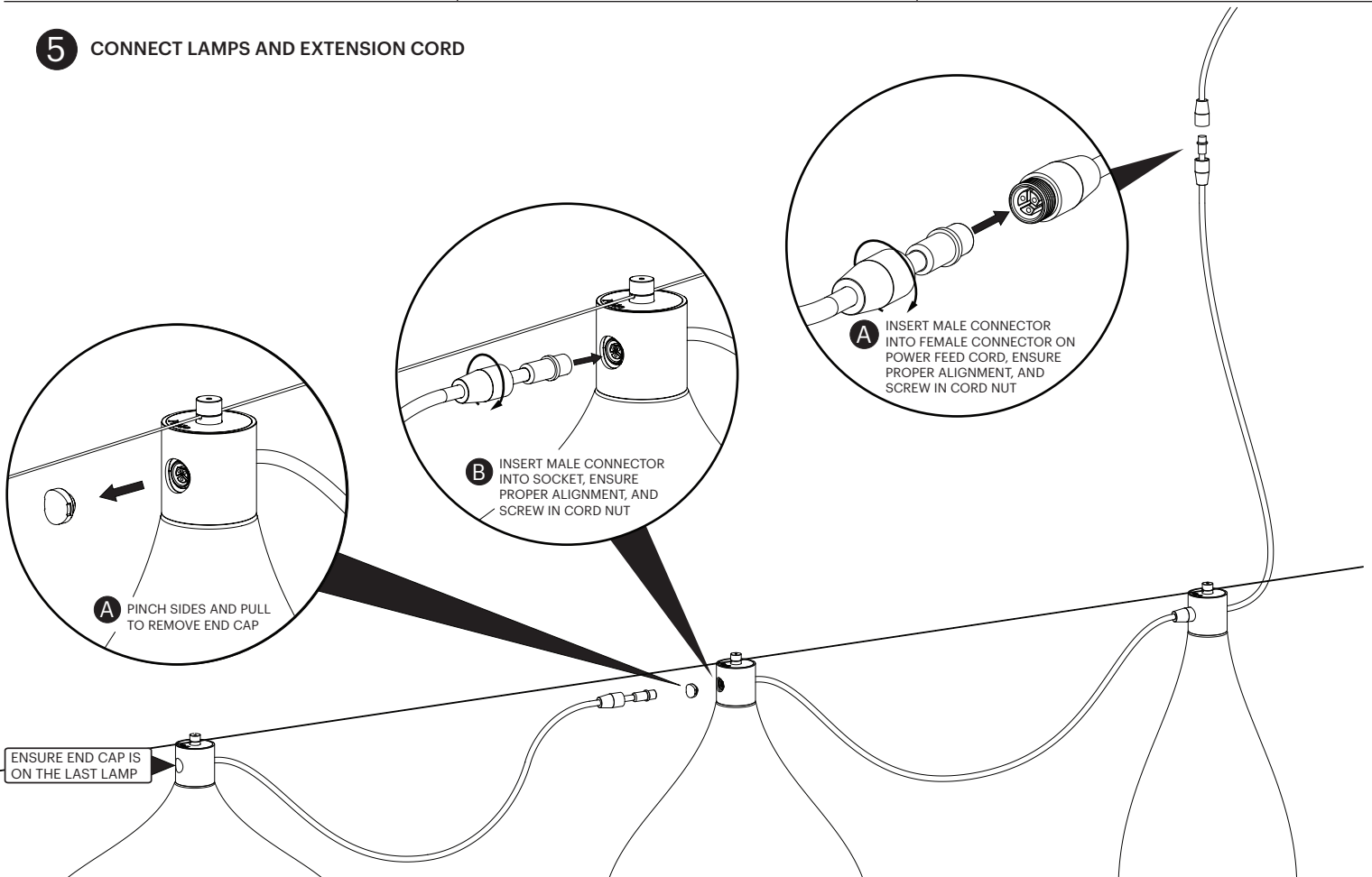


**4** SCREW IN BULB



NOTE: FOR NARROW SHADE, USE PROVIDED SOCKET EXTENDER TO INSTALL BULB

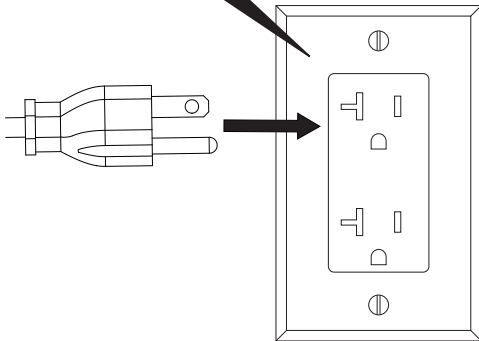
**5** CONNECT LAMPS AND EXTENSION CORD



# SWELL STRING

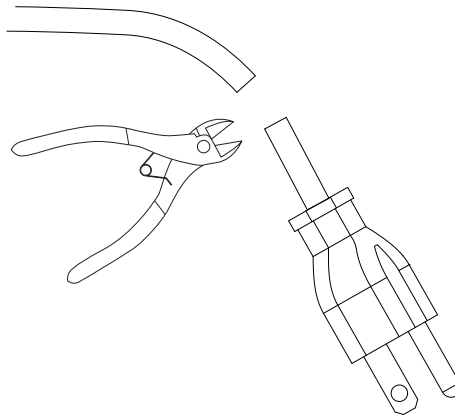
**6** POWER CONNECTION (OPTION ONE)

PLUG POWER CORD INTO OUTLET

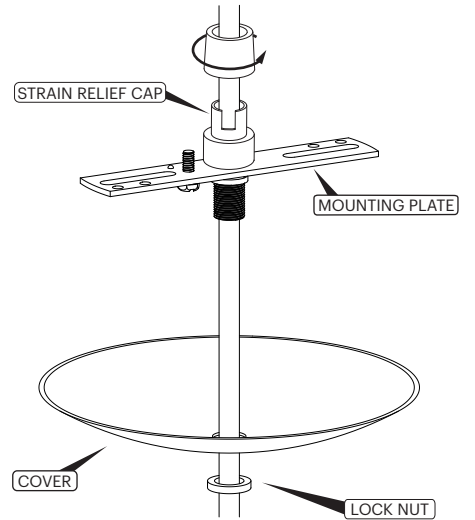


**6** POWER CONNECTION (OPTION TWO)

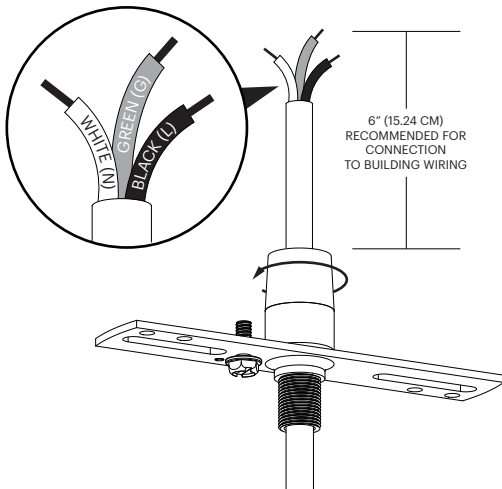
**A** CUT OFF OUTLET PLUG



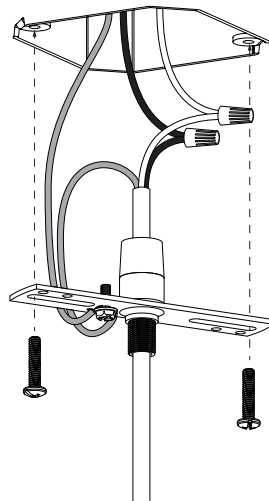
**B** LOOSEN STRAIN RELIEF CAP AND FEED CORD THROUGH ALL COMPONENTS



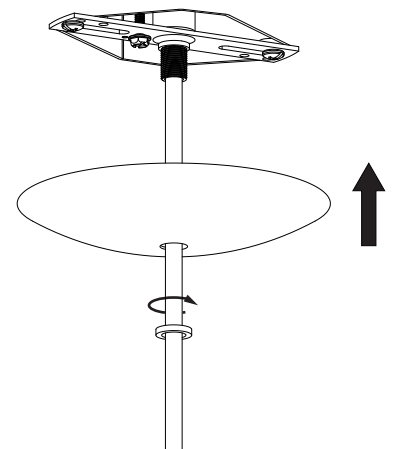
**C** TIGHTEN STRAIN RELIEF CAP AT DESIRED HEIGHT, ADDING 2-3 INCHES FOR CORD DRAPE. CUT CORD, LEAVING 6 INCHES ABOVE STRAIN RELIEF CAP FOR WIRING



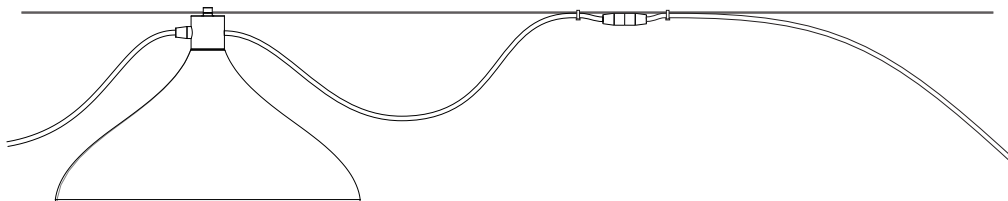
**D** ATTACH MOUNTING PLATE TO JUNCTION BOX, CONNECT BUILDING WIRING TO FIXTURE WIRING. CONNECT FIXTURE GROUND WIRE TO AND BUILDING GROUND WIRE TO GREEN GROUND SCREW ON MOUNTING PLATE



**E** SLIDE COVER UP TO CEILING, THEN SECURE COVER TO PLATE WITH THE LOCK NUT



**7** ZIP-TIE POWER CORD ON THE FIRST LAMP TO CABLE AS SHOWN



**BULB TYPE** PAR30SN-E26-14.5W-3000K-40°



**ELECTRONIC LOW VOLTAGE DIMMER RECOMMENDED**

**CARE INSTRUCTIONS** WIPE CLEAN WITH A SOFT DAMP CLOTH. AVOID AMMONIA-BASED CLEANERS

**Pablo®**

# SWELL CHANDELIER

## 120V ASSEMBLY & INSTALLATION INSTRUCTIONS

INFO@PABLODESIGNS.COM  
888 MARIN STREET  
SAN FRANCISCO, CA  
94124

PABLODESIGNS.COM

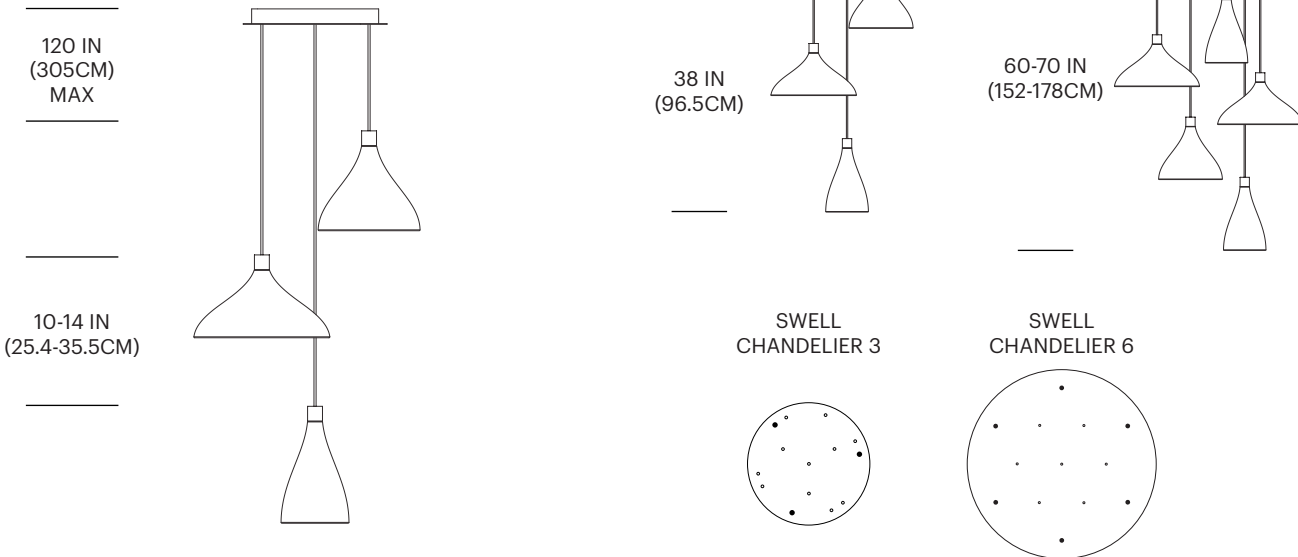


# SWELL CHANDELIER

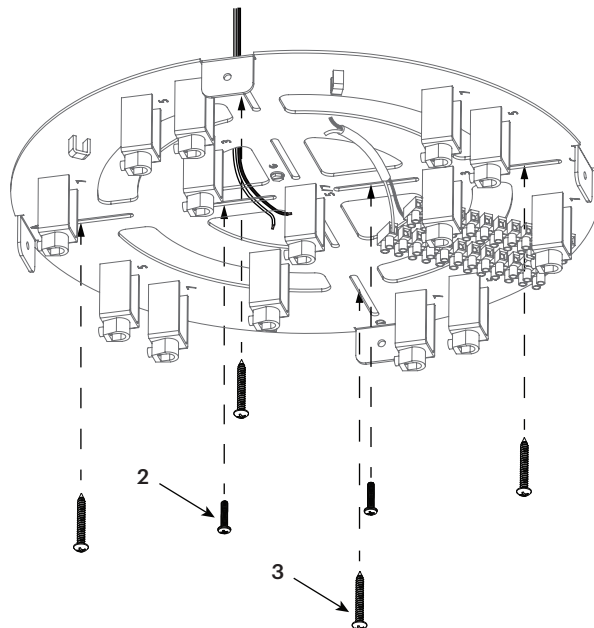
**IMPORTANT: WE RECOMMEND FIXTURE BE INSTALLED BY AN ELECTRICIAN. SWELL CHANDELIER MUST BE SECURELY ANCHORED TO 150LBS RATED JUNCTION BOX OR MOUNTED TO CEILING STUDS.**

## SUGGESTED HANGING CONFIGURATIONS

1. DETERMINE APPROPRIATE HEIGHT ABOVE SURFACE FOR LOWEST LAMP
2. SPACE EACH LAMP 3.5 INCHES (9CM) ABOVE THE PREVIOUS LAMP
3. MOVE UPWARDS IN A SPIRAL PATTERN



### 1 ROUTE BUILDING WIRING THROUGH MOUNTING PLATE



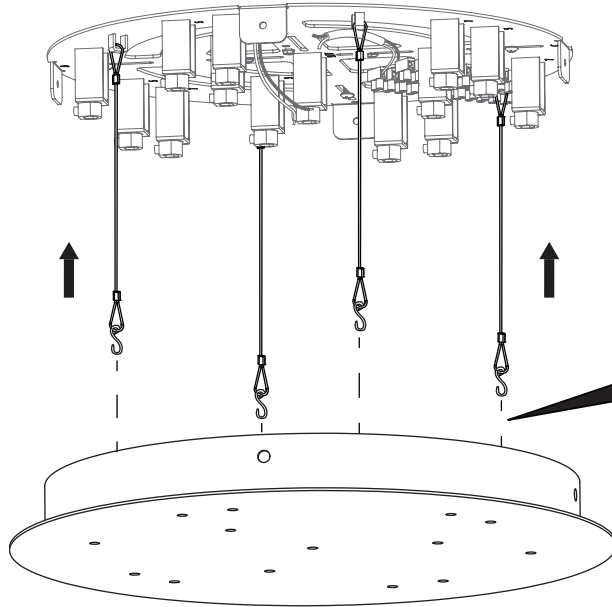
**2** ATTACH PLATE TO JUNCTION BOX WITH PROVIDED JUNCTION BOX MACHINE SCREWS

**3** ANCHOR PLATE INTO CEILING STUDS WITH PROVIDED WOOD SCREWS IF POSSIBLE. IF NOT, USE PROVIDED CEILING ANCHORS AND WOOD SCREWS TO SECURE PLATE TO CEILING

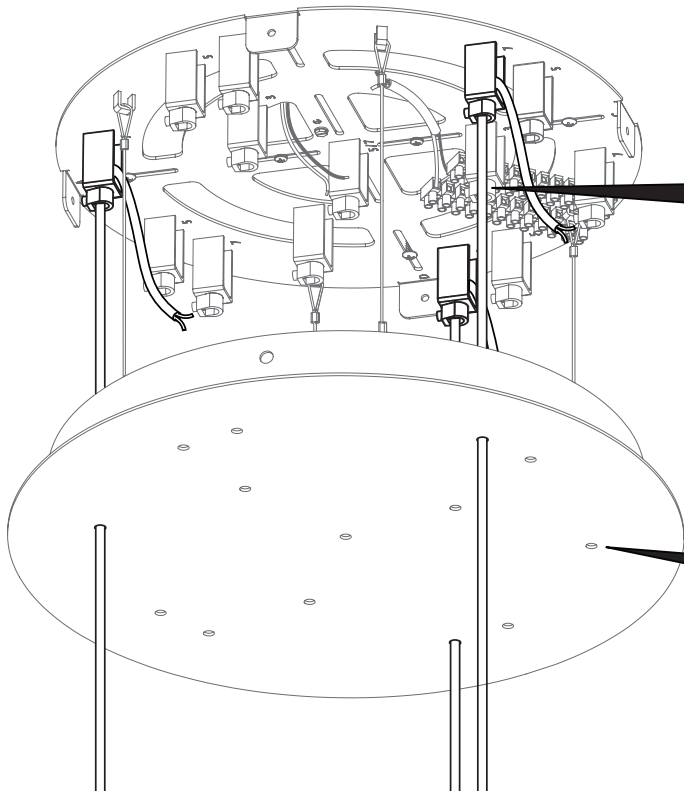
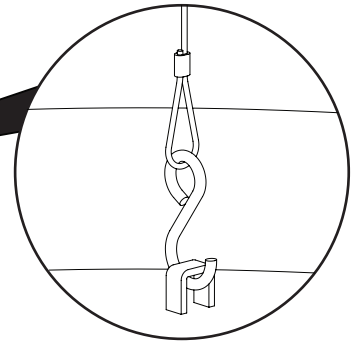
**NOTE: INSTALLATION REQUIRES STANDARD PHILLIPS HEAD SCREW DRIVER AND #2 FLAT HEAD SCREW DRIVER**

# SWELL CHANDELIER

- 4** ALIGN HOLES ON MOUNTING PLATE WITH CORRESPONDING HOLES ON CANOPY COVER



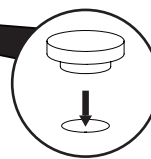
- 5** ATTACH CABLE HOOKS TO CABLE MOUNTS ON CANOPY COVER TO SUPPORT CANOPY COVER DURING INSTALLATION. CABLE HOOKS MUST REMAIN ATTACHED TO CANOPY COVER TO ENSURE SAFE INSTALLATION



- 6** USING THE SUGGESTED HANGING CONFIGURATION AS A GUIDE, FEED PENDANT CORDS THROUGH ASSIGNED HOLES IN CANOPY COVER AND STRAIN RELIEFS

- 7** PULL PENDANTS TO DESIRED HEIGHT REFERENCING SUGGESTED HANGING CONFIGURATIONS. USE #2 FLAT HEAD SCREW DRIVER TO SET STRAIN RELIEFS

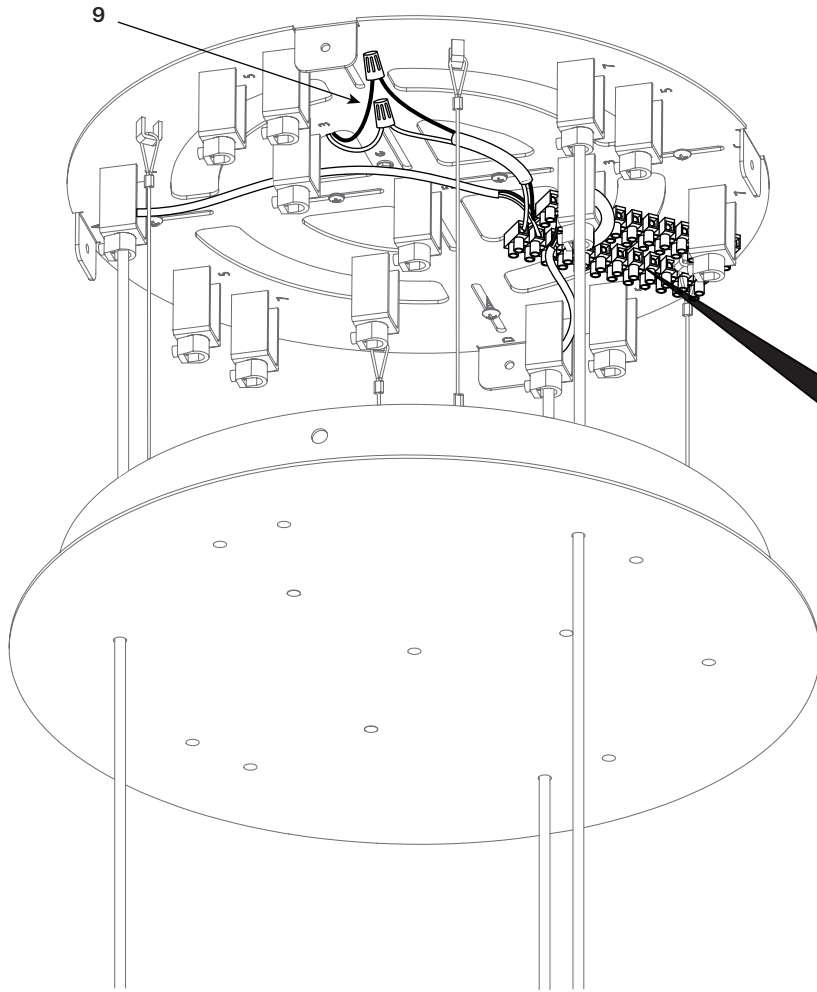
- 8** PRESS RUBBER PLUGS INTO UNUSED HOLES FROM INSIDE OF CANOPY COVER



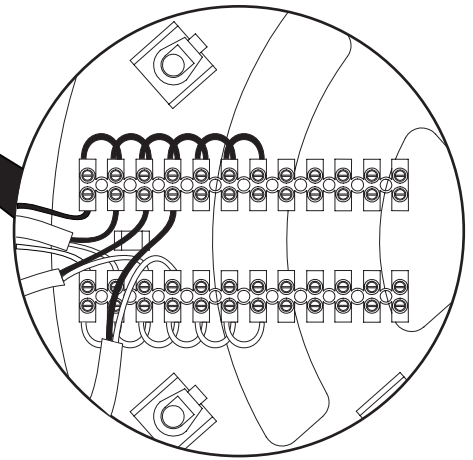
**NOTE: INSTALLATION SHOWN IS FOR SWELL CHANDELIER 3. FOR SWELL CHANDELIER 6, FOLLOW THE SAME WIRING PROCESS USING THE HOLE PLACEMENT OUTLINED IN SUGGESTED HANGING CONFIGURATIONS**



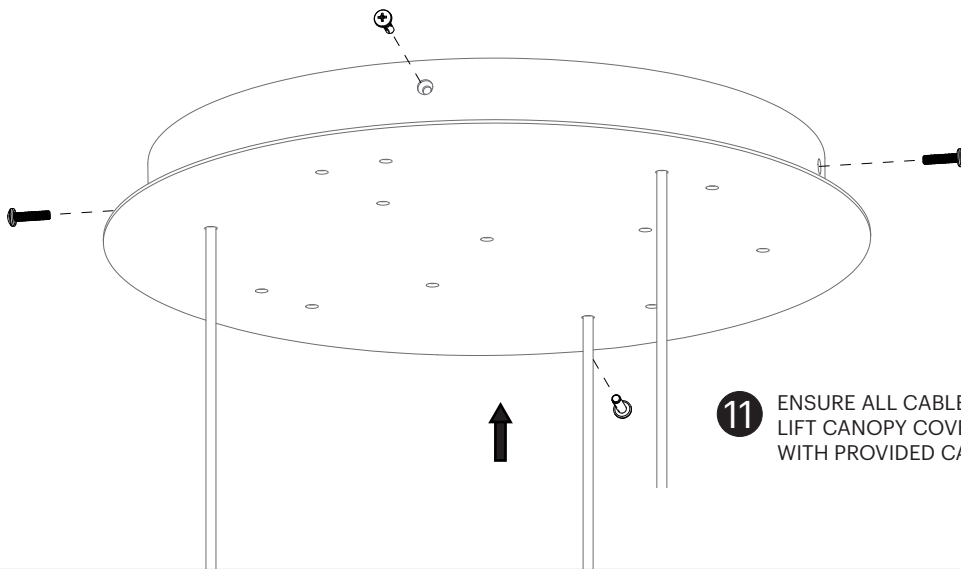
# SWELL CHANDELIER



**9** CUT CORDS TO REACH 12-PORT TERMINAL BLOCKS, ALLOWING FOR 3" OF EXTRA CORD PAST TERMINAL BLOCKS. STRIP CORDS SO LEAD WIRES ARE EXPOSED, THEN WIRE CORDS TO TERMINAL BLOCKS AS SHOWN AND SECURE WITH #2 FLAT HEAD SCREW DRIVER



**10** CONNECT BUILDING WIRING TO LEAD WIRE USING PROVIDED WIRE NUTS



**11** ENSURE ALL CABLES AND CORDS ARE TUCKED WITHIN CANOPY COVER. LIFT CANOPY COVER UP TO CEILING AND SECURE TO MOUNTING PLATE WITH PROVIDED CANOPY COVER MACHINE SCREWS