



SWELL

903880FGT-NDD

SWELL 80" FAN

| DETAILS | |
|--------------|----------|
| FAN FINISH: | Graphite |
| BLADE COUNT: | 3 |

| DIMENSIONS | |
|----------------|-----|
| WIDTH: | 80" |
| HEIGHT: | 15" |
| TOP TO OUTLET: | 0" |

| LIGHT SOURCE | |
|--------------|------|
| VOLTAGE: | 120v |

| MOUNTING | |
|------------|---------|
| CANOPY: | 6" Dia. |
| LEAD WIRE: | 1 x 76" |

Swell is sophisticated and distinct in design without sacrificing on its purpose. Available in Matte Black with Walnut blades or Graphite with Driftwood blades, Swell sets the tone for all contemporary spaces. Swell is DAMP rated, making it perfect for both interior and outdoor settings.

PRODUCT DETAILS:

- This item includes a 6" down rod. Various lengths are available to customize the installation height.
- Suitable for use in damp locations as defined by NEC and CEC. Meets United States UL Underwriters Laboratories & CSA Canadian Standards Association Product Safety Standards
- This item may be hung on a sloped ceiling
- Fan Control included, Wall Control - 6 Speed Reversing
- Motor carries a lifetime warranty
- Blades, controls, switches, capacitors and hardware carry a 1 year warranty
- Bold lines and a clean, minimalist style creates a modern look
- Fans should be installed at a minimum of 7 feet from the floor

HINKLEY

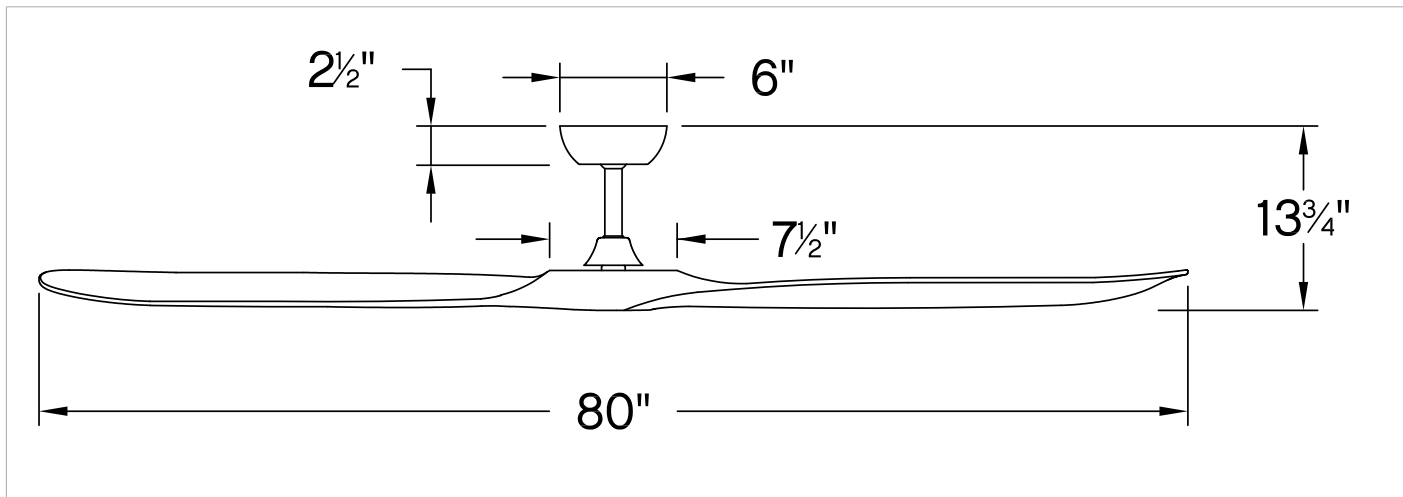
HINKLEY
33000 Pin Oak Parkway
Avon Lake, OH 44012

PHONE: (440) 653-5500
Toll Free: 1 (800) 446-5539

hinkley.com

SWELL 80" FAN

903880FGT-NDD



| PERFORMANCE SPECIFICATIONS | STANDARD | |
|----------------------------|------------|---------------|
| | HIGH SPEED | AVERAGE SPEED |
| Airflow | 10955 | 8554 |
| EnergyUse | 39.7 | 20 |
| EnergyCost | 11 | 6 |
| Efficiency | 276 | 433 |
| AMPS | 0.5 | 0.3 |
| RPMS | 102 | 74 |

AVERAGE PERFORMANCE AND ENERGY INFORMATION

ENERGYGUIDE

**Estimated
Yearly Energy Cost**

\$ 6

\$3
\$34

Cost Range of Similar Models (19" - 84")

- Based on 12 cents per kWh and 6.4 hours use per day
- Your cost depends on rates and use
- Energy Use: 20 Watts

All estimates based on typical use, excluding lights

Airflow

8,554

Cubic Feet Per Minute

- The higher the airflow, the more air the fan will move
- Airflow Efficiency: 115 Cubic Feet Per Minute Per Watt

ftc.gov/energy

Airflow Shown is a Weighted Average of High and Low Cubic Feet per Minute Based on Downrod