

Sweep Linear Suspension

700LSSWP

1.0



CAUTION - RISK OF FIRE
 This product must be installed in accordance with the applicable installation code by a person familiar with the construction and operation of the product and the hazards involved.
 Use minimum 90°c supply conductors.

GENERAL PRODUCT INFORMATION:

This product is suitable for damp locations.

These fixtures are intended to be installed utilizing NEC compliant junction boxes.

This product can be dimmed with most ELV or TRIAC dimmers.

This instruction shows a typical installation.



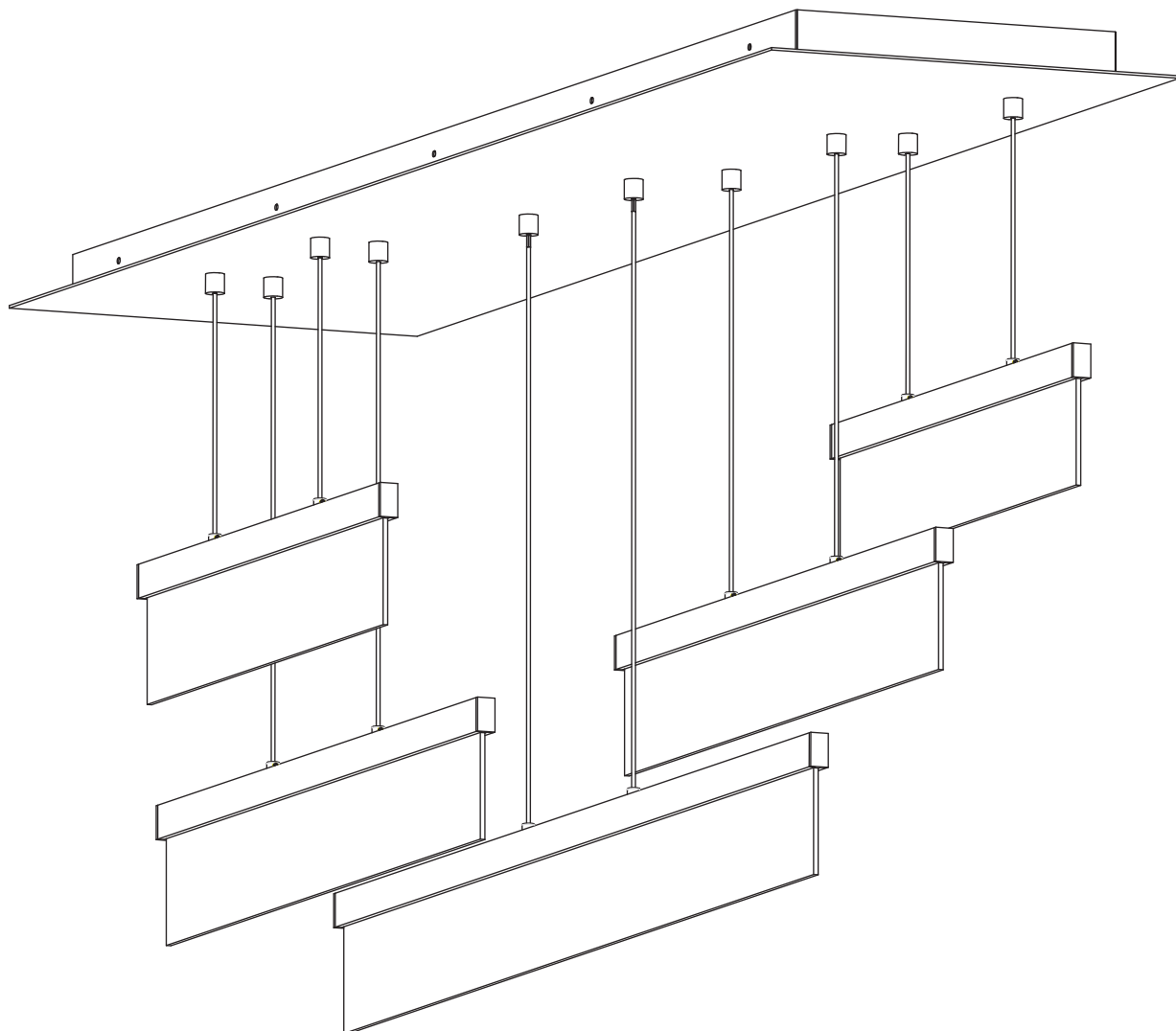
Two Person Installation Recommended



7400 Linder Ave, Skokie, IL 60077
847.410.4400

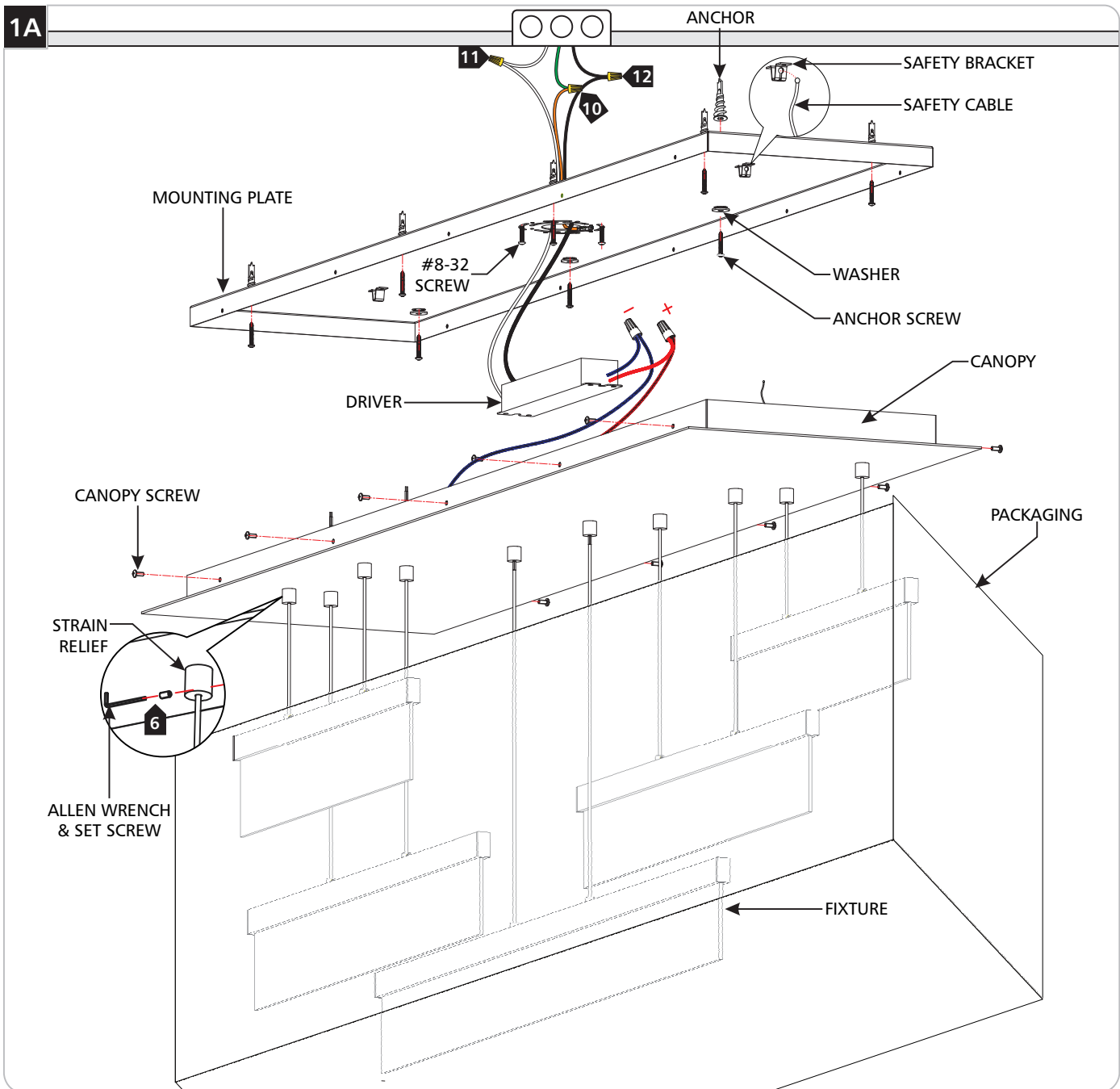
www.techlighting.com

© 2019 Tech Lighting, L.L.C. All rights reserved. The "Tech Lighting" graphic is a registered trademark of Tech Lighting, L.L.C. Tech Lighting reserves the right to change specifications for product improvements without notification.
A Generation Brands Company



SAVE THESE INSTRUCTIONS!

1A



IMPORTANT: Do not remove the fixtures from their styrofoam until step 10 is complete.

- 1 Remove the canopy screws on the sides of the canopy, then remove the mounting plate from the canopy.
- 2 Install the mounting plate to the junction box with the two #8-32 screws provided.
- 3 Verify that the mounting plate is level before continuing. Line up an anchor tip with the center of an anchor hole, and push the anchor into the wall up to the threads.
- 4 Screw the anchor in the rest of the way with a Phillips-head screwdriver.
- 5 Slide an anchor screw through a washer, and screw it into an anchor to secure the fixture base to the wall. Repeat steps 3-5 for remaining anchors.
- 6 Hook the safety cables through the safety brackets on each end of the canopy and mounting plate.
- 7 Connect the fixture to a suitable ground in accordance with local electrical codes.
- 8 Connect the white driver wire to the neutral power line with a wire nut.
- 9 Connect the black driver wire to the hot power line with a wire nut.
- 10 Properly place the driver, all wires, and wire nut connections into the junction box/canopy, mount the fixture back onto the mounting plate, and reinstall the canopy screws (reversal of step 1).
- 11 Carefully remove the fixtures from the packaging.
- 12 **Adjust the Fixture Height:**
 - With the provided Allen wrench, loosen (**do not remove**) the set screws on the strain reliefs.
 - Evenly push the cables up through the strain reliefs to raise the fixture to the desired height.
 - Re-tighten the set screws on the strain reliefs.