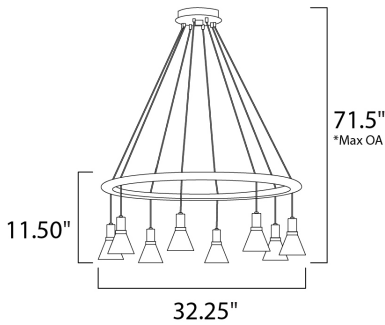




**PRODUCT DESCRIPTION**

A modern expression using natural materials, Scan features a stained Walnut wood wire way. Clear conical glass is suspended by Black Rayon cord and completed with Polished Nickel metalwork. 40 Watt Xenon G9 bulbs included.



\*max overall height of fixture

**MEASUREMENTS**

- DIMENSION : 32.25" L x 32.25" W x 11.5" H
- MAX OAH : 71.5" OAH
- CANOPY : 7.25" W x 1.5" H x 7.25" L
- HANGING WEIGHT : 11.8 lb

**LAMPING**

- INPUT VOLTAGE : 120V
- LUMENS : 3,920 Rated
- BULB : 40W Xenon G9 , 320W Total
- BULB INCLUDED : (Included)
- DIMMABLE : Yes

**FINISHES OPTION**

-  Walnut

**GLASS**

- Clear CL

**MATERIAL**

- Steel, Wood

**RATINGS**

- cETLus
- Dry Location



**ADDITIONAL**

- ADJUSTABLE
- RATED LIFE 2000 Hours
- OPERATING TEMPERATURE: -20°C (-4°F), 40°C (104°F)

Always consult a qualified electrician before installing any lighting product.



**Modifications or Customizations:** Please email [contract@studiomlighting.com](mailto:contract@studiomlighting.com)  
**Sample Request:** Please email [order@studiomlighting.com](mailto:order@studiomlighting.com) with subject line "Sample Order\_ [Project Name] / [Specifier/Designer]"  
 All samples are subject to Studio M approval and must show proof of project and/or explanation.

Job Name:	Job Type:
Quantity:	Comments: