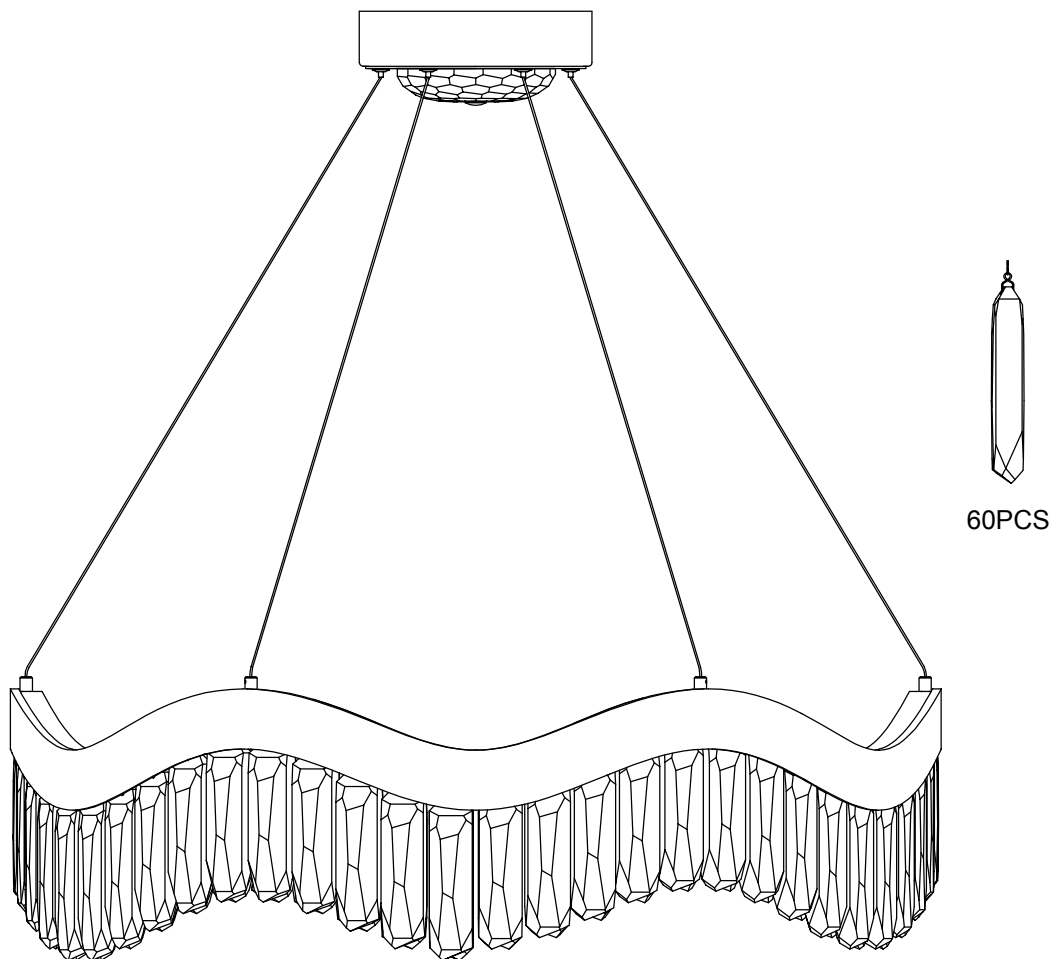


STUDIO•M

PRODUCT NAME: ROLLAND LED PENDANT

ITEM NUMBER: SM23838BCPN

Please consult your electrician for hanging fixture and wiring.

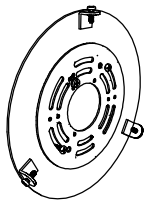


The fixture is designed to dim with a standard Triac forward phase dimmer. Dimming levels will vary by dimmer. Below is a list of recommended dimmers:
Lutron MACL-153M
Lutron DVL-153P
Lutron SCL-153P
Leviton IPL06-10Z
Leviton 6674-POW
Due to inrush current wattage should not exceed 150 watts of product for a 600 watt dimmer.

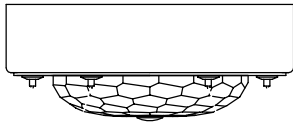
Warning! Wires need to be connected to driver found in canopy and should not be connected directly to power source or a short may occur.

LED 1X55W (Bulb included)

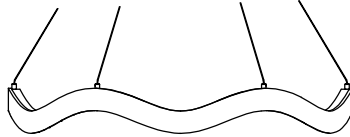
IMPORTANT: Turn off the power at the main fuse or circuit breaker box before starting installation.



Mounting Strap (A)



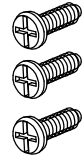
Canopy (B)



Body (C)

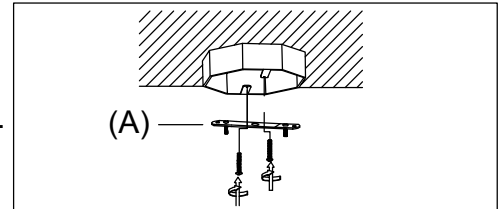
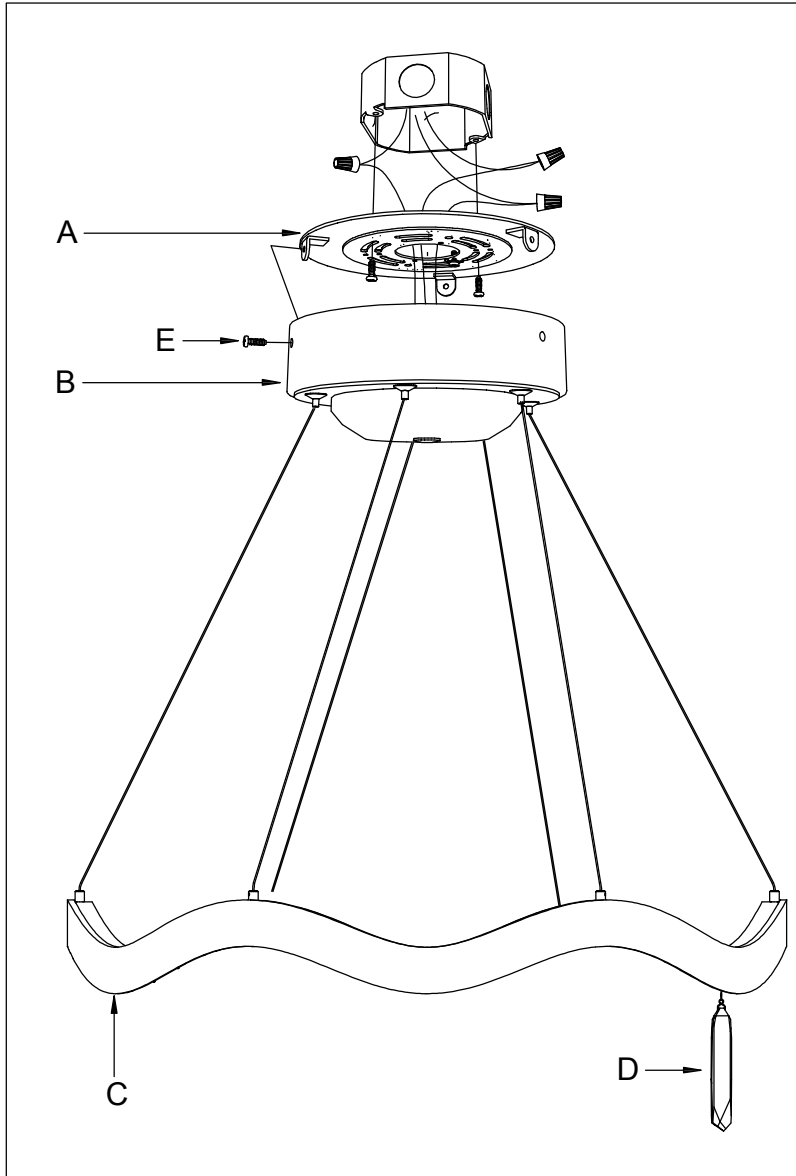


Crystal (D)



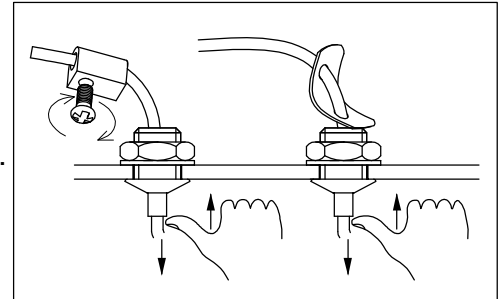
Screw (E)

Locate all hardware & components before discarding packaging



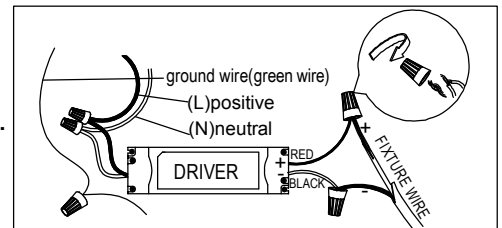
1).

Step.1: Remove Mounting Strap (A) from fixture and install to electrical box.



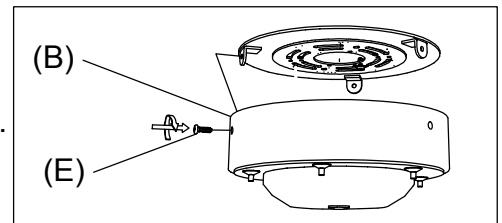
2).

Step.2: Press the wire restraint to adjust the desired length of cable and secure the cables and wire with lock and screws.



3).

Step.3: Wire fixtures to red wires of the transformer, wire black and white wire of the transformer to wires in outlet box. Silver wire is for ground.



4).

Step.4: Install canopy (B) to Mounting Strap (A) and secure with side screw (E). Hook the Crystal (D) on the arm.

Cleaning & Care:

Clean with soft cloth and a mild detergent.
Do not use abrasive cleaner.