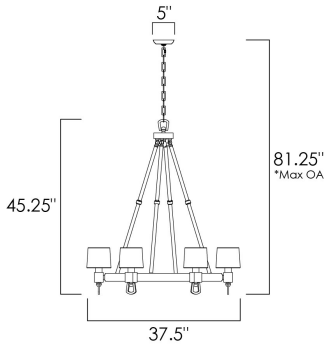




**PRODUCT DESCRIPTION**

A modern interpretation of 18th Century design, Jefferson updates a classic design combining various simple geometries. Cubes attached to a ring with suspended stirrups from a sphere all finished in Polished Silver with coordinating black shades with our signature Metallic Silver Patterned liner.



\*max overall height

**MEASUREMENTS**

- DIMENSION : 37.5" L x 37.5" W x 46.25" H
- MAX OAH : 119.25" OAH
- CANOPY : 5.1" W x 1" H x 5.1" L
- HANGING WEIGHT : 35.2 lb

**LAMPING**

- INPUT VOLTAGE : 120V
- BULB : 60W Incandescent E26 Medium , 360W Total
- BULB INCLUDED : (Not Included)

**FINISHES OPTION**

- Plated Silver

**MATERIAL**

Steel

**RATINGS**

cETLus  
Dry Location



**ADDITIONAL**

ADJUSTABLE  
OPERATING TEMPERATURE:  
-20°C (-4°F), 40°C (104°F)

Always consult a qualified electrician before installing any lighting product.



**Modifications or Customizations:** Please email [contract@studiomlighting.com](mailto:contract@studiomlighting.com)  
**Sample Request:** Please email [order@studiomlighting.com](mailto:order@studiomlighting.com) with subject line "Sample Order\_ [Project Name] / [Specifier/Designer]"  
 All samples are subject to Studio M approval and must show proof of project and/or explanation.

Job Name:	Job Type:
Quantity:	Comments: