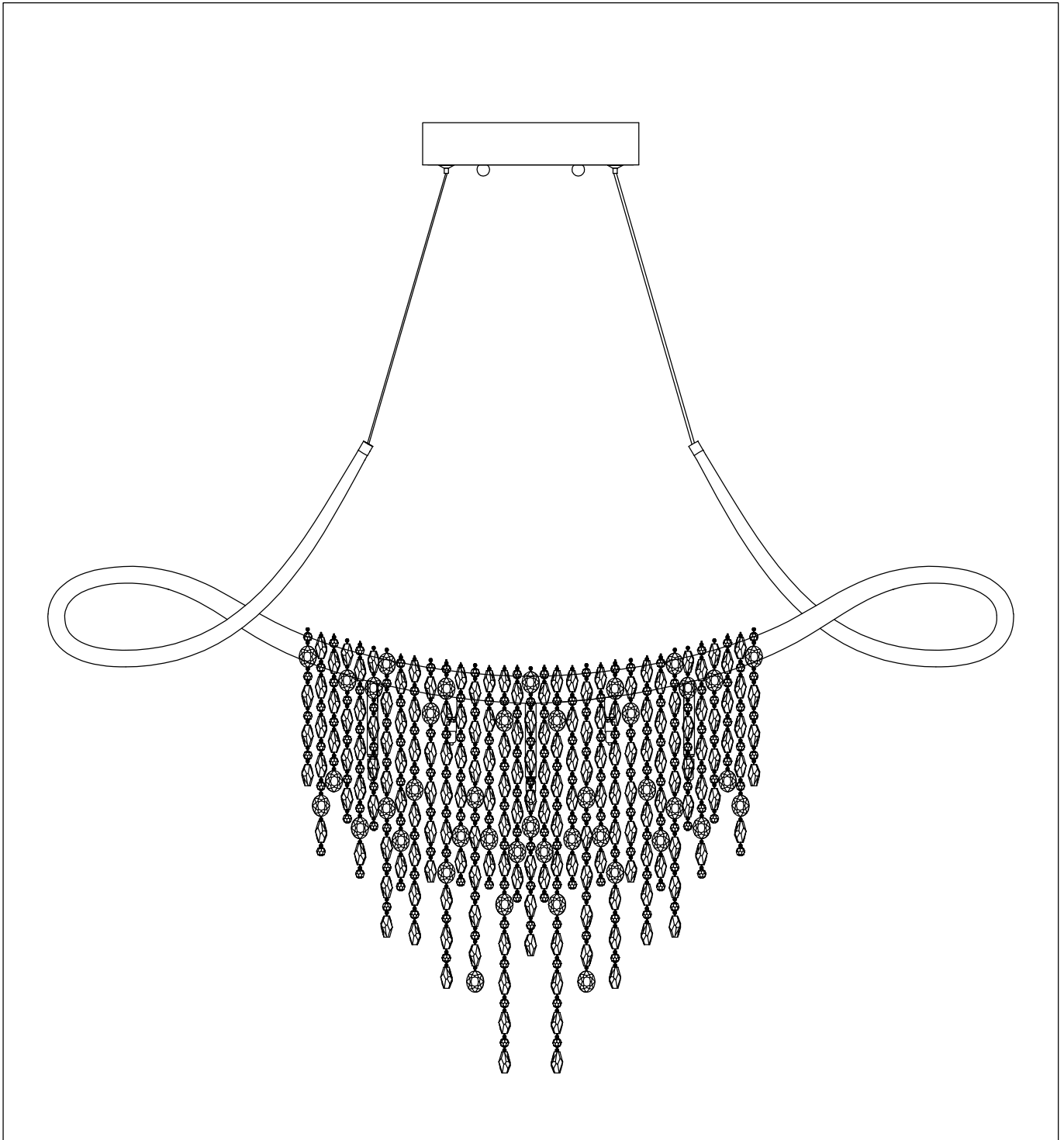


STUDIO•M

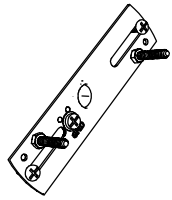
PRODUCT NAME: CRADLE 5LT LINEAR CHANDELIER
ITEM NUMBER: SM23834SL

Please consult your electrician for hanging fixture and wiring.

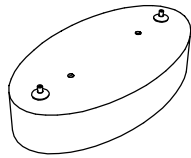


G4 5X20W (Bulb included)

IMPORTANT: Turn off the power at the main fuse or circuit breaker box before starting installation.



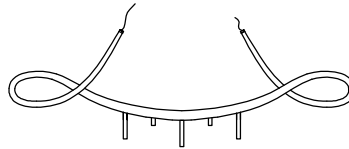
Mounting Strap (A)



Canopy (B)



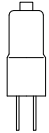
Ball Nut (C)



Body (D)

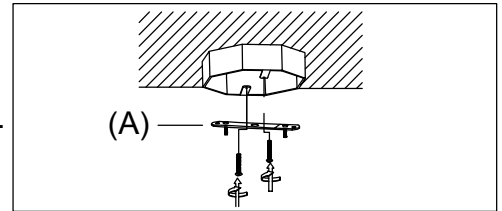
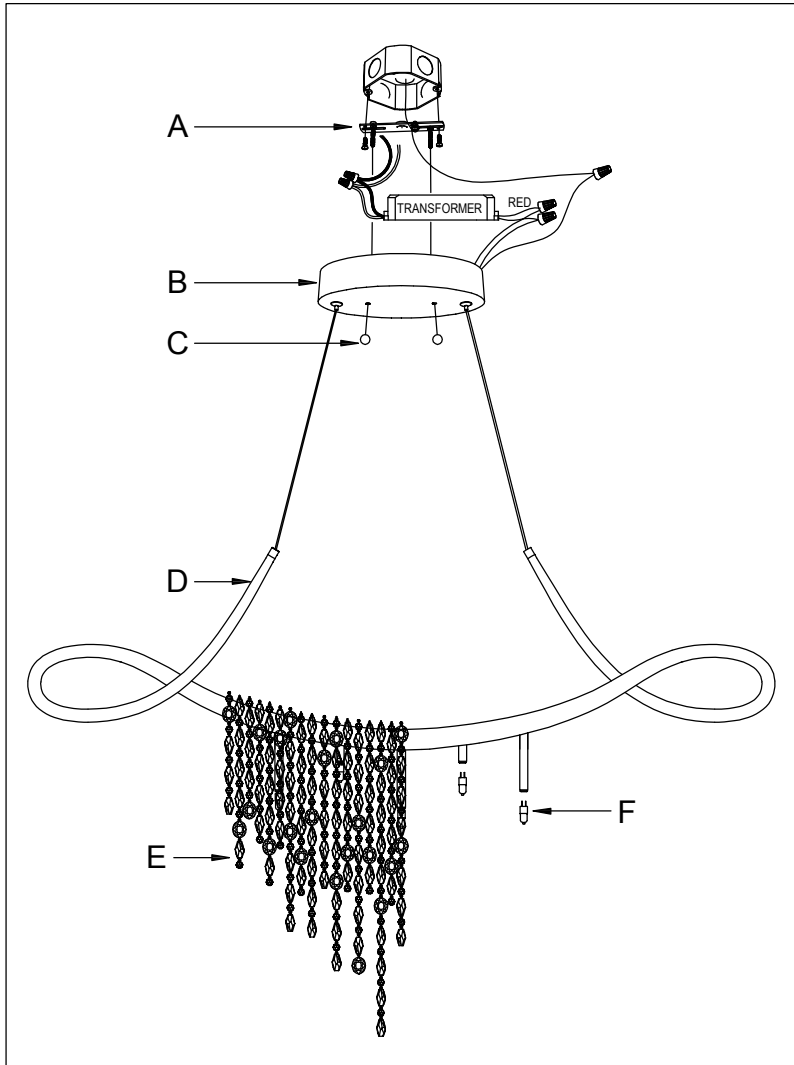


Crystal Chain (E)



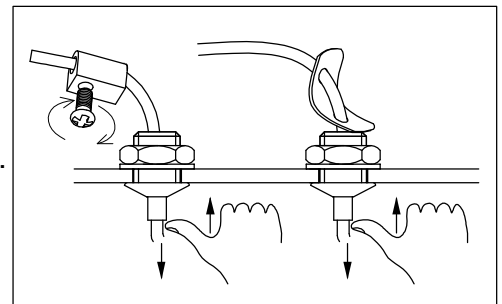
Bulb (F)

Locate all hardware & components before discarding packaging



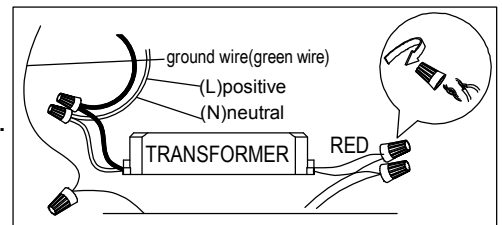
1.

Step.1: Remove Mounting Strap (A) from fixture and install to electrical box.



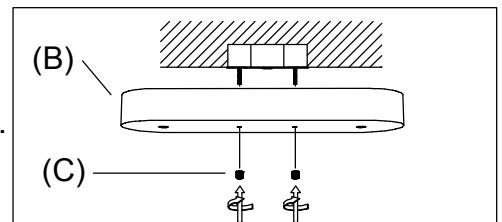
2.

Step.2: Press the wire restraint to adjust the desired length of cable and secure the cables and wire with lock and screws.



3.

Step.3: Wire fixtures to red wires of the transformer, wire black and white wire of the transformer to wires in outlet box. Silver wire is for ground.



4.

Step.4: Install body (D) to Mounting Strap (A) and tighten Ball Nut (C) on the canopy to secure. Insert bulb (F) in the socket. Put the Crystal Chain (E) randomly on the arm and make sure that it won't fall.

Cleaning & Care:

Clean with soft cloth and a mild detergent.
Do not use abrasive cleaner.