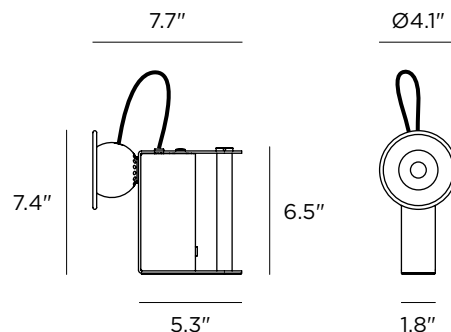


Decorative Table Lamp



Magnetic head-body connection

Technical data	
Designer	Stilnovo
Origin year	1958
Type	Table Lamps
Installation position	Floor
Installation environment	Indoor
Power	1 x 8.5 W
Lamp cap	1 x LED
Frequency	60 Hz
Optics	General Lighting
Light emission direction	Downward
IP	IP20
CE	Yes
Dimmable	Yes
Directional	Swivelling
Tilting	No
Cable included	Yes
Cable length	6.6 ft
Net weight	4.1 lbs

Casing	
Material	Steel
Color	9285 White RAL 9016 2986 Black RAL 9287 Gold RAL 9288 Green RAL 9289 Red RAL
Processing	Coating
Diffuser	
Material	PMMA
Processing	Transparent
Base	
Material	Steel
Processing	Coating
Lamping (recommended)	
1 x 8.5W 2700K 90CRI INTEGRAL	
Delivered Lumen	518 lm
Color temperature	2700 K
Color rendering index	90 CRI