

INSTALLATION INSTRUCTIONS

FOR P1170-617-L

FOR LED Pendant Light

WARNING! SHUT POWER OFF AT FUSE OR CIRCUIT BREAKER.

AVERTISSEMENT ! COUPER LE COURANT AU NIVEAU DES FUSIBLES OU DO DISJONCTEUR

PREPARING FOR INSTALLATION

1. Shut off power at the fuse box or circuit breaker box and remove the old fixture including the mounting hardware.
2. Carefully unpack your new fixture and lay out all the parts in a clear area. Take care not to misplace any small parts necessary for installation.

INSTALLATION (Fig. 1)

3. Remove the four mounting screws (DD) from the side of the canopy (A) and remove the mounting plate (BB).
4. Press the wire restraint (B) on the canopy (A) to adjust the cables (C) to desired length. Press the wire restraint (F) onto the canopy (A) to adjust the fixture wire (E) length. The fixture wire (E) should be longer than the cables (C).
5. Attach the mounting plate (BB) to the outlet box (not provided). Mark on the ceiling where the support screw holes are located. Remove the mounting plate (BB).
6. Drill pilot holes in the ceiling with a 1/4 in. drill bit. Push the plastic anchors (FF) into the holes.
7. Secure the mounting plate (BB) to the outlet box (not included) with the outlet box screws (CC). Tighten until snug. Screw the wood screws (EE) into the plastic anchors (FF).

CONNECTING THE WIRES (Fig. 2)

8. Connect the electrical wires as shown in Fig. 2, making sure that all wire connectors are secured. If your outlet has a ground wire (green or bare copper), connect the fixture's ground wire to it. Otherwise, connect the fixture's ground wire directly to the mounting plate (BB) using the green screw (AA) provided. Tuck the wire connections neatly into the junction box.

COMPLETING THE INSTALLATION (Fig. 1)

9. Attach the canopy (A) to the mounting plate (BB) and secure it with the mounting screws (DD).

Your installation is now complete. Return power to the junction box and test the fixture.

IMPORTANT: Fixture should be installed by a qualified electrician to ensure proper wiring and installation.

Dimmable with ELV and/or LED compatible wall dimmer switches.

Fig. 1

set#A-021-116420

- Mounting plate
- Ground screw
- Mounting screws*4pcs
- Plastic anchor*2pcs
- Wood screws*2pcs

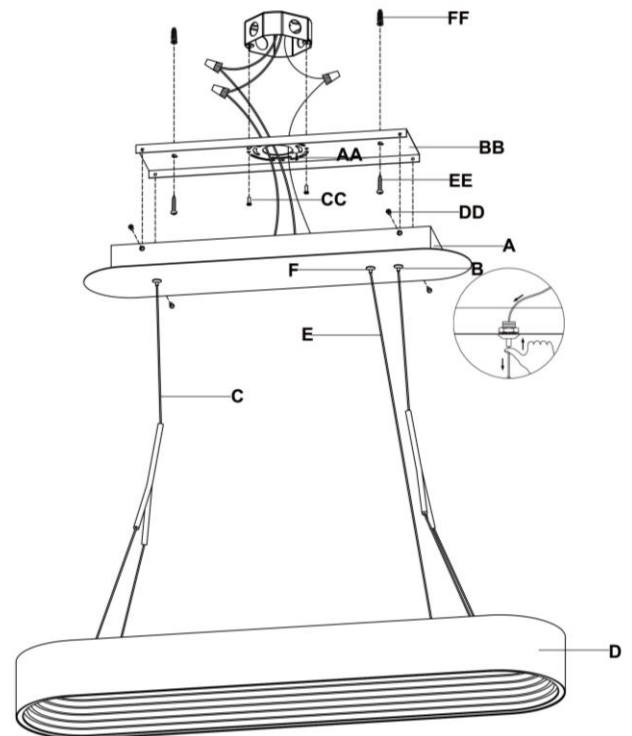


Fig. 2

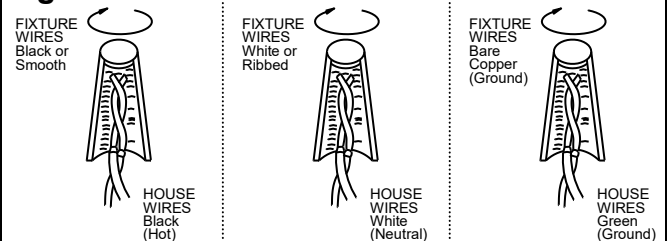


Fig.3

Replacing LED module (Fig. 3)

The LED module can be replaced by a qualified electrician without cutting of wire and without damage to any decorative element to which the fixture is attached. See installation steps for more details (Fig.3.)

- a. Shut off power. Remove the four mounting screws (DD) from the side of the canopy (A).
- b. Disconnect the wires by removing wire nuts. Take the whole fixture down to the working table.
- c. Disconnect the wires of the driver by removing wire nuts. Press the wire restraint (F) on the canopy (A) to release the wire (E) out from the canopy (A).
- d. Remove the screws (GG) from the fixture body (D).
- e. Remove the four screws (II) from the four barrels (HH)
- f. Remove the four screws (JJ) from the four barrels (KK)
- g. Remove top plate (G) with the LED board and wire (E).
- h. Reverse steps a-g for installing the new LED module.

Note: The LED module should be provided by a specified supplier.

