

WARNING

IMPORTANT: NEVER attempt any work without shutting off the electricity.

- Read all instructions before installing.
- System is intended for installation by a qualified electrician in accordance with the National Electrical Code and local regulations.
- Go to the main fuse box, or circuit breaker. Place the main power switch in the "OFF" position and unscrew the fuse(s) or switch "OFF" the circuit breaker switch(es) that control the power to the fixture or room that you are working on.
- Place the wall switch in the "OFF" position.

CAUTION

- All parts must be used as indicated in these instructions. Do not substitute any parts, leave parts out, or use any parts that are worn out or broken. Failure to follow this instruction could invalidate the ETL/CETL listing of this fixture.

CAUTION When handling the fixture, do not apply pressure to the LEDs. Hold the fixture by the base only.

AVERTISSEMENT

IMPORTANT : Coupez l'électricité avant TOUTE manipulation.

- Lisez toutes les instructions avant d'installer.
- Système est destiné à être installé par un électricien qualifié en conformité avec le code national de l'électricité et les règlements locaux.
- Accédez au panneau central de disjoncteurs ou de fusibles de votre demeure et placez l'interrupteur principal en position d'arrêt (« OFF »).
- Placez l'interrupteur mural en position d'arrêt (« OFF »).

MISE EN GARDE

- Toutes les pièces doivent être utilisées tel qu'il est indiqué dans ces instructions. Ne remplacez pas les pièces, n'en laissez pas de côté et ne les utilisez pas si elles sont usées ou brisées. Le non-respect de ces instructions peut annuler l'homologation ETL/CETL du luminaire.

MISE EN GARDE

Ors de la manipulation de l'appareil, ne pas appliquer de pression à la LED, tenir l'appareil par la seule base.

ADVERTENCIA

IMPORTANTE: NUNCA intente hacer trabajos sin desconectar el suministro eléctrico.

- Lea y comprenda todas las instrucciones e ilustraciones por completo antes de proceder con el ensamblaje e instalación de esta lámpara.
- Sistema está diseñado para ser instalado por un electricista calificado, de acuerdo con el código eléctrico nacional y las normas locales.
- Diríjase a la caja de fusibles o a la caja del interruptor de circuito principal en su hogar. Coloque el interruptor de alimentación principal en la posición "OFF" (APAGADO).
- Coloque el interruptor de la pared en la posición "OFF" (APAGADO).

PRECAUCIÓN

- Todas las piezas deben usarse como lo indican estas instrucciones. No reemplace las piezas, no omita piezas durante la instalación ni utilice piezas gastadas o rotas. El incumplimiento de esta indicación podría invalidar la calificación ETL/CETL esta lámpara.

PRECAUCIÓN Al manipular el aparato, no aplique presión a los LED, mantenga el aparato en la base sólo.

Hardware

A



Wire Connector
Qty: 3pcs+1 Extra
P3

B



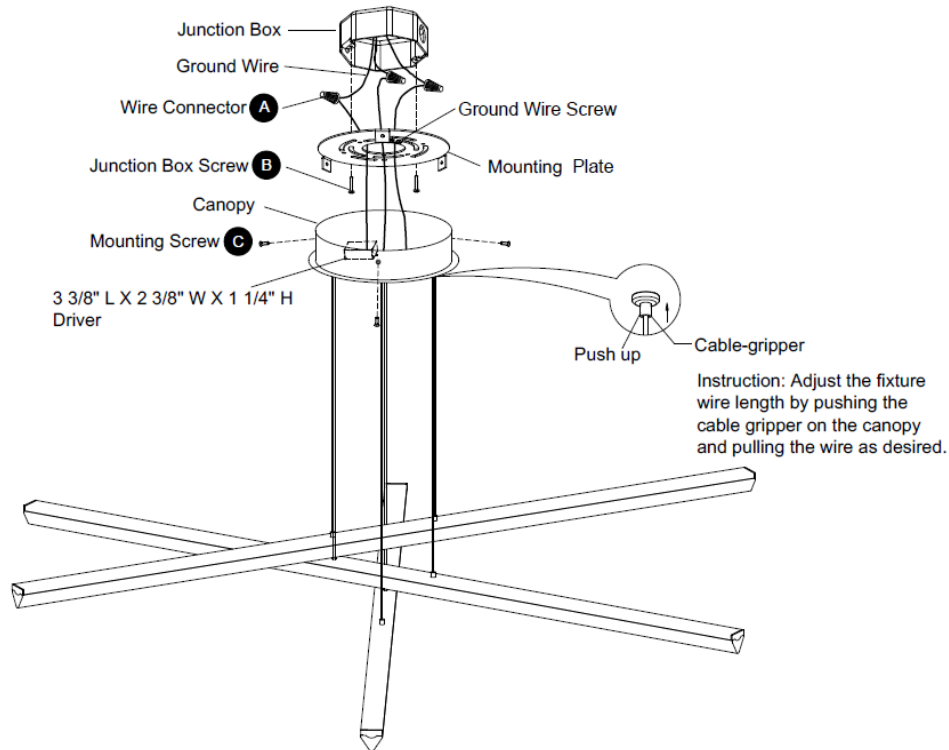
Junction Box Screw
Qty: 2pcs+1 Extra
8#-32×13/16
Nickel Plating

C



Mounting Screw
Qty:1 Extra
5/32"-32×1/2
Chrome Plating

Fig. 1



PREPARATION

1. Shut off the power at the circuit breaker and remove existing fixture, including the crossbar.
2. Carefully unpack your new fixture and lay out all the parts on a clear area. Be careful not to lose any small parts necessary for installation.

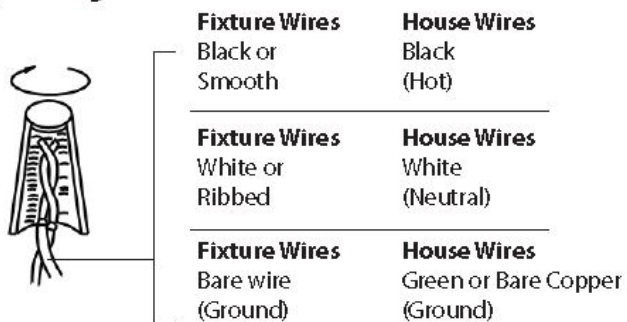
CONNECTING THE WIRES (Fig. 2)

3. Remove the mounting screw (C) from the canopy.
4. Adjust the fixture wire length by pushing the cable gripper on the canopy and pulling the wire as desired. Make sure the wires are the same length.
5. Connect the Driver's input wires to junction box wires as shown in Fig. 2, making sure that all wire connectors (A) are secured. If your outlet box has a green or bare copper ground wire, connect the fixture's ground wire to it. Otherwise, connect the fixture's ground wire directly to the back plate using the green screw provided. After wires are connected, tuck them carefully inside the junction box.

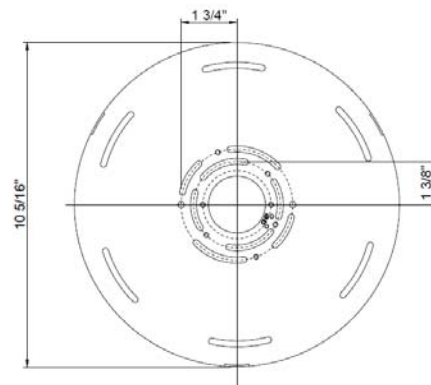
MOUNTING THE FIXTURE (Fig. 1)

6. Secure the mounting back plate to the junction box using junction box screws (B). The side of the mounting back plate marked "GND" must face out.
7. Secure the canopy to the mounting plate using the mounting screw (C).

Fig.2 Wiring



MOUNTING BACK PLATE



WAC Lighting
 www.wacighting.com
 Phone (800) 526.2588 • Fax (800) 526.2585

Headquarters/Eastern Distribution Center
 44 Harbor Park Drive • Port Washington, NY 11050
 Phone (516) 515.5000 • Fax (516) 515.5050

Western Distribution Center
 1750 Archibald Ave • Ontario, CA 91761
 Phone (800) 526.2588 • Fax (800) 526.2585



WARNING

IMPORTANT: NEVER attempt any work without shutting off the electricity.

- Read all instructions before installing.
- System is intended for installation by a qualified electrician in accordance with the National Electrical Code and local regulations.
- Go to the main fuse box, or circuit breaker. Place the main power switch in the "OFF" position and unscrew the fuse(s) or switch "OFF" the circuit breaker switch(es) that control the power to the fixture or room that you are working on.
- Place the wall switch in the "OFF" position.

CAUTION

- All parts must be used as indicated in these instructions. Do not substitute any parts, leave parts out, or use any parts that are worn out or broken. Failure to follow this instruction could invalidate the ETL/CETL listing of this fixture.
- When handling the fixture, do not apply pressure to the LEDs. Hold the fixture by the base only.

AVERTISSEMENT

IMPORTANT : Coupez l'électricité avant TOUTE manipulation.

- Lisez toutes les instructions avant d'installer.
- Système est destiné à être installé par un électricien qualifié en conformité avec le code national de l'électricité et les règlements locaux. Accédez au panneau central de disjoncteurs ou de fusibles de votre demeure et placez l'interrupteur principal en position d'arrêt (« OFF »).
- Placez l'interrupteur mural en position d'arrêt (« OFF »).

MISE EN GARDE

- Toutes les pièces doivent être utilisées tel qu'il est indiqué dans ces instructions. Ne remplacez pas les pièces, n'en laissez pas de côté et ne les utilisez pas si elles sont usées ou brisées. Le non-respect de ces instructions peut annuler l'homologation ETL/CETL du luminaire.
- Ors de la manipulation de l'appareil, ne pas appliquer de pression à la LED, tenir l'appareil par la seule base.

ADVERTENCIA

IMPORTANTE: NUNCA intente hacer trabajos sin desconectar el suministro eléctrico.

- Lea y comprenda todas las instrucciones e ilustraciones por completo antes de proceder con el ensamblaje e instalación de esta lámpara.
- Sistema está diseñado para ser instalado por un electricista calificado, de acuerdo con el código eléctrico nacional y las normas locales.
- Diríjase a la caja de fusibles o a la caja del interruptor de circuito principal en su hogar. Coloque el interruptor de alimentación principal en la posición "OFF" (APAGADO).
- Coloque el interruptor de la pared en la posición "OFF" (APAGADO).

PRECAUCIÓN

- Todas las piezas deben usarse como lo indican estas instrucciones. No reemplace las piezas, no omita piezas durante la instalación ni utilice piezas gastadas o rotas. El incumplimiento de esta indicación podría invalidar la calificación ETL/CETL esta lámpara.
- Al manipular el aparato, no aplique presión a los LED, mantenga el aparato en la base sólo.

Hardware



Wire Connector
Qty: 3pcs+1 Extra
P3

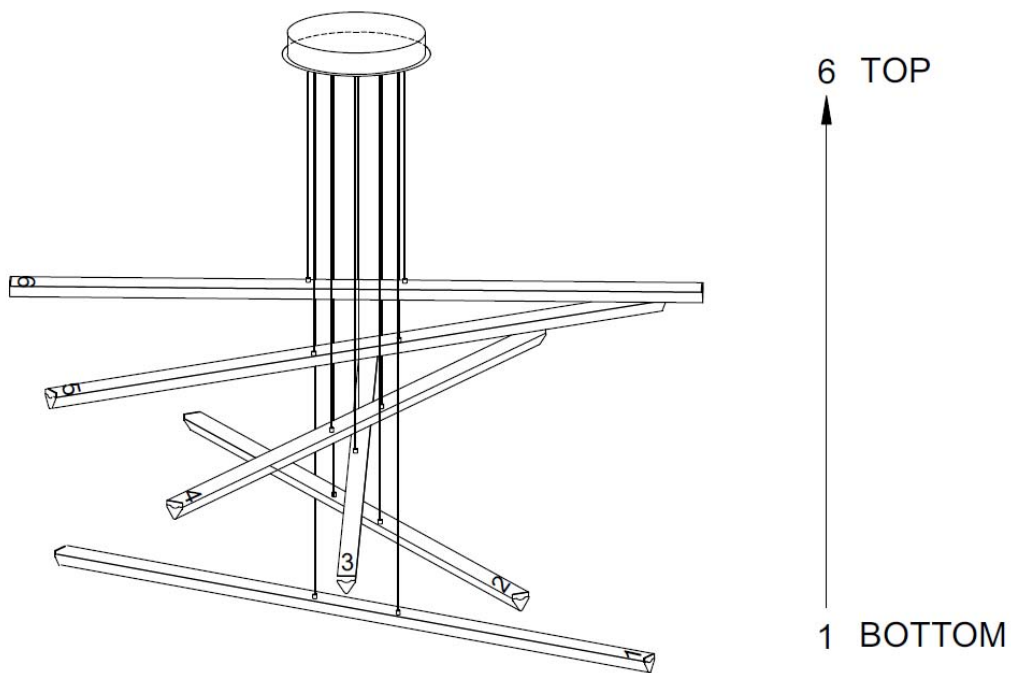


Junction Box Screw
Qty: 2pcs+1 Extra
8#-32×13/16
Nickel Plating



Mounting Screw
Qty: 1 Extra
5/32"-32×1/2
Chrome Plating

FINNAL VIEW



PREPARATION

1. Shut off the power at the circuit breaker and remove existing fixture, including the crossbar.
2. Carefully unpack your new fixture and lay out all the parts on a clear area. Be careful not to lose any small parts necessary for installation. Make sure do not scratch your fixture.
3. **CAUTION: DON'T CUT LOOSE ALL THE WIRE TIE WRAP. READ THE FOLLOWING INSTRUCTIONS BEFORE PROCEEDING.**

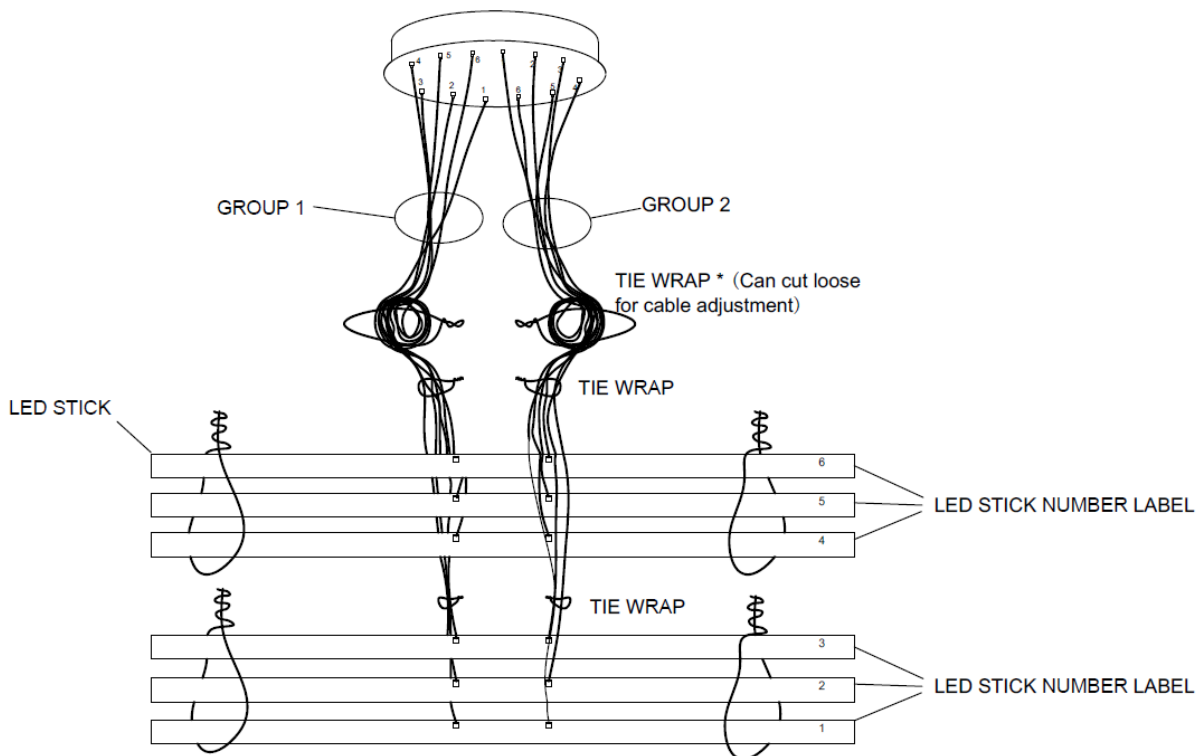


Fig. 1

4. **NOTE:** The order of light stick from top to bottom is 9 to 1.

5. Layout the LED sticks (with the diffuser facing down) on a protective surface and replicate the order in Fig. 1.
6. Sorting the wires into two groups (see Fig. 1). Each group consists of wires from 1 to 6 (no duplicated numbered wire in each group).
7. Adjust these wires in such that wire cables near labeled end are **ABOVE** the LED stick and the other end are underneath all LED stick (as shown in Fig. 2).
8. Make sure there is **NO WIRE CROSSING** between wires groups (see Fig. 2).

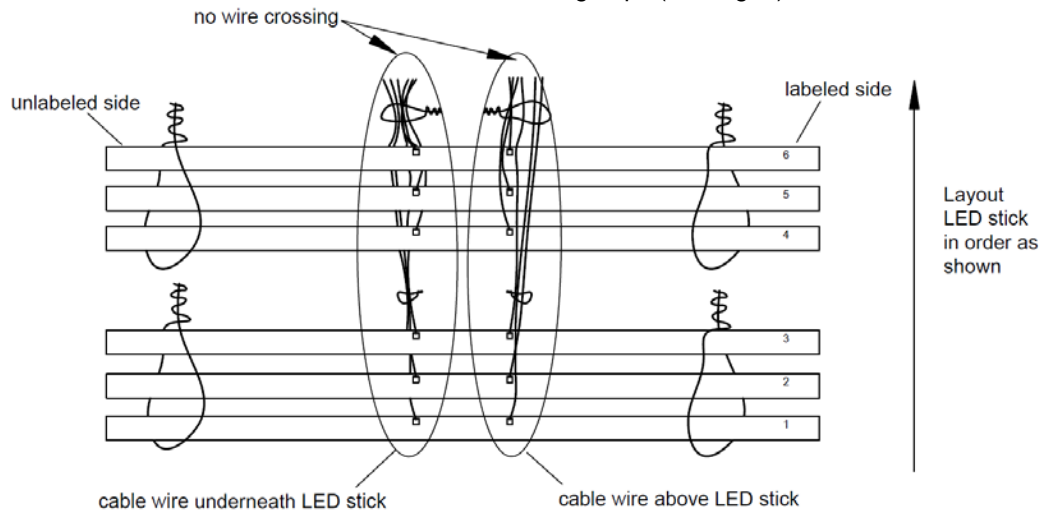


Fig. 2

MOUNTING THE FIXTURE/ CONNECTING THE WIRE

1. Remove the mounting screw (C) from the canopy (see Fig. 3). Secure the mounting back plate to the junction box using junction box screws (B). The side of the mounting back plate marked "GND" must face out.

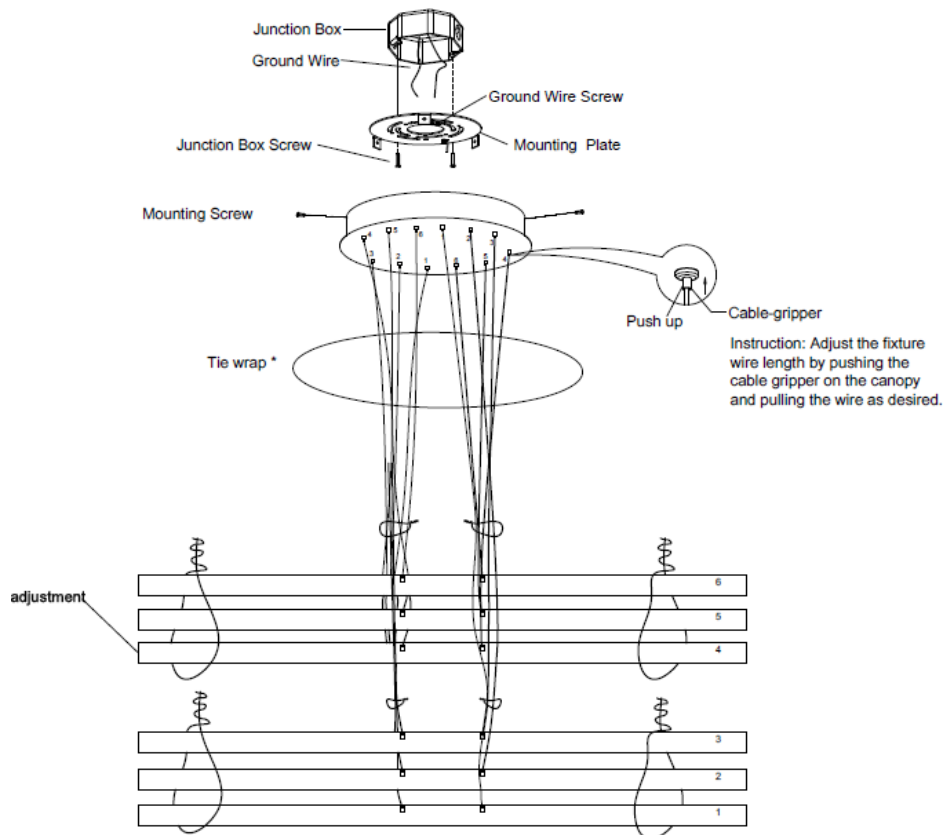


Fig. 3

2. Cut loose the wires' tie wrap* (as shown in Fig. 3).
3. Adjust these wires to the desire length to get them to approximate final position while keeping all wire cables in previous arrangements. Make sure the paired numbered wires are adjusted to about the same length.
4. Properly bundle up excess cables and place them accordingly within the canopy to ease the later installation.
5. Properly secure the safety rope to the bracket on mounting back plate to temporary hang the fixture in place.
WARNING: All wires can be cut short by professional electrician or with proper knowledge of rewiring. However, any modifications made to the fixture will result in voiding the warranty of the product. Make sure to seek the professional help if wires alterations are needed.
6. Wires that are field cut must be stripped to the innermost stranded conductor and grouped in a configuration identical to the state before being cut, to ensure proper electrical connection.
7. Connect the driver's input wires to junction box wires as shown in (Fig. 4), making sure that all wire connectors (A) are secured. If your outlet box has a green or bare copper ground wire, connect the fixture's ground wire to it. Otherwise, connect the fixture's ground wire directly to the back plate using the green screw provided. After wires are connected, tuck them carefully inside the junction
8. This fixture features electronic low voltage (ELV or TRAIC) or 0-10V dimming capabilities. See notes below for specific dimming wires information.

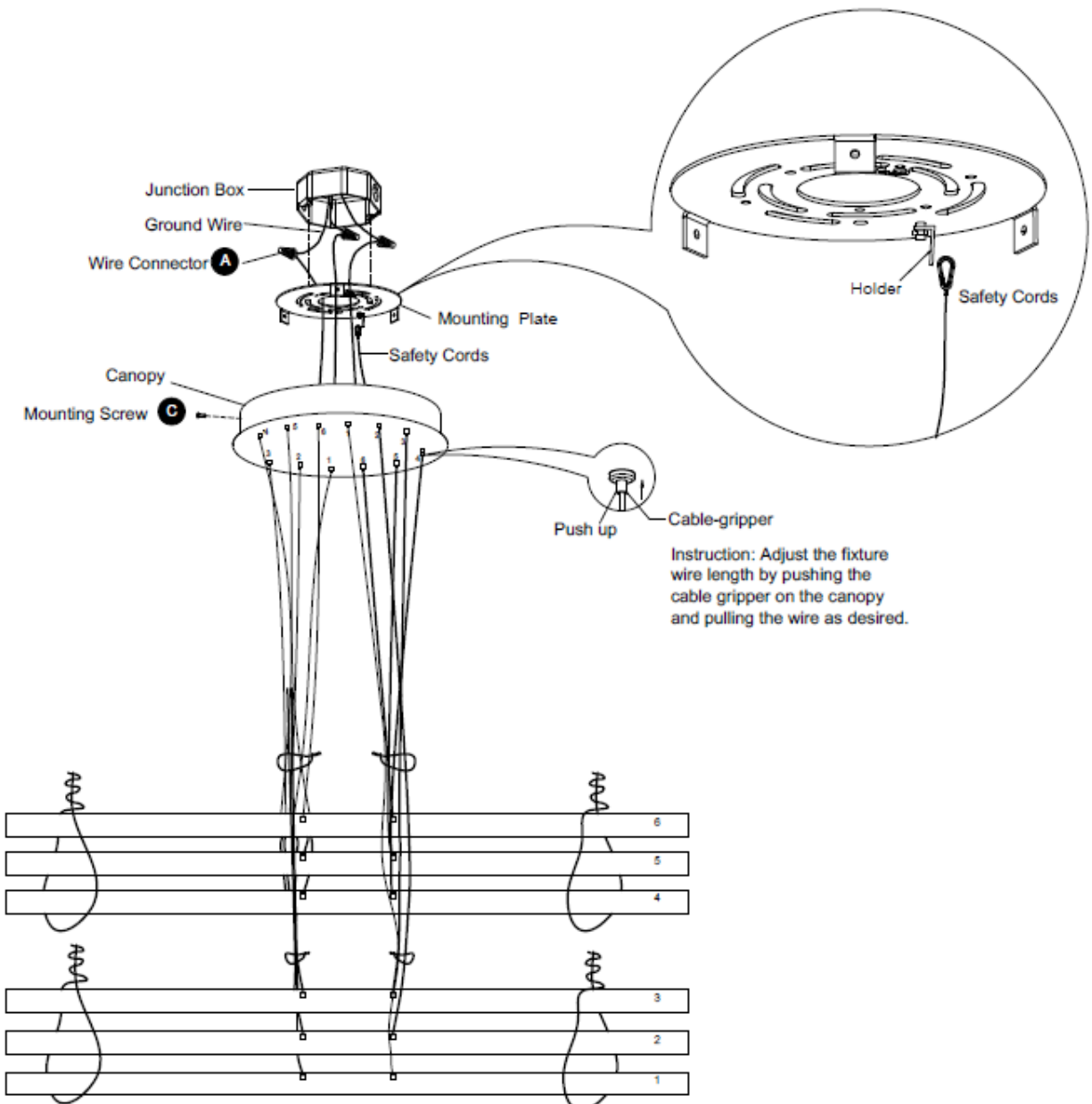


Fig. 4

9. Secure the canopy to the mounting plate using the mounting screw (C).

WAC Lighting

www.waclighting.com

Phone (800) 526.2588 • Fax (800) 526.2585

Headquarters/Eastern Distribution Center

44 Harbor Park Drive • Port Washington, NY 11050

Phone (516) 515.5000 • Fax (516) 515.5050

Western Distribution Center

1750 Archibald Ave • Ontario, CA 91761

Phone (800) 526.2588 • Fax (800) 526.2585



10. Cut loose all remaining cable tie wraps and allow the LED stick to slow settle into position.
11. Make additional wires length adjustment to create a desired look (Fig. 5).

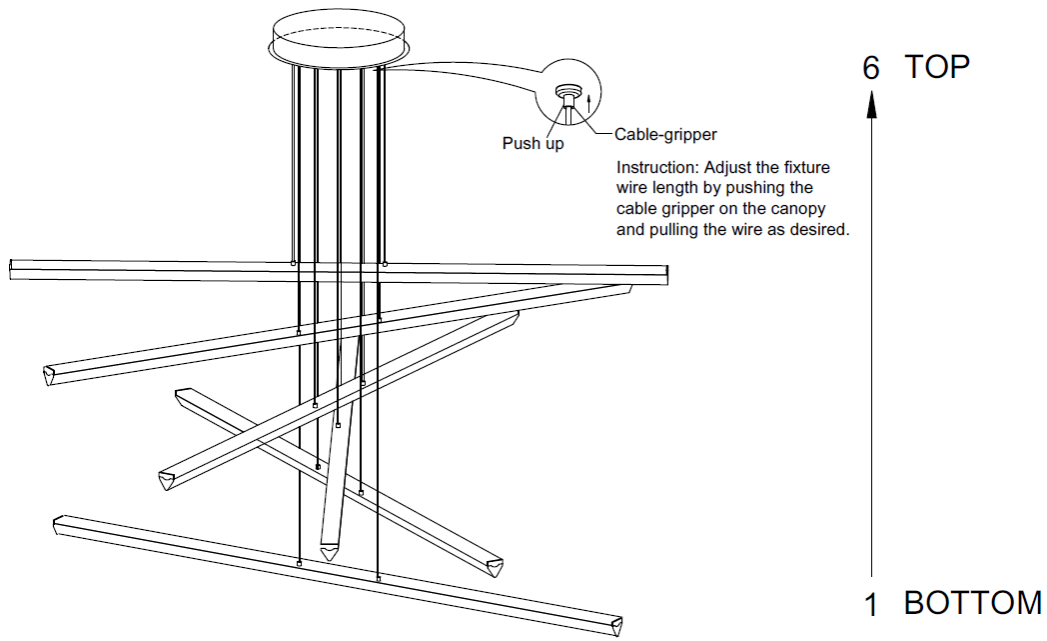


Fig. 5

12. **NOTE:** If all the wire cables are tangled up, repeat steps 5 to 8 under the **PREPARATION** section to untangle all the wires.

NOTE: DIMMING WIRING INFORMATION (Fig. 6)

- To utilize ELV or TRAIC dimming: use wires black (hot), white (neutral) and bare copper ground wire (ground).
- To utilize 0-10V dimming: use wire purple (dim+), gray (dim-), black (hot), white (neutral) and bare copper ground wire (ground).

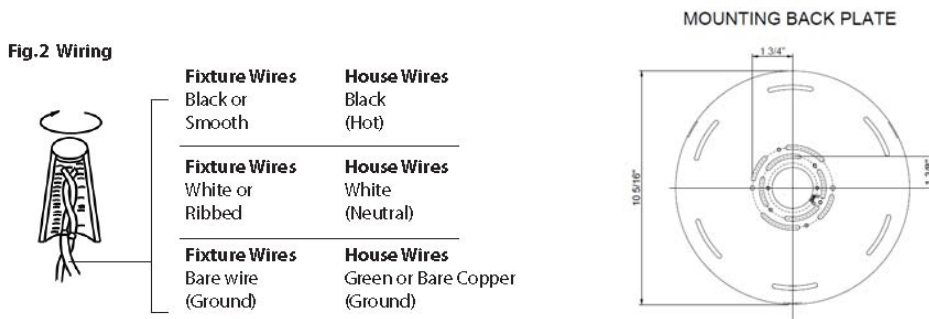
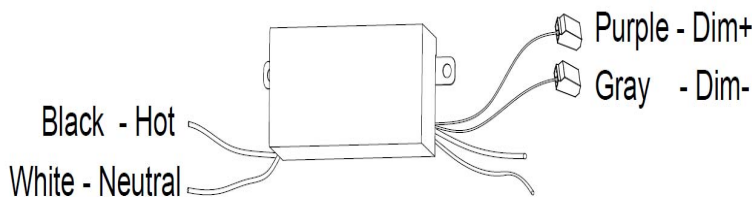


Fig. 6



WARNING

IMPORTANT: NEVER attempt any work without shutting off the electricity.

- Read all instructions before installing.
- System is intended for installation by a qualified electrician in accordance with the National Electrical Code and local regulations.
- Go to the main fuse box, or circuit breaker. Place the main power switch in the "OFF" position and unscrew the fuse(s) or switch "OFF" the circuit breaker switch(es) that control the power to the fixture or room that you are working on.
- Place the wall switch in the "OFF" position.

CAUTION

- All parts must be used as indicated in these instructions. Do not substitute any parts, leave parts out, or use any parts that are worn out or broken. Failure to follow this instruction could invalidate the ETL/CETL listing of this fixture.
- When handling the fixture, do not apply pressure to the LEDs. Hold the fixture by the base only.

AVERTISSEMENT

IMPORTANT : Coupez l'électricité avant TOUTE manipulation.

- Lisez toutes les instructions avant d'installer.
- Système est destiné à être installé par un électricien qualifié en conformité avec le code national de l'électricité et les règlements locaux. Accédez au panneau central de disjoncteurs ou de fusibles de votre demeure et placez l'interrupteur principal en position d'arrêt (« OFF »).
- Placez l'interrupteur mural en position d'arrêt (« OFF »).

MISE EN GARDE

- Toutes les pièces doivent être utilisées tel qu'il est indiqué dans ces instructions. Ne remplacez pas les pièces, n'en laissez pas de côté et ne les utilisez pas si elles sont usées ou brisées. Le non-respect de ces instructions peut annuler l'homologation ETL/CETL du luminaire.
- Ors de la manipulation de l'appareil, ne pas appliquer de pression à la LED, tenir l'appareil par la seule base.

ADVERTENCIA

IMPORTANTE: NUNCA intente hacer trabajos sin desconectar el suministro eléctrico.

- Lea y comprenda todas las instrucciones e ilustraciones por completo antes de proceder con el ensamblaje e instalación de esta lámpara.
- Sistema está diseñado para ser instalado por un electricista calificado, de acuerdo con el código eléctrico nacional y las normas locales.
- Diríjase a la caja de fusibles o a la caja del interruptor de circuito principal en su hogar. Coloque el interruptor de alimentación principal en la posición "OFF" (APAGADO).
- Coloque el interruptor de la pared en la posición "OFF" (APAGADO).

PRECAUCIÓN

- Todas las piezas deben usarse como lo indican estas instrucciones. No reemplace las piezas, noomita piezas durante la instalación ni utilice piezas gastadas o rotas. El incumplimiento de esta indicación podría invalidar la calificación ETL/CETL esta lámpara.
- Al manipular el aparato, no aplique presión a los LED, mantenga el aparato en la base sólo.

Hardware



Wire Connector
Qty: 3pcs+1 Extra
P3

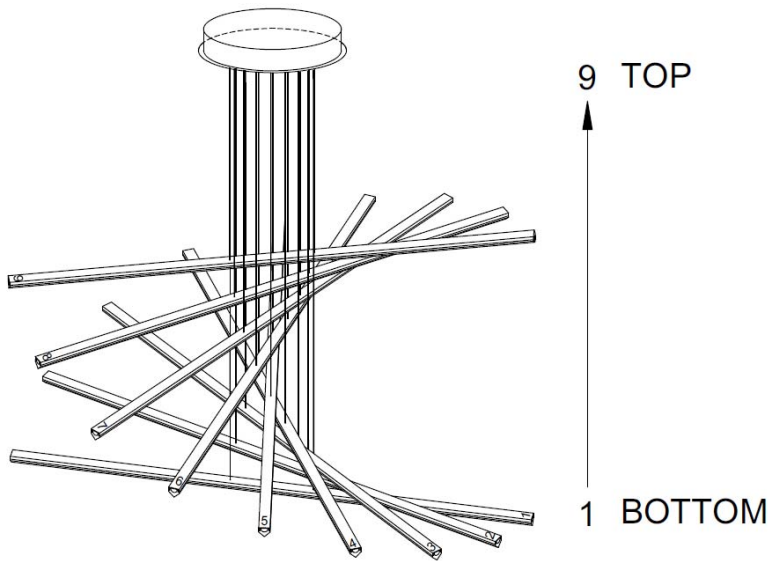


Junction Box Screw
Qty: 2pcs+1 Extra
8#-32x13/16



Mounting Screw
Qty:1 Extra
5/32"-32x1/2

FINNAL VIEW



PREPARATION

1. Shut off the power at the circuit breaker and remove existing fixture, including the crossbar.
2. Carefully unpack your new fixture and lay out all the parts on a clear area. Be careful not to lose any small parts necessary for installation. Make sure do not scratch your fixture.
3. **CAUTION: DON'T CUT LOOSE ALL THE WIRE TIE WRAP. READ THE FOLLOWING INSTRUCTIONS BEFORE PROCEEDING.**

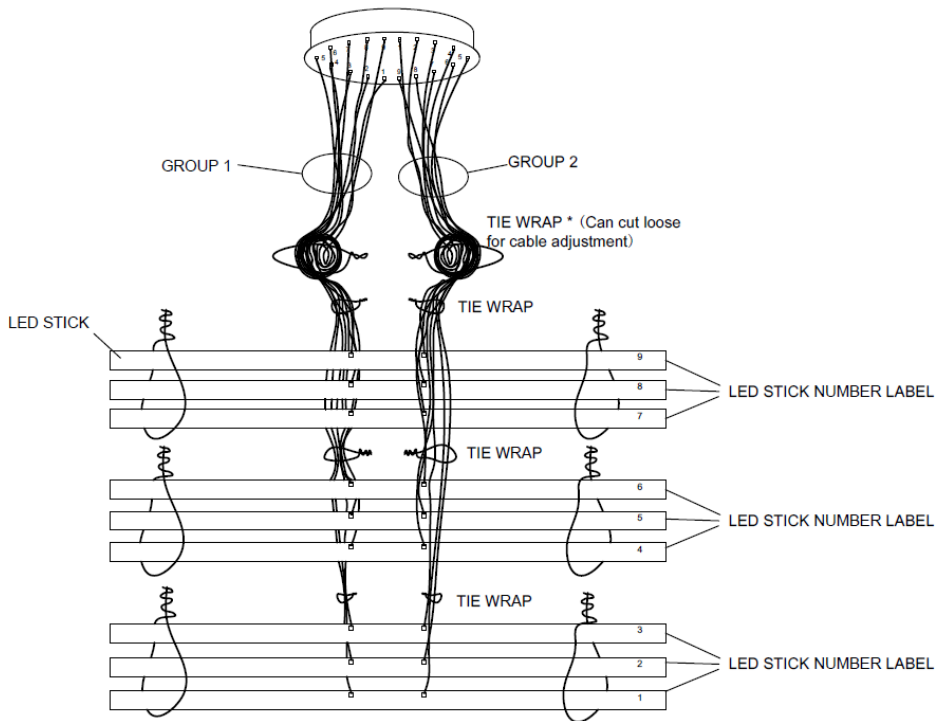


Fig. 1

4. **NOTE:** The order of light stick from top to bottom is 9 to 1.
5. Layout the LED sticks (with the diffuser facing down) on a protective surface and replicate the order in Fig. 1.
6. Sorting the wires into two groups (see Fig. 1). Each group consists of wires from 1 to 9 (no duplicated numbered wire in each group).
7. Adjust these wires in such that wire cables near labeled end are **ABOVE** the LED stick and the other end are underneath all LED stick (as shown in Fig. 2).

8. Make sure there is **NO WIRE CROSSING** between wires groups (see Fig. 2).

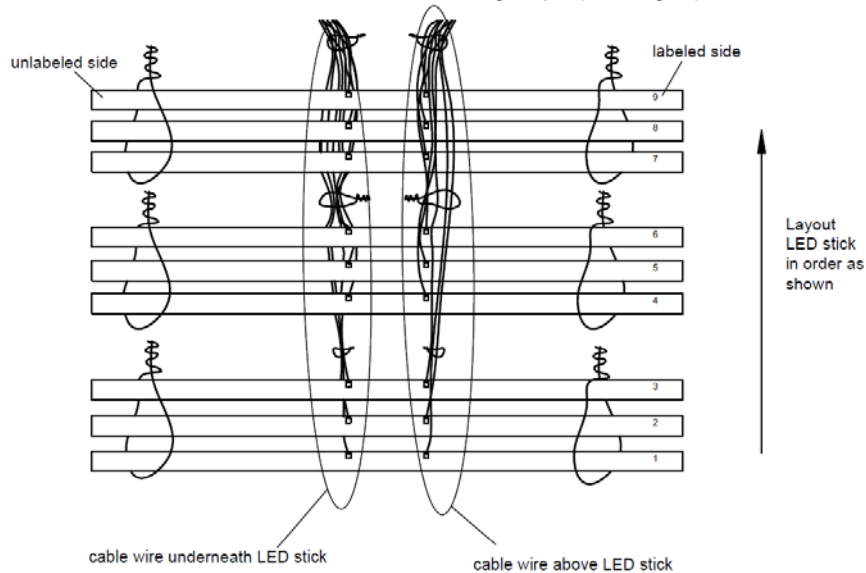


Fig. 2

MOUNTING THE FIXTURE/ CONNECTING THE WIRE

1. Remove the mounting screw (C) from the canopy (see Fig. 3). Secure the mounting back plate to the junction box using junction box screws (B). The side of the mounting back plate marked "GND" must face out.

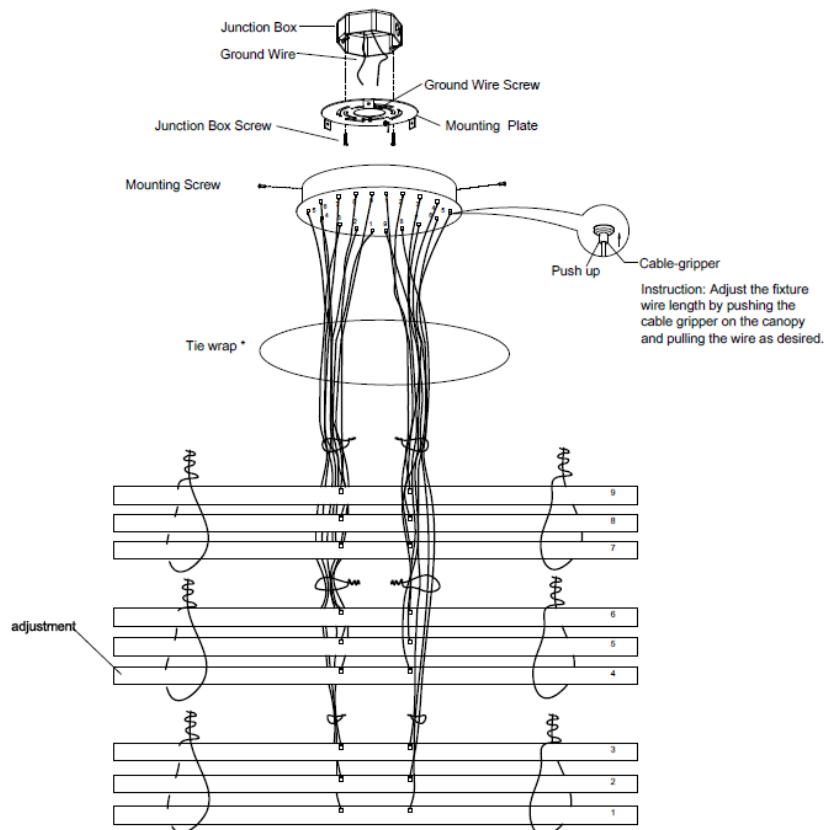


Fig. 3

2. Cut loose the wires' tie wrap* (as shown in Fig. 3).
3. Adjust these wires to the desire length to get them to approximate final position while keeping all wire cables in previous arrangements. Make sure the paired numbered wires are adjusted to about the same length.

4. Properly bundle up excess cables and place them accordingly within the canopy to ease the later installation.
5. Properly secure the safety rope to the bracket on mounting back plate to temporary hang the fixture in place.
6. Wires that are field cut must be stripped to the innermost stranded conductor and grouped in a configuration identical to the state before being cut, to ensure proper electrical connection.

WARNING: All wires can be cut short by professional electrician or with proper knowledge of rewiring. However, any modifications made to the fixture will result in voiding the warranty of the product. Make sure to seek the professional help if wires alterations are needed.

7. Connect the driver's input wires to junction box wires as shown in (Fig. 4), making sure that all wire connectors (A) are secured. If your outlet box has a green or bare copper ground wire, connect the fixture's ground wire to it. Otherwise, connect the fixture's ground wire directly to the back plate using the green screw provided. After wires are connected, tuck them carefully inside the junction
8. This fixture features electronic low voltage (ELV or TRAIC) or 0-10V dimming capabilities. See notes below for specific dimming wires information.

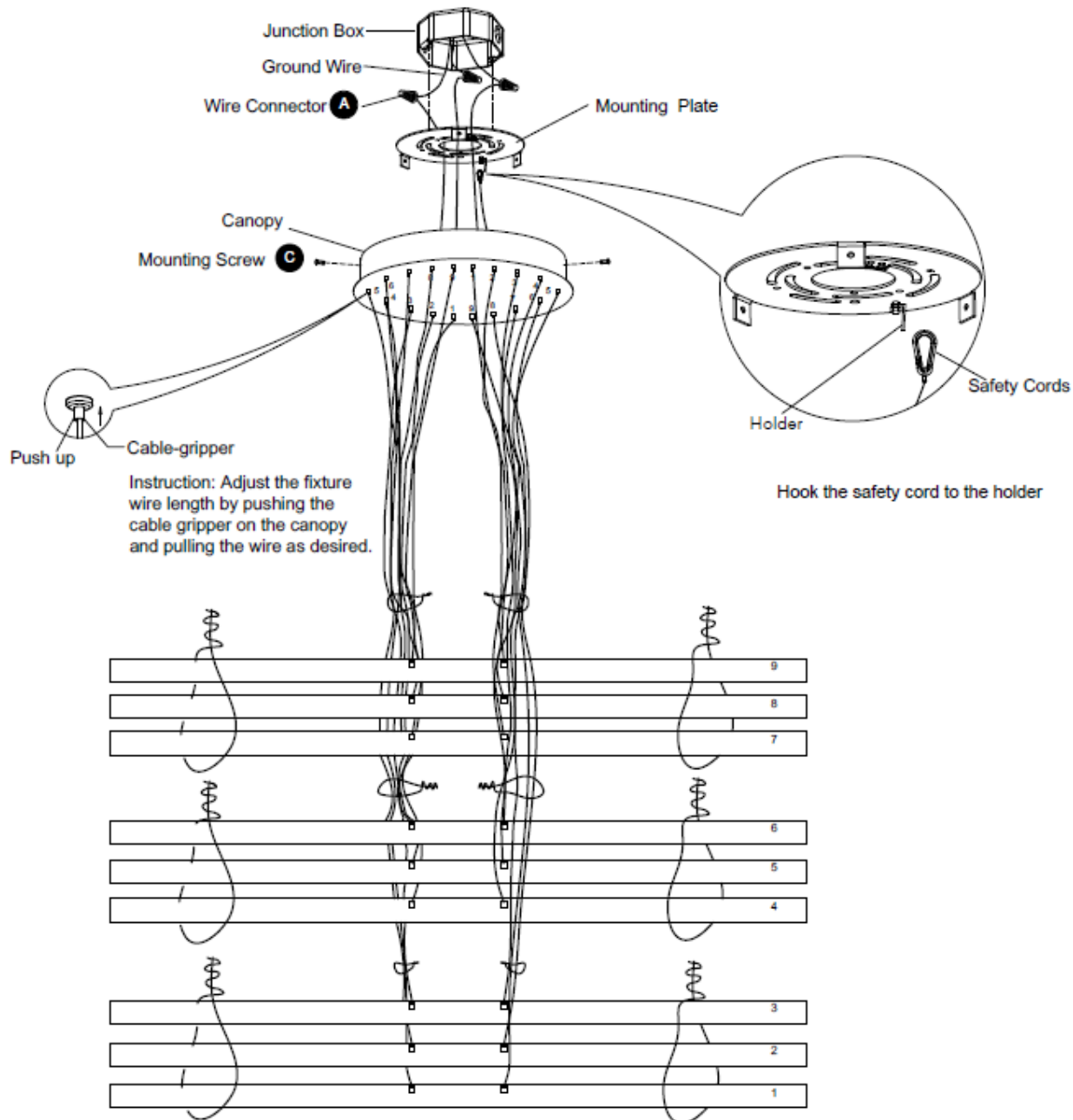


Fig. 4

9. Secure the canopy to the mounting plate using the mounting screw (C).
10. Cut loose all remaining cable tie wraps and allow the LED stick to slowly settle into position.

11. Make additional wires length adjustment to create a desired look (Fig. 5).

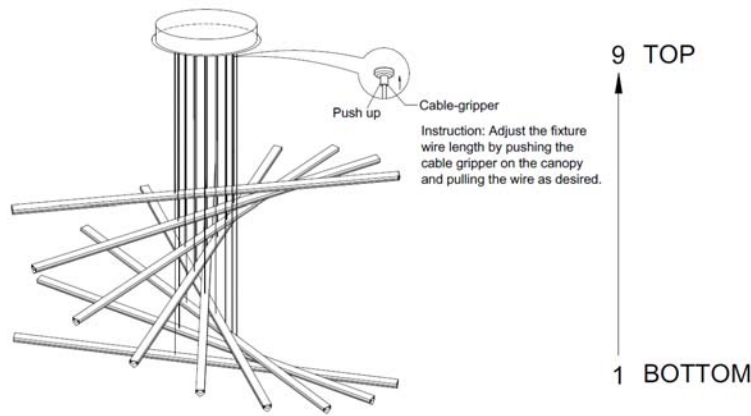


Fig. 5

12. **NOTE:** If all the wire cables are tangled up, repeat steps 5 to 8 under the **PREPARATION** section to untangle all the wires.

NOTE: DIMMING WIRING INFORMATION (Fig. 6)

13. To utilize ELV or TRAIC dimming: use wires black (hot), white (neutral) and bare copper ground wire (ground).

14. To utilize 0-10V dimming: use wire purple (dim+), gray (dim-), black (hot), white (neutral) and bare copper ground wire (ground).

Fig.2 Wiring

	Fixture Wires Black or Smooth	House Wires Black (Hot)
	Fixture Wires White or Ribbed	House Wires White (Neutral)
	Fixture Wires Bare wire (Ground)	House Wires Green or Bare Copper (Ground)

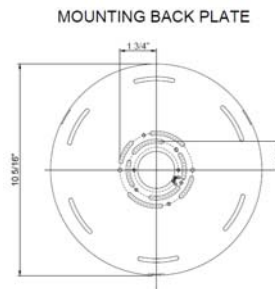


Fig. 6

